



By Sorelle - A Division of C&T International, Inc.  
46 Whelan Road, East Rutherford, N. J. 07073 U. S. A.  
Tel, +1(201)531 1919 Fax, +1(201)531 1920

**READ ALL INSTRUCTIONS BEFORE ASSEMBLING AND USE OF PRODUCTS**

**KEEP FOR FUTURE USE** RETAIN THESE INSTRUCTION SHEETS AND PRODUCTS ASSEMBLY TOOLS IN THE ORIGINAL SACK AND SECURE IT TO THE SPRING UNDER THE MATTRESS WITH PLASTIC TIES.

**⚠ WARNING:** Infants can suffocate on soft bedding. never add a pillow, comforter or padding.

**TODDLER BED WARNINGS**

**⚠ WARNING -** Failure to follow these warnings and assembly instructions could result in serious injury or death.

- The mattress intended for use on the bed shall be a full size crib mattress having minimum dimensions of 51 5/8 in. (1310 mm) in length and 27 1/4 in. (690 mm) in width and 4 in. (100 mm) in thickness, or greater thickness as specified by the manufacturer.
- The minimum age for a child using this toddler bed shall not be less than 15 months and the maximum weight shall not be greater than 50 lbs. (22.7 kg).
- DO NOT use with less than 12 inches of space between the transitional bed and solid objects such as a wall or dresser. Child could slide into smaller spaces and suffocate.
- DO NOT place bed near window where cords from blinds or drapes may strangle a child. Child may fall out of window.
- Strings can cause strangulation! DO NOT place items with a string around a child's neck, such as hood strings or pacifier cords. DO NOT suspend strings over a crib or attach strings to toys.
- DO NOT use a water mattress.
- DO NOT use casters on toddler bed.
- If guardrail(s) provided must be used to avoid the formation of a gap between the mattress and the bed that could cause an entrapment.

**CAUTION: ANY MATTRESS USED IN THIS CRIB MUST BE AT LEAST 27 1/4" (69CM) x 51 5/8" (131 CM) WITH A THICKNESS NOT EXCEEDING 6" (15CM).**

- Ensure a safe environment for your child by checking regularly, (that every component is properly and securely in place) before placing your child in the crib. Make sure that all bolts and fasteners are tight.

Please make sure that you are going to transfer below product (Fig.1) to a toddler bed.

Item no., 1050

Product name: TUSCANY/PRINCETON CRIB N' CHANGER

You can find the item no. and product name from the packaging carton or the sticker which is affixed to the mattress support.

Fig. 1



## TODDLER BED ASSEMBLY

**WARNING:** PLEASE DO NOT TIGHTEN THE BOLTS IN ASSEMBLY PROCESS!

1. Before Mini Rail assembly, please Remove front side rail and related parts as per below ( Fig 2), Then assembly toddler rail(A) by 3 bolts(B) and 4 bolts(C) & 4 barrel nuts (D) as per below (Fig 3), MATTRESS SUPPORT MUST BE IN THE **LOWEST POSITION**
2. Store crib front side rail and balance hardware together in a safe place.

Fig. 2

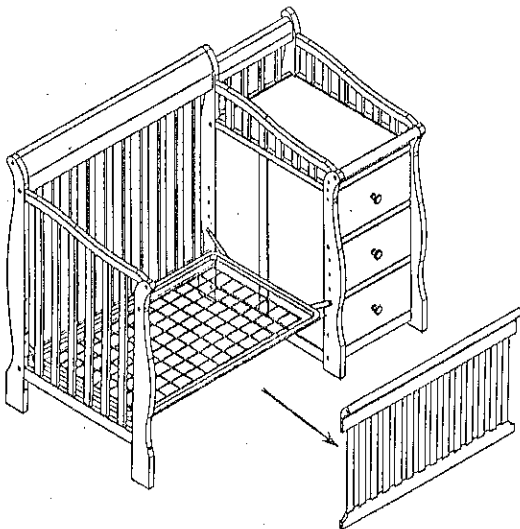
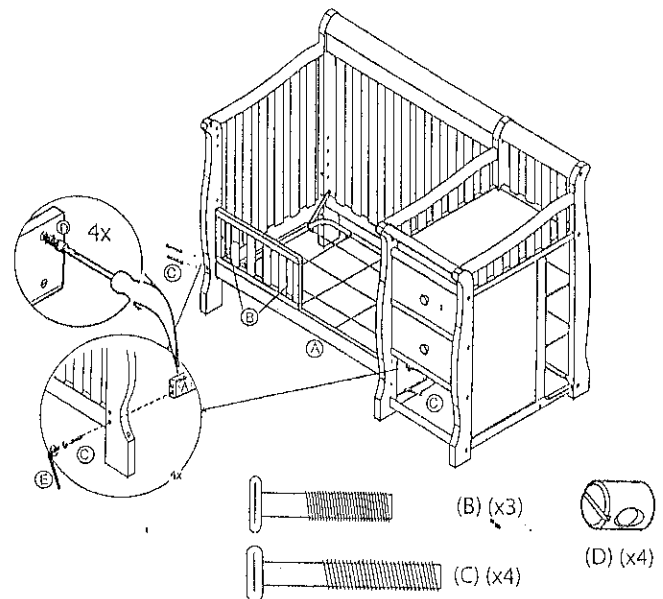


Fig. 3



## FINALLY CHECK

- PRIOR TO USING THE TODDLER BED, **ENSURE** ALL BOLTS ARE TIGHTENED. **DO NOT OVER TIGHTEN.**
- ENSURE THAT THE MATTRESS IS THE RECOMMENDED SIZE.
- TODDLER BED IS NOW READY FOR USE.

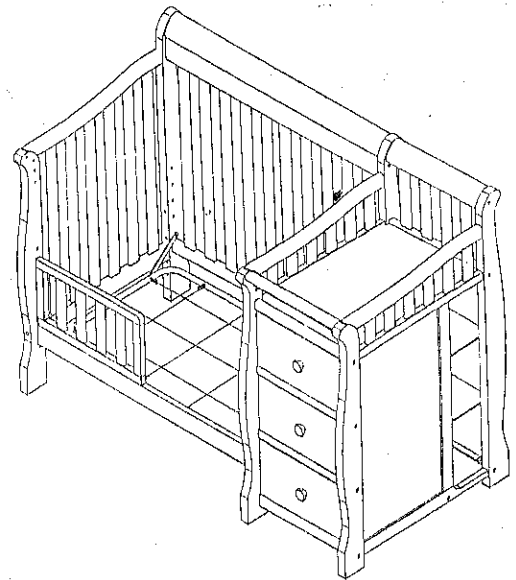
## CLEANING & MAINTENANCE

- ALWAYS STORE THE TODDLER BED IN A CLEAN AND DRY PLACE.
- TO CLEAN YOUR TODDLER BED, USE A SOFT DAMP CLOTH WITH A SMALL AMOUNT OF MILD SOAP, WIPE IMMEDIATELY WITH A DRY CLOTH.
- DO NOT USE ABRASIVES OR DETERGENT ON TODDLER BED SURFACES.
- REGULARLY CHECK ALL SCREWS AND FITTINGS TO ENSURE THEY ARE TIGHT.
- THE IDEAL BALANCE IS TO MAINTAIN THE TEMPERATURE AROUND 21°C (70°F) AND THE RELATIVE HUMIDITY AT 40% TO PREVENT WARPING OR SPLITTING.

### Assembly Instructions

#### Parts List

No	Qty	Description
A	1	Toddler rail
B	3	Bolt 40mm (1 9/16", 12mm head)
C	4	Bolt 65mm (2 9/16", 12mm head)
D	4	Barrel Nuts
E	1	Allen key



Toddler Bed(assembled)



ⓑ  
3x



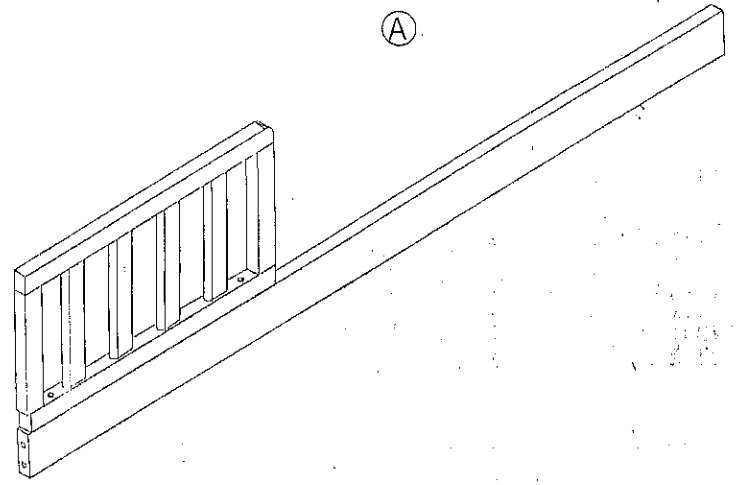
ⓒ  
4x



ⓓ  
4x



ⓔ  
1x



Ⓐ

