

C&T International Inc.

46 Whelan Road
East Rutherford, NJ 07073

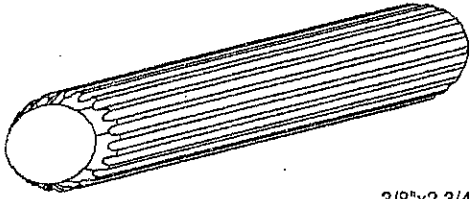
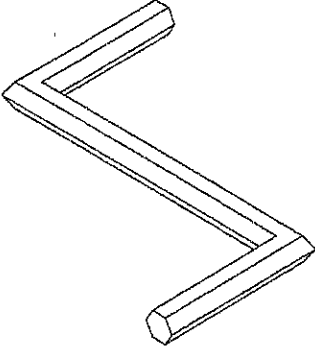

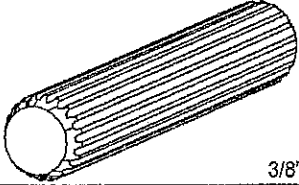
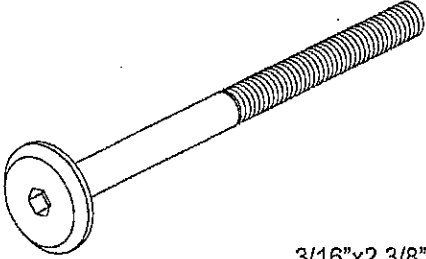
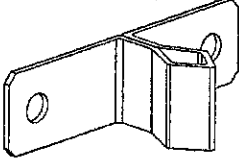


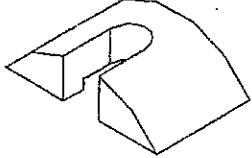
#214 RAILS

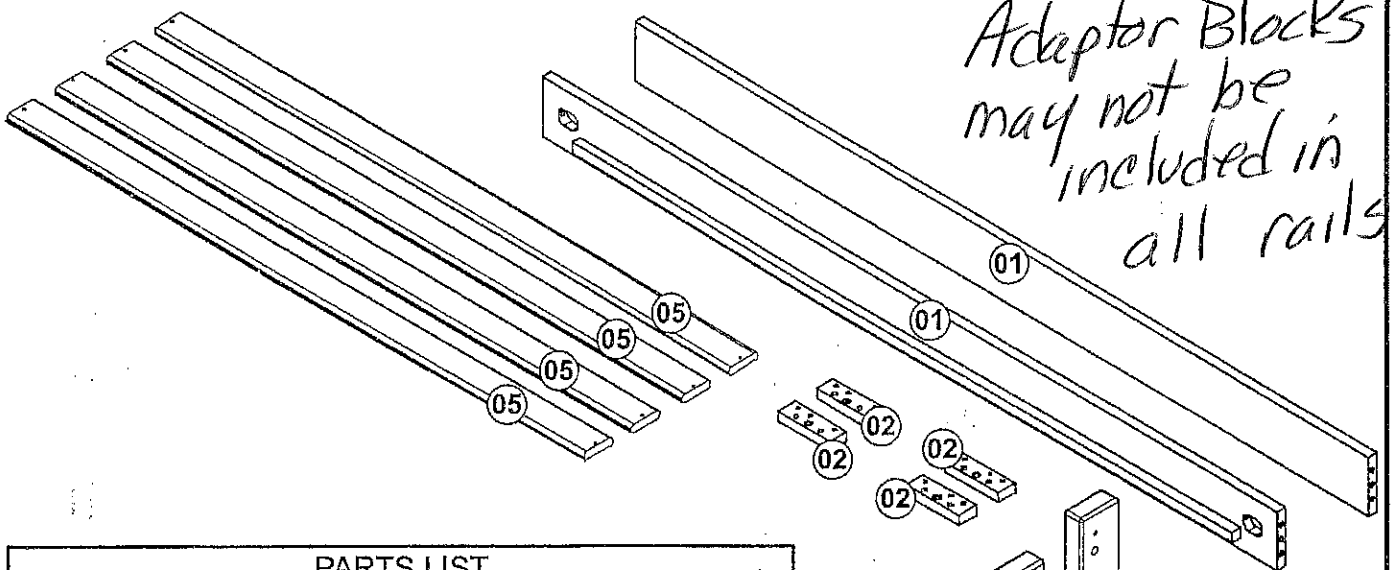
ASSEMBLY INSTRUCTIONS

INSTRUCCIONES DE ASSEMBLAJE

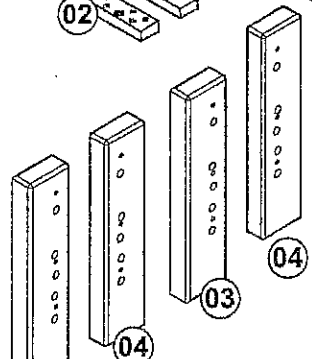
Thank you for selecting a C&T product. To ensure the best performance from your crib, please read these instructions carefully. Carefully remove and lay out all parts. Familiarize yourself with all Diagrams. Hardware enclosed in hardware bag should correspond with hardware list. Be sure all are included and quantities are correct.

HARDWARE LIST

A	 <p style="text-align: right; font-size: small;">3/8"x2 3/4"</p>	08		F		01
B	 <p style="text-align: right; font-size: small;">3/16"x1 3/8"</p>	08		G	 <p style="text-align: right; font-size: small;">3/8"x1 1/2"</p>	08
C	 <p style="text-align: right; font-size: small;">3/16"x2 3/8"</p>	04		H		04
D	 <p style="text-align: right; font-size: small;">3/16"x1 9/16"</p>	20		I	 <p style="text-align: right; font-size: small;">1/8"x5/8"</p>	08
E		04				

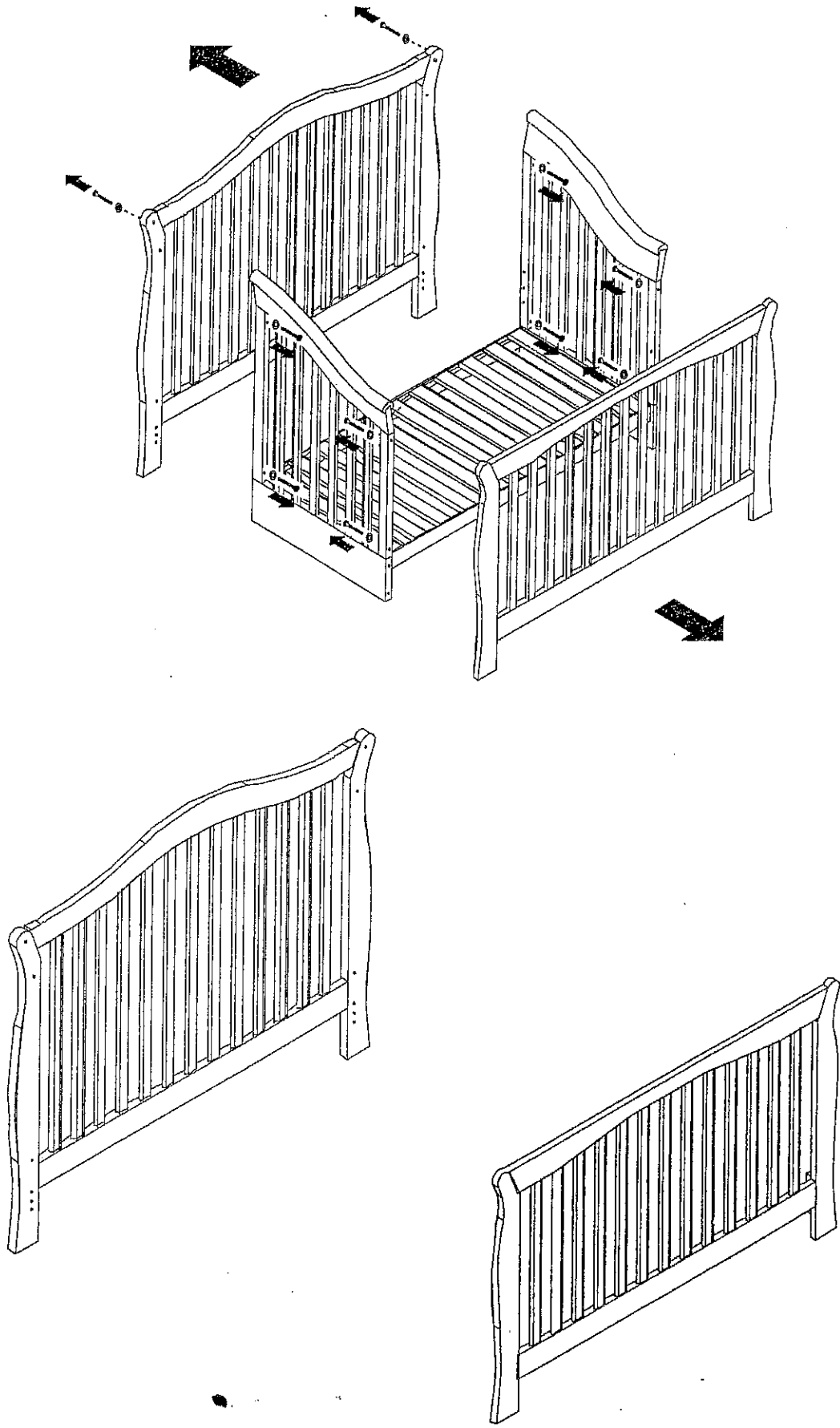


PARTS LIST	
01	SIDE RAILS
02	ADAPTOR TO ITALIAN MADE CRIB
03	LEFT ADAPTOR TO [REDACTED] AND VICK CRIB
04	RIGH ADAPTOR TO [REDACTED] AND VICK CRIB
05	PLATE



Step 01

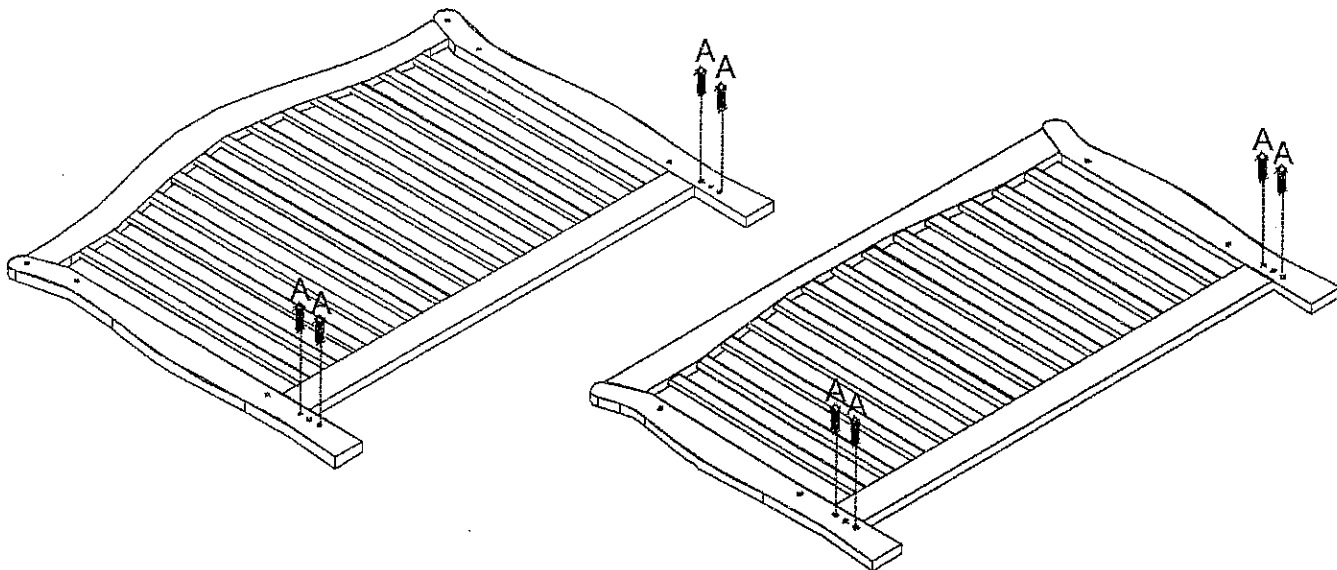
UNASSEMBLE YOUR CRIB AS BELOW:
(CRIB DRAWING AS ILLUSTRATION ONLY).



IF YOUR FURNITURE IS A VICK CRIB OR CAROLINE CRIB GO TO STEP 08 :

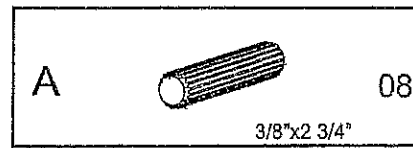
IF YOUR FURNITURE IS A CHANTELLY CRIB OR MISSIONE CRIB GO TO STEP 12 :

Step 02

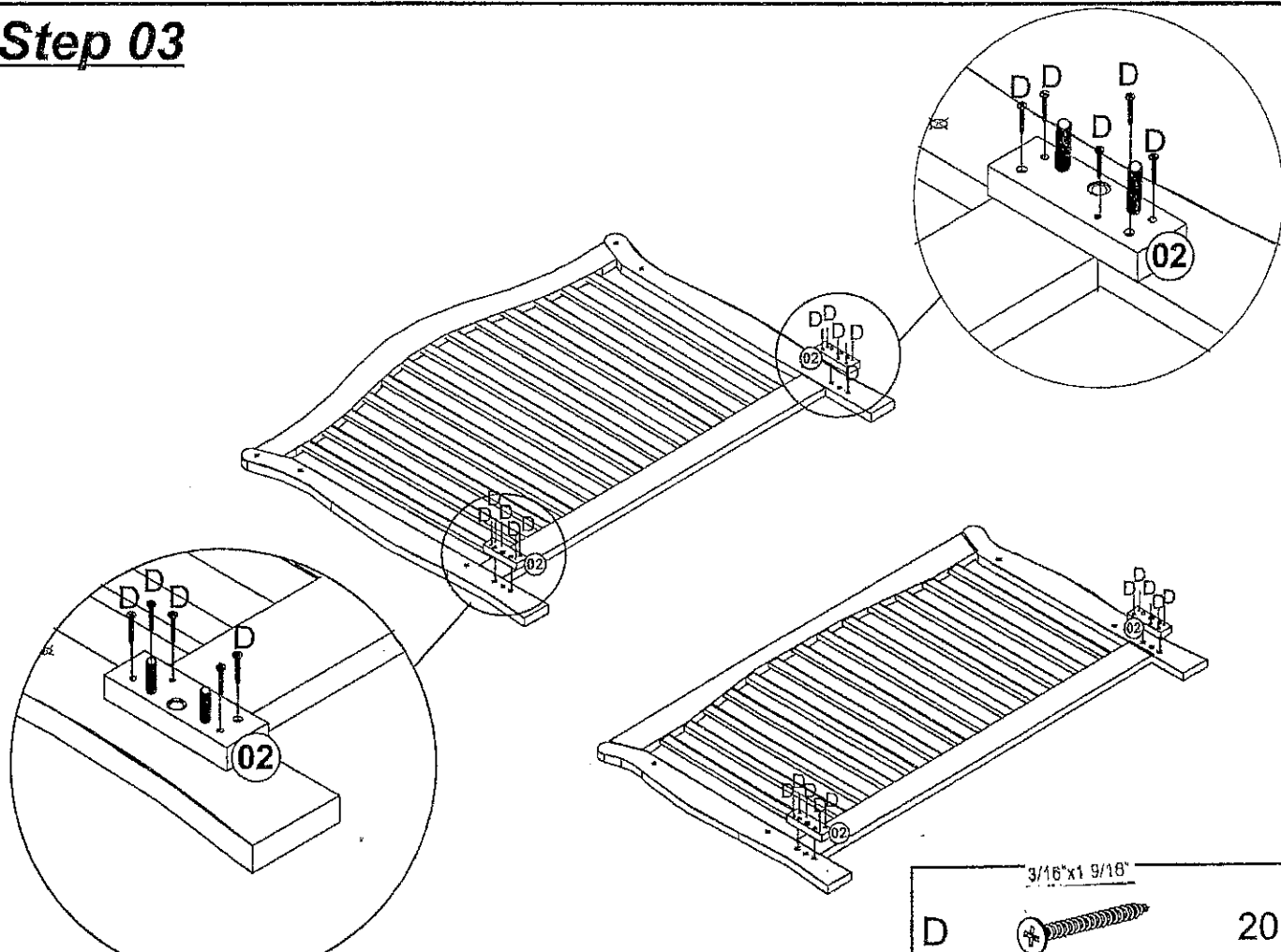


IF YOUR CRIB WAS MADE IN ITALY (SEE MANUFACTURER LABEL)
YOU WILL NEED TO USE THE PROVIDED ADAPTOR (PARTS 2) WITH
THE SIDE RAILS AND GO TO STEP 3.

IF YOUR CRIB WAS MADE IN BRAZIL (SEE MANUFACTURER LABEL)
YOU WILL NOT NEED TO USE THE ADAPTOR. GO DIRECTLY TO STEP 5.

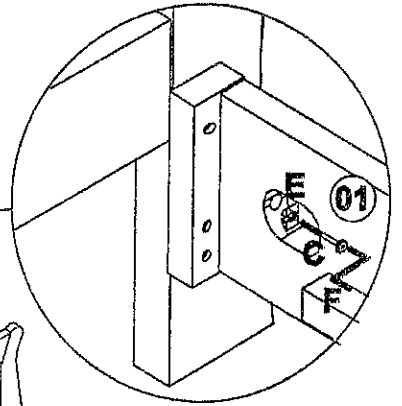
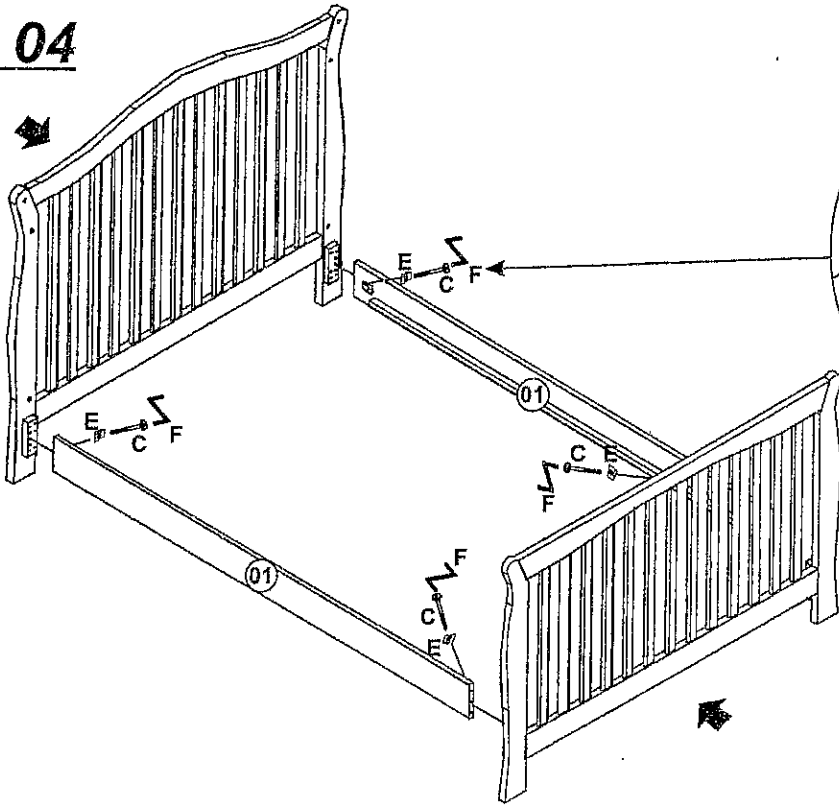


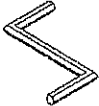


Step 03



Step 04

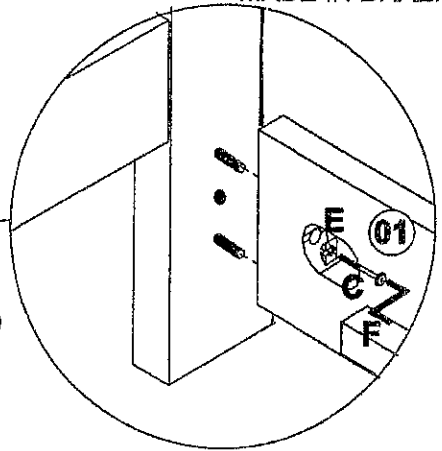
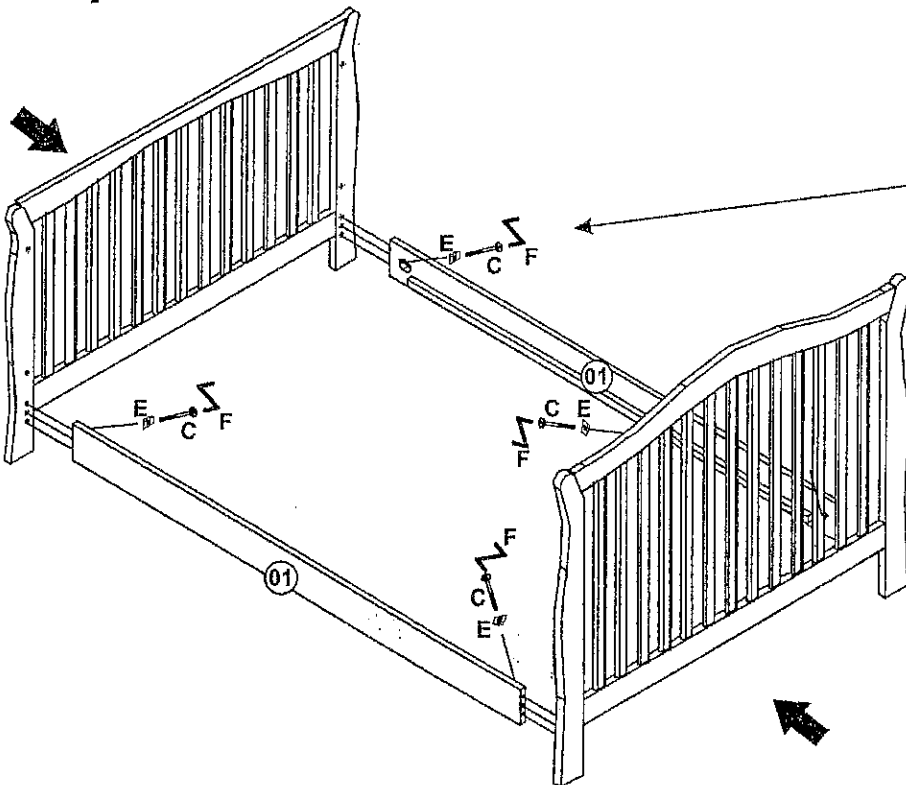
GO TO STEP 6.






F		01	C		04	E		04
					3/16"x2 3/8"			

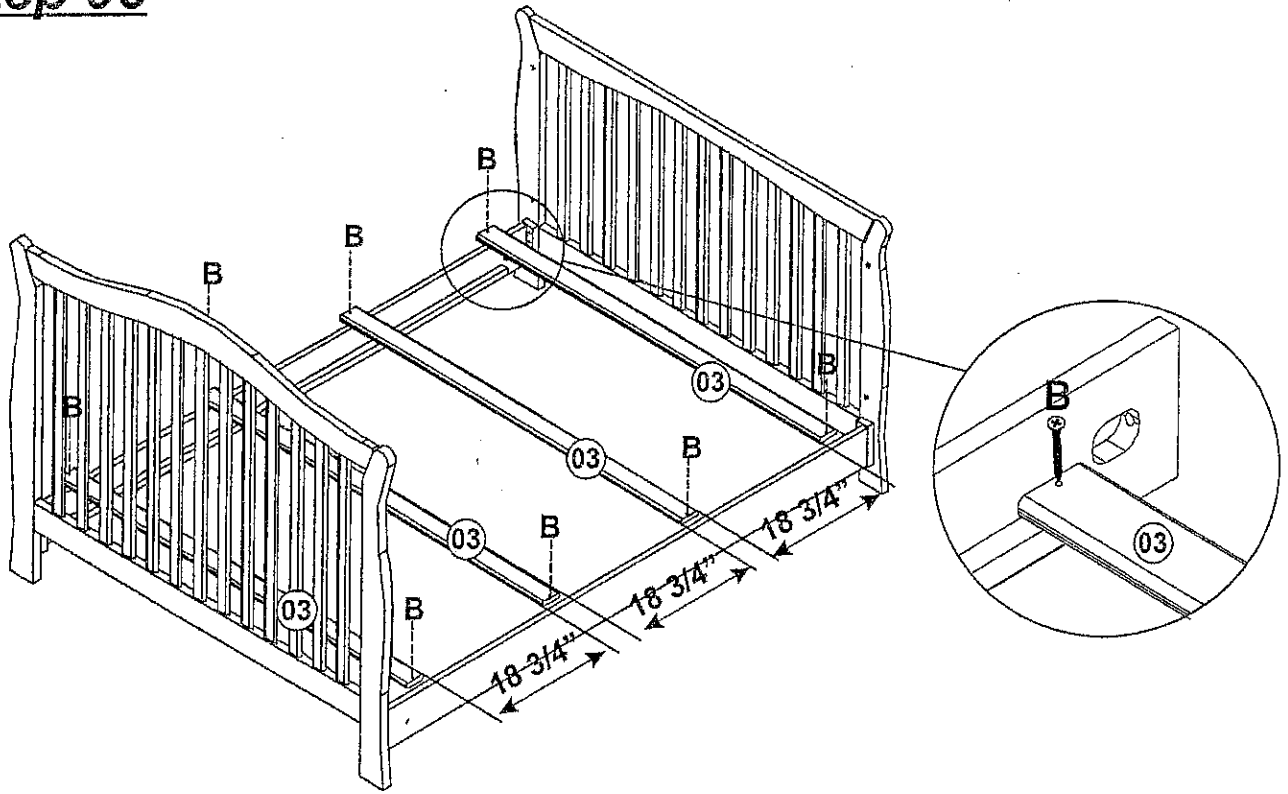
Step 05


MADE IN BRAZIL



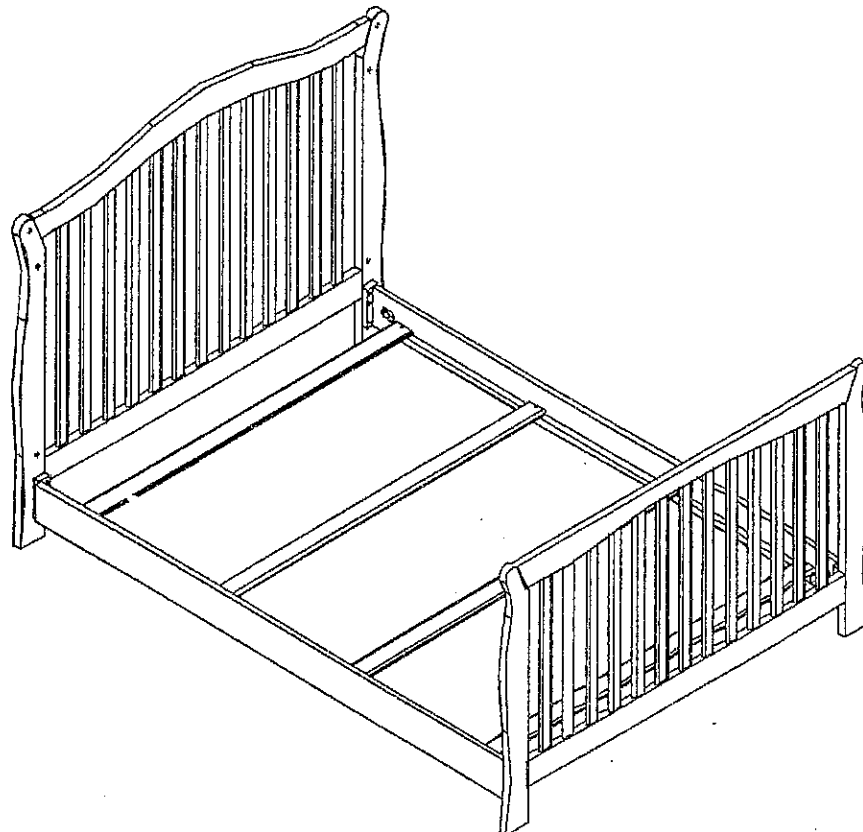
F		01	C		04	E		04
					3/16"x2 3/8"			

Step 06



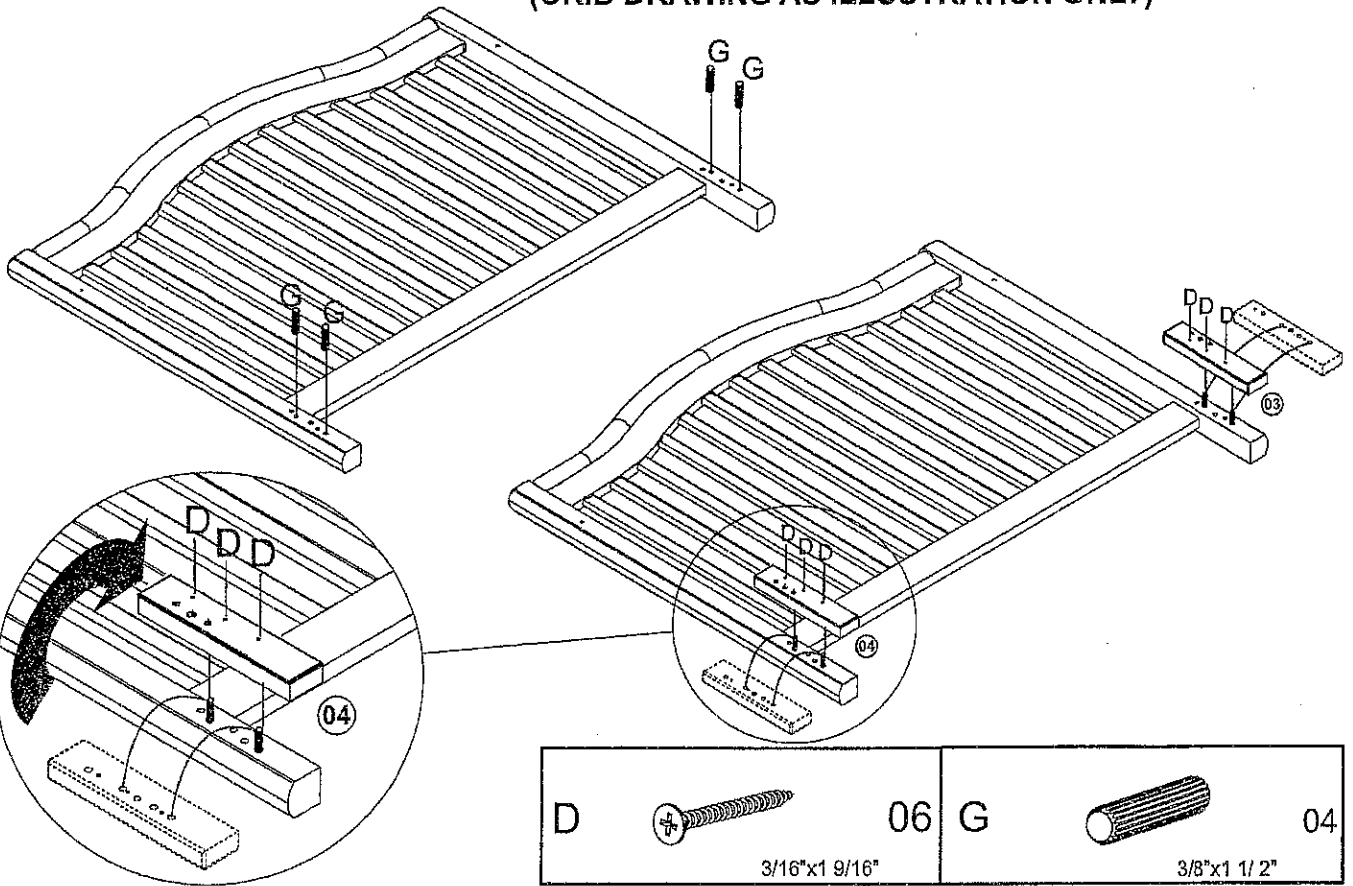
B		08
3/16"x1 3/8"		

Step 07

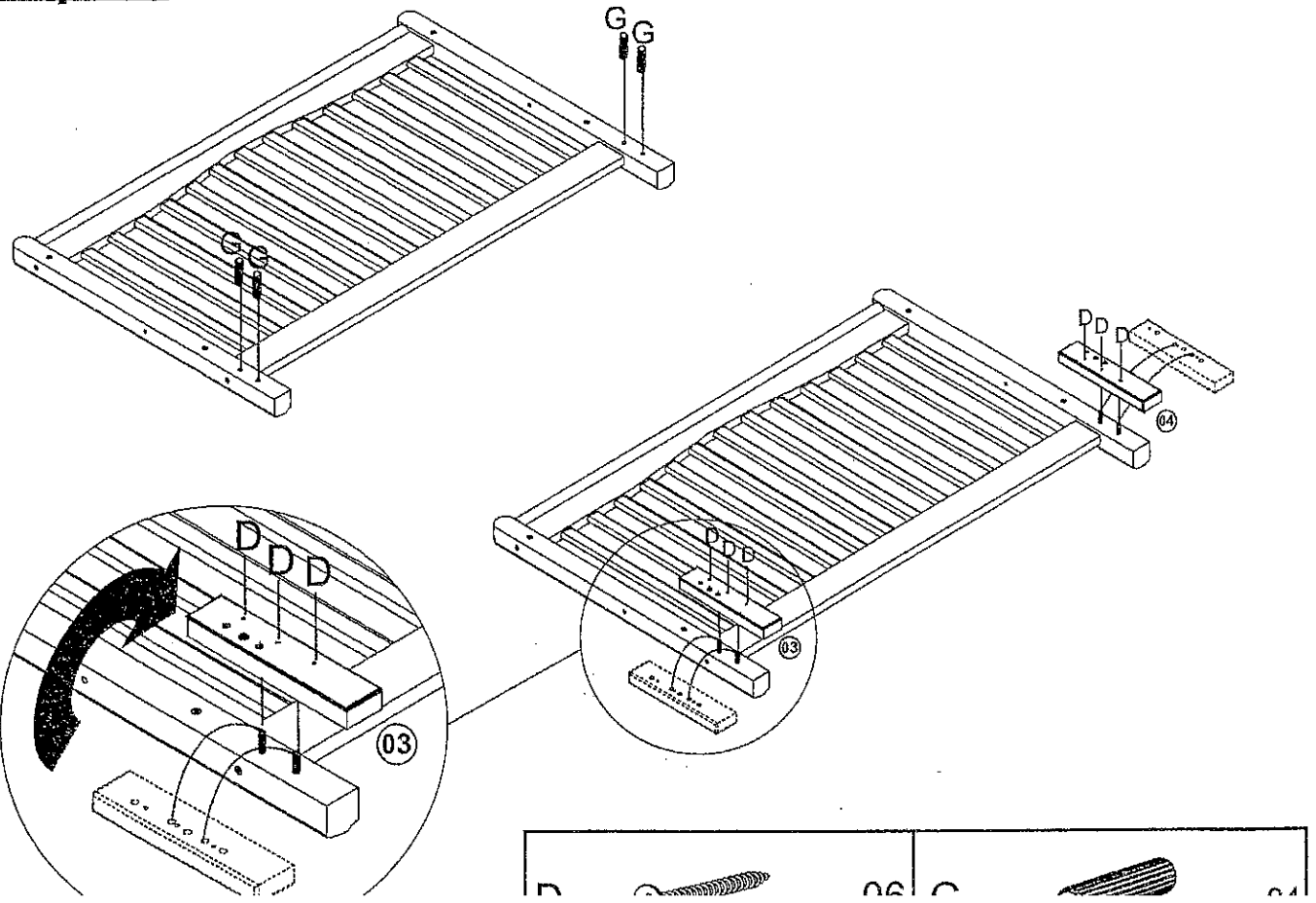


Step 08

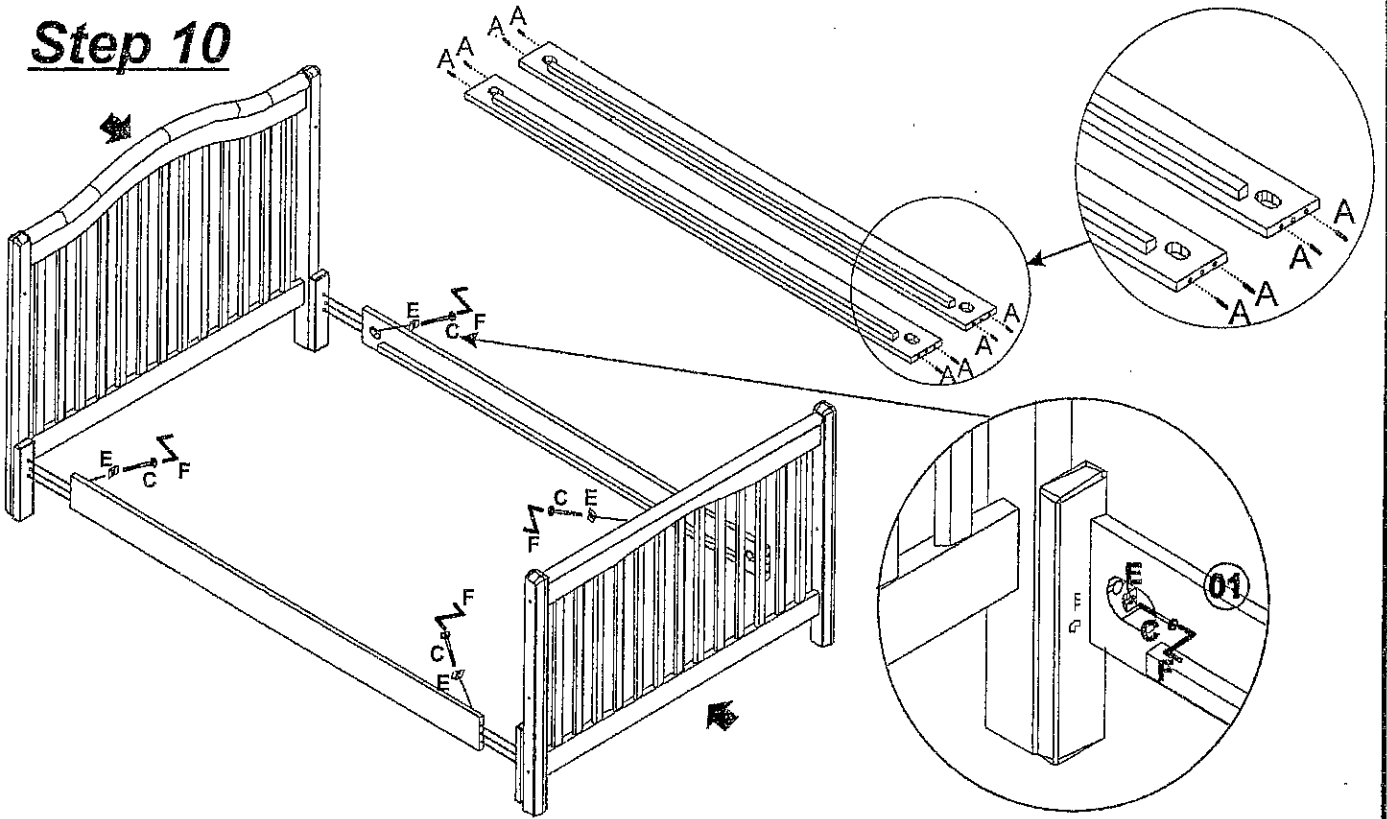
INSTALL ADAPTORS FOR FULL BED - VICK AND CAROLINE CRIBS
(CRIB DRAWING AS ILLUSTRATION ONLY)


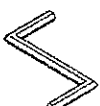




Step 09

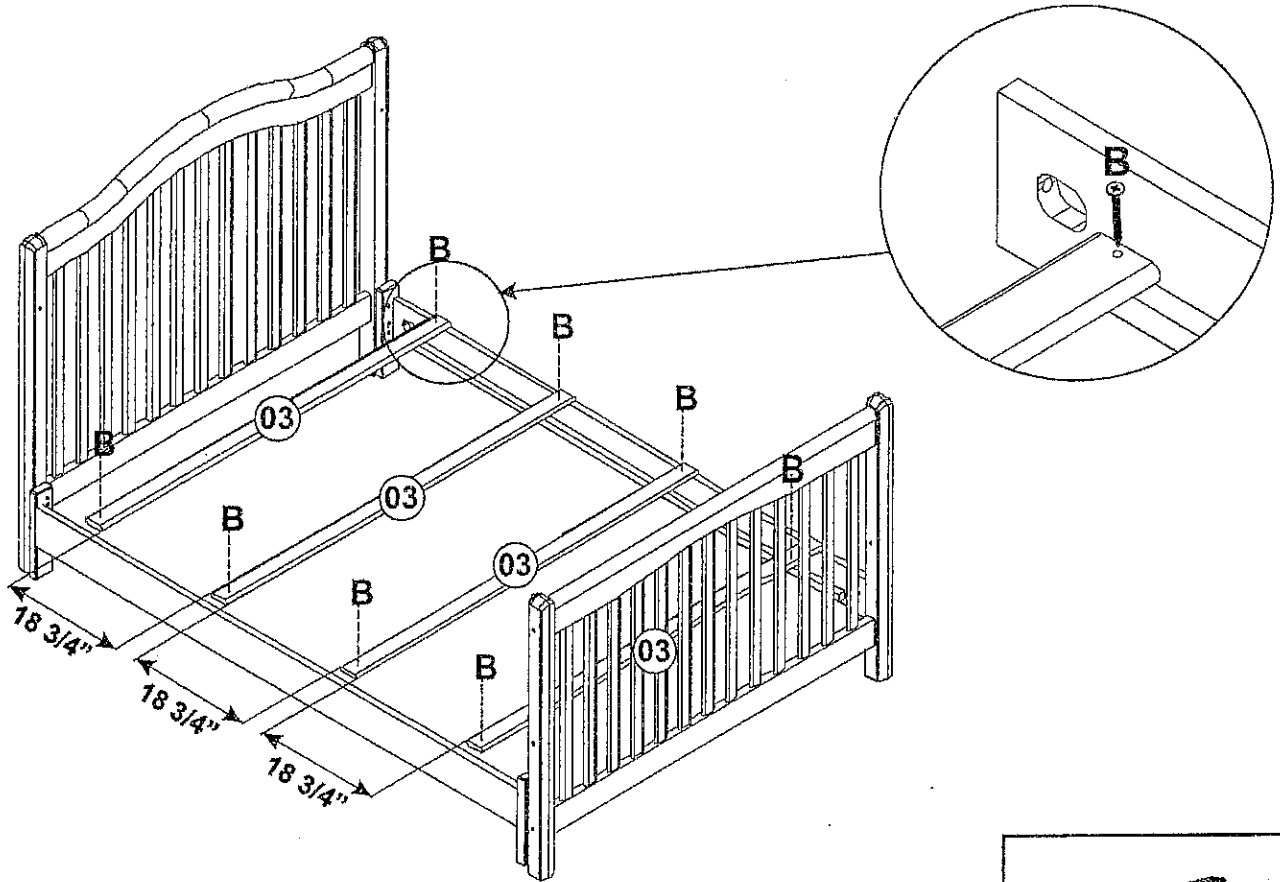


Step 10



<p>A  08 3/8" x 2 3/4"</p>	<p>F  01</p>	<p>C  04 3/16" x 2 3/8"</p>	<p>E  04</p>
--	--	--	--

Step 11



<p>B  08</p>
