



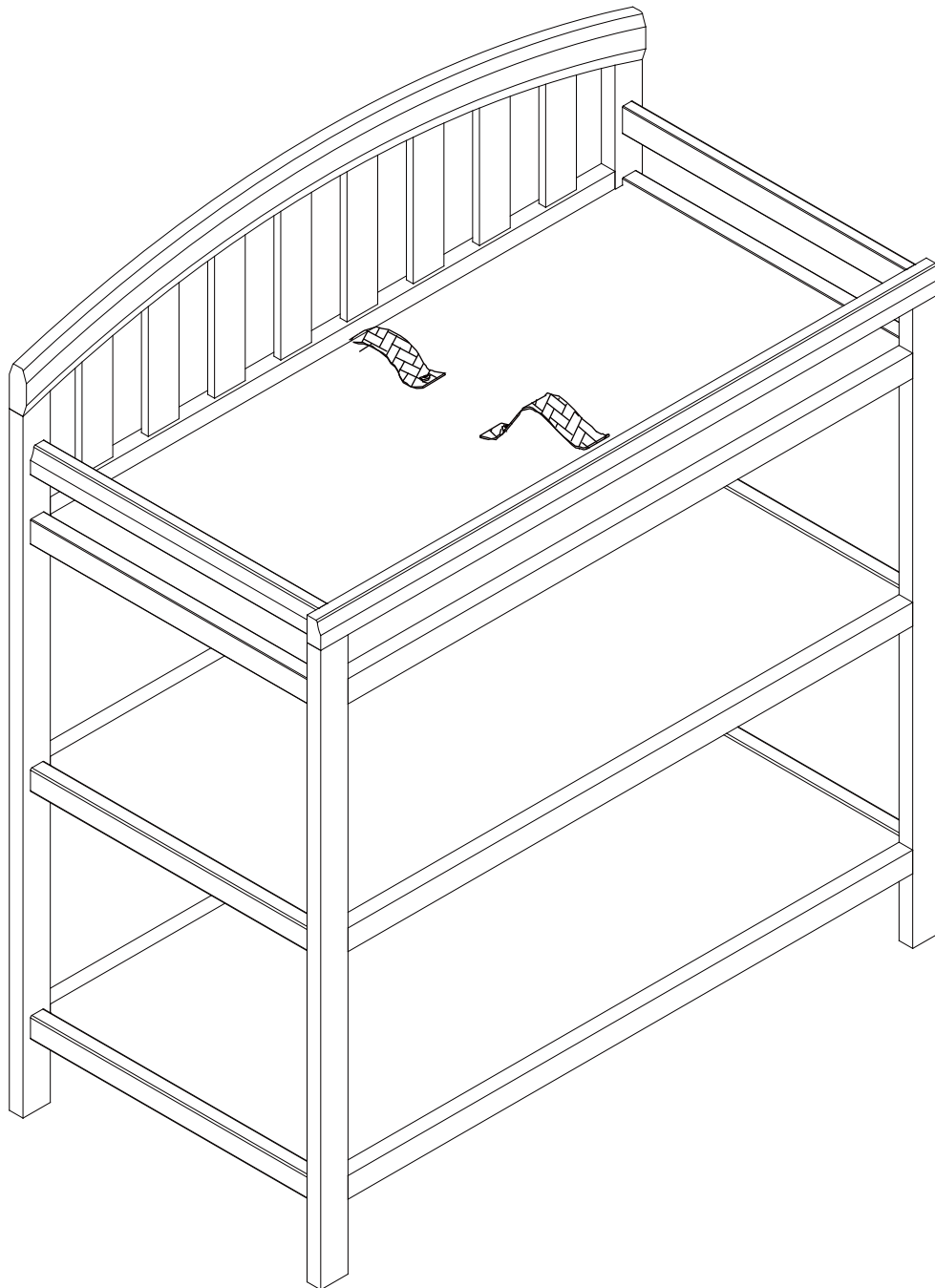
**By Sorelle - A Division of C & T International, Inc.**

46 Whelan Road, East Rutherford, N.J.07073 U.S.A.

Tel, +1(201) 531 1919 Fax, +1(201) 531 1920

Website: [www.sorellefurniture.com](http://www.sorellefurniture.com)

# Urban Changing Table Assembly Instruction



## **Important Information:**

Read all instructions **BEFORE** assembling Changing Table.

**KEEP INSTRUCTIONS FOR FUTURE USE.**

## Changing Table Warnings:

### **⚠️WARNING**

FALL HAZARD - to prevent death or serious injury, always keep child within arm's reach. Read all instructions before use of the changing table.  
 KEEP THESE INSTRUCTIONS IN A SAFE PLACE FOR FUTURE USE.  
 Inspect the changing table periodically. **Do not** use the changing table if it is damaged or broken. Contact C&T International Inc. with any questions.  
 Tighten all loose screws and bolts before each use.  
 The maximum recommended weight of the child is 30lbs for the changing table.  
 Use only the pad provided by C&T International / Sorelle or Manufacturer's  
 Always secure the pad to the changing surface. See Instructions.  
 NEVER use crib without Changing Table attached

**WHEN CHILD REACHES A MAXIMUM WEIGHT OF 30 LBS.,  
 THE CHANGING TABLE SHALL NO LONGER BE USED**

#### **NOTES ON ASSEMBLY:**

- During the assembly process whenever using screws or bolts, check each by placing the screw/bolt on the diagram of the item which is drawn actual size and design. Be sure to use the proper size and shape specified in the instructions.
- To assemble this unit you may be required to place the unit on it's side and face. It is strongly recommended that assembly is done on a soft, non-abrasive surface to avoid damaging the finish.

#### **NOTES ON USE:**

Keep children and others safe by following these simple rules:

- **Do not** allow any child to play on furniture
- **Do not** allow climbing on any piece of furniture.
- **Do not** allow hanging from any piece of furniture.
- Always monitor your child's activity when in the nursery.

#### **NOTES ON CARE AND MAINTENANCE:**

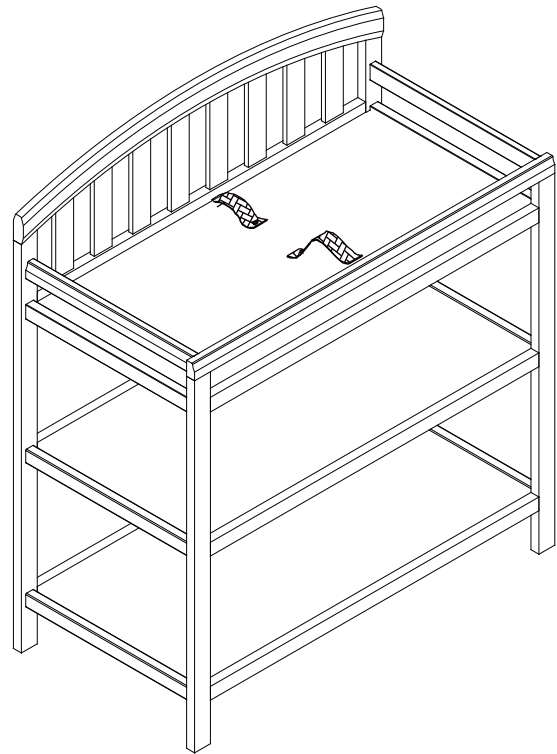
- **Do not** scratch or chip the finish.
- Inspect the product periodically, contact C&T International / Sorelle for replacement parts or questions.
- **Do not** store the product or any parts in extreme temperatures and conditions such as a hot attic or a damp, cold basement. These extremes can cause a loss of structural integrity.
- To preserve the luster of the high quality finish on your product, it is recommended to place a daily or felt pad under any items you place on the finish.
- Clean with a damp cloth, then a dry cloth to preserve the original luster and beauty of this fine finish.
- Do not** use abrasive chemicals.
- Do not** spray cleaners directly onto furniture.
- Lift slightly when moving on carpeting to prevent leg breakage.
- Use of a vaporizer near furniture will cause wood to swell and finish to peel.

ASSEMBLY INSTRUCTIONS

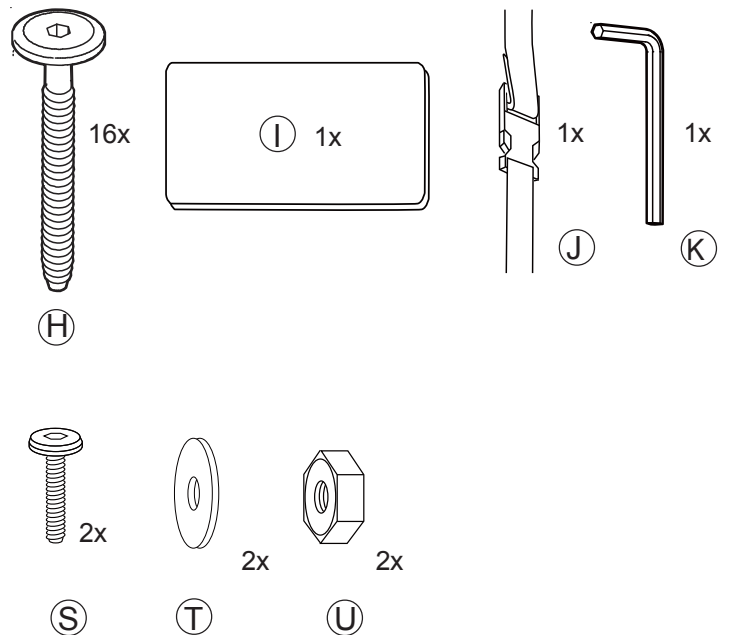
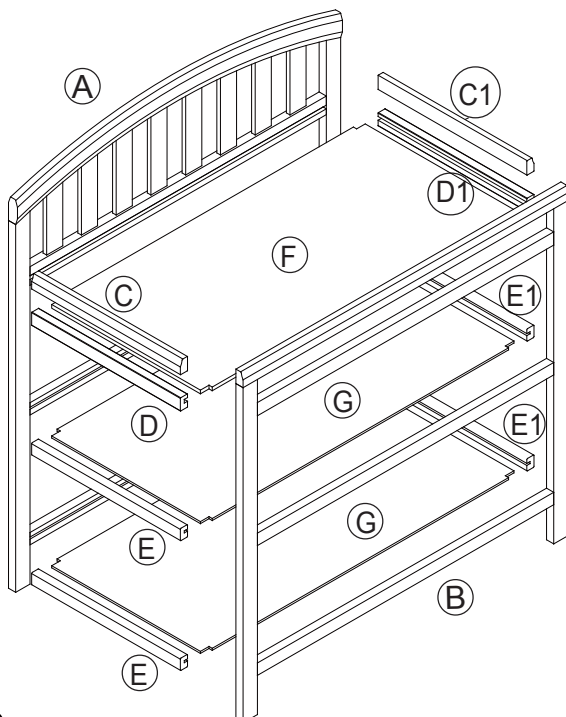
PARTS LIST

No.	Qty	Description
A	1	Back Frame
B	1	Front Frame
C	1	Left Non-grooved Rail
C1	1	Right Non-grooved Rail
D	1	Left Upper Grooved Rail
D1	1	Right Upper Grooved Rail
E	2	Left Grooved Rails
E1	2	Right Grooved Rails
F	1	Top Shelf
G	2	Shelves
H	16	M6 * 30mm Bolts
I	1	Changing Pad
J	1	Safety Harness
K	1	Allen Key
S	2	16mm (5 / 8 ") Bolts
T	2	Washers
U	2	Nuts

改为20mm (3/4")



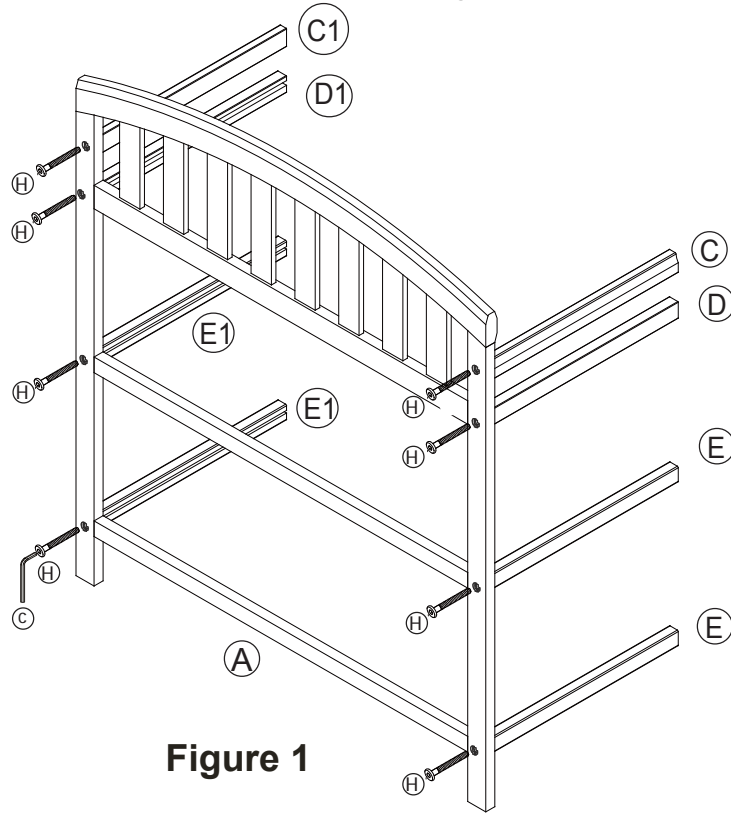
**\*THIS PRODUCT MAY BE DIFFERENT FROM THE INSTRUCTION SHEET SHOWN\***



**Important:** In order to properly assemble the changing table, carry out the operations in order specified. Failure to assemble the changing table in the manner recommended could make the changing table hazardous

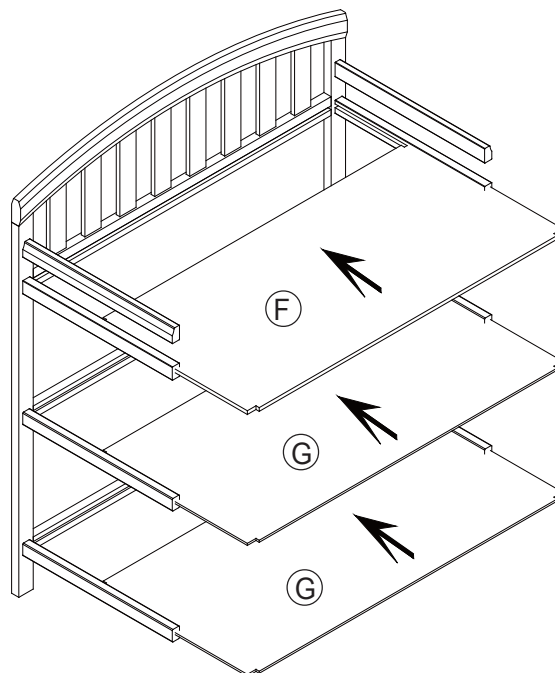
**Changing Table Assembly Steps**

**Step 1** Connect Rails to Back Frame as Figure 1 shows.



**Figure 1**

**Step 2** Shelves Assembled as Figure 2 shows.

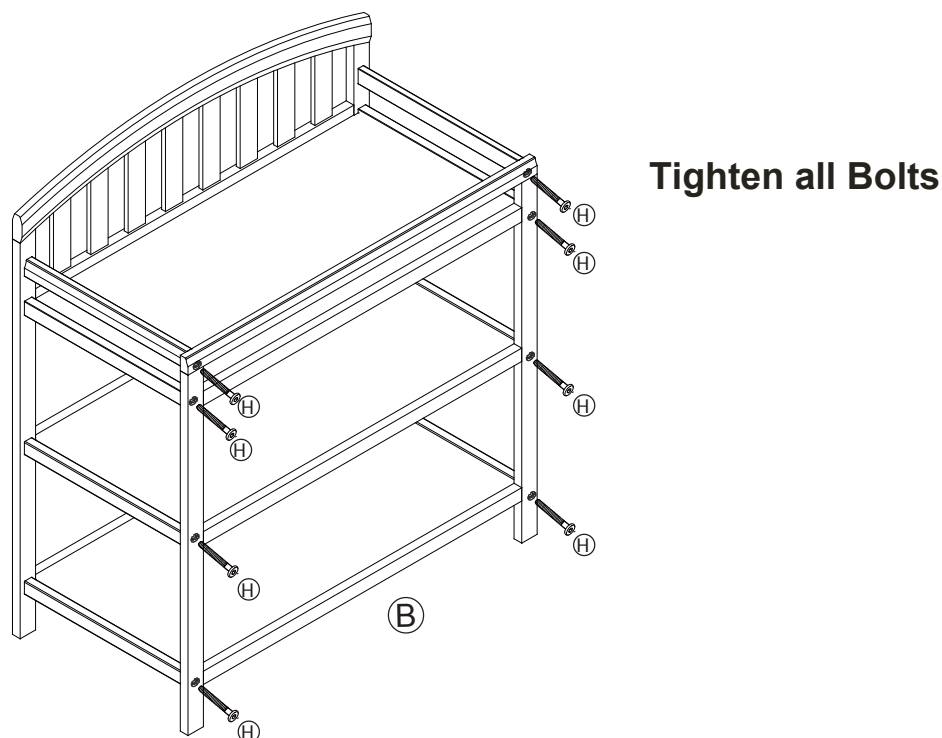


**Figure 2**

Slide the shelves through the grooves in the Rails and Back Frame .

## Changing Table Assembly Steps

**Step 3** Connect Front Frame To Changing Table as Figure 3 shows.



**Figure 3**

**Step 4** Safety Harness Assembled as Figure 4 shows.

**Step 1**

To attach the safety harness, place the safety harness (Part "J") on the top shelf and align the hole on the safety harness end with the hole on the top shelf

**Step 2**

Insert the bolt (Part "S") through a washer (Part "T"), the harness hole and the top shelf hole.

**Step 3**

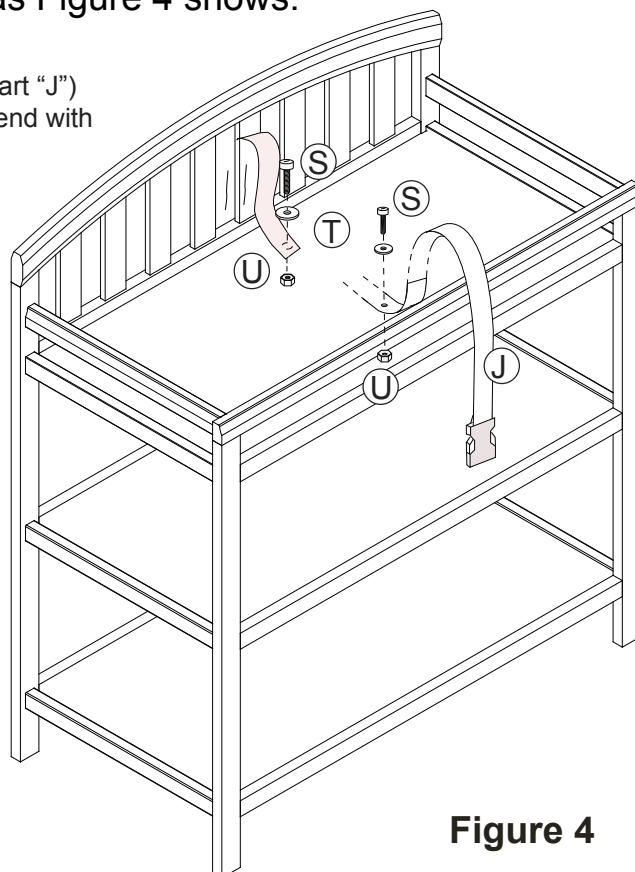
Secure with a nut (Part "U") on the underside of the top shelf.

**Step 4**

Repeat the process to attach the other side of the harness to the top shelf.

**Step 5**

Place changing pad on top of safety harness.



**Figure 4**

**SAFETY HARNESS/RESTRAINT SYSTEM USE**

1. Place the infant on the changing table foam pad
2. Position the safety harness over the middle of the infant's torso and insert the buckled ends into each other until they lock shut with a click.
3. Gently pull the loose end of the safety to lightly snug the safety harness around the infant.