

READ ALL INSTRUCTIONS BEFORE ASSEMBLING AND USE OF CRIB

KEEP FOR FUTURE USE RETAIN THESE INSTRUCTION SHEETS AND CRIB ASSEMBLY TOOLS IN THE ORIGINAL SACK AND SECURE IT TO THE SPRING UNDER THE MATTRESS WITH PLASTIC TIES .

⚠ WARNING: Infants can suffocate on soft bedding. Never add a pillow, comforter or padding.

⚠ WARNING: Failure to follow these warnings and the assembly instructions could result in serious injury or death.

⚠ WARNING

- * Always provide the supervision necessary for the continued safety of your child. When used for playing, never leave child unattended.
- * To reduce the risk of **SIDS**, pediatricians recommend healthy infants be placed on their backs to sleep, unless otherwise advised by your physician.
- * Infants can suffocate in gaps between crib sides and a mattress that is too small.
- * **CHECK** this product for damaged hardware, loose joints, missing parts or sharp edges before and after assembly and frequently during use. **DO NOT** use crib if any parts are missing, damaged or broken. contact C & T International, Inc. for replacement parts and instructional literature if needed.
- * **DO NOT** substitute parts.
- * **NEVER** use a water mattress with this crib.
- * **NEVER** use plastic shipping bags or other plastic film as mattress covers because they can cause suffocation.
- * If refinishing, use a non-toxic finish specified for children's products.
- * The product including side rails must be fully erected prior to use.
- * Replace teething rail if damaged, cracked or loose.
- * Use **ONLY** mattress / pad provided by manufacturer (which must be at least 38 in. long by 24 in. wide and not more than 4 in. thick).

⚠ STRANGULATION HAZARD

- * To help prevent strangulation tighten all fasteners. A child can trap parts of the body or clothing on loose fasteners.
- * String can cause strangulation. **DO NOT** place items with a string around a child's neck, such as hood strings or pacifier cords. **DO NOT** suspend strings over a crib or attach strings to toys.
- * **DO NOT** place crib near window where cords from blinds or drapes may strangle a child.

⚠ FALL HAZARD

- * When child is able to pull to a standing position, set mattress to lowest position and remove bumper pads, large toys and other objects that could serve as steps for climbing out.
 - * After raising side, make sure latches are secure.
 - * **DO NOT** leave child in crib with side lowered. Be sure side is in raised and locked position whenever child in crib.
- When child is able to climb out or reaches the height of 35 inch (90cm), the crib shall no longer be used, and the child should be placed in a youth or regular bed.
- * Top support member must be installed prior to use. Failure to install may result in child falling out of product.

WARNING FOR CHANGING TABLE

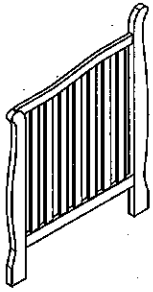
- * WARNING: FALL HAZARD - TO PREVENT DEATH OR SERIOUS INJURY, ALWAYS KEEP CHILD WITHIN ARM'S REACH.
- * READ ALL INSTRUCTIONS BEFORE USE OF THE CHANGING TABLE.
- * KEEP INSTRUCTIONS FOR FUTURE USE.
- * DO NOT USE THE CHANGING TABLE IF IT IS DAMAGED OR BROKEN.
- * THIS CHANGING TABLE IS SUITABLE ONLY FOR CHILDREN UP TO A WEIGHT OF 30 LB.
- * IF USING THE CHANGING TABLE AS A CHANGER AN APPROVED CHANGING MAT WITH HARNESS MUST BE USED.
- * WARNING: ANY MAT USED WITH THIS CHANGING TABLE SHOULD NOT COMPROMISE THE EFFECTIVE HEIGHT OF THE SIDE BARRIERS.
- * WARNING: "DO NOT LEAVE THE CHILD UNATTENDED".
- * REGULARLY CHECK THE SCREW FITTINGS FOR TIGHTNESS AND SECURITY.
- * SCREWS SHALL NOT BE LOOSE BECAUSE A CHILD CAN SQUEEZE PARTS OF THE BODY, OR CLOTHING (E.G.. STRINGS, NECKLACES AND PACIFIER RIBBONS ETC.) COULD GET CAUGHT. THERE COULD BE A DANGER OF STRANGULATION.
- * DO NOT MOVE THE CHANGING TABLE PAD WHEN USING AS A BABY CHANGER.
- * ONLY USE SPARE APPROVED BY SORELLE.
- * ASSEMBLE THE CHANGING TABLE ONCE. IT IS NOT DESIGNED TO BE TAKEN APART AND RE-ASSEMBLED.
- * BE AWARE OF THE RISK OF OPEN FIRES AND OTHER SOURCES OF STRONG HEAT, SUCH AS ELECTRIC BAR FIRES, GAS FIRES ETC. IN THE NEAR VICINITY OF THE CHANGING TABLE.
- * KEEP THIS PRODUCT AWAY FROM FIRE AND DIRECT HEAT SOURCES.
- * ALWAYS USE SAFETY BELT.

CLEANING & MAINTENANCE

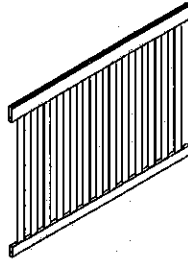
- ALWAYS STORE THE CRIB & CHANGING TABLE IN A CLEAN AND DRY PLACE.
- TO CLEAN YOUR CRIB & CHANGING TABLE, USE A SOFT DAMP CLOTH WITH A SMALL AMOUNT OF MILD SOAP, WIPE IMMEDIATELY WITH A DRY CLOTH.
- DO NOT USE ABRASIVES OR DETERGENT ON CRIB & CHANGING TABLE SURFACES.
- OCCASIONAL USE OF FURNITURE POLISH WILL MANTAIN THE FINISH OF YOUR CRIB/BED & CHANGING TABLE.
- REGULARLY CHECK ALL SCREWS AND FITTINGS TO ENSURE THEY ARE TIGHT.
- THE IDEAL BALANCE IS TO MAINTAIN THE TEMPERATURE AROUND 21°C (70°F) AND THE RELATIVE HUMIDITY AT 40% TO PREVENT WARPING OR SPLITTING.

By Sorelle - A Division of C&T International, Inc.
46 Whelan Road, East Rutherford, NJ 07073 U.S.A.
Tel, 201/531 1919 Fax, 201/531 1920

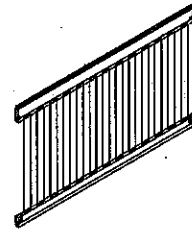
PARTS LIST FOR **CRIB** ASSEMBLY



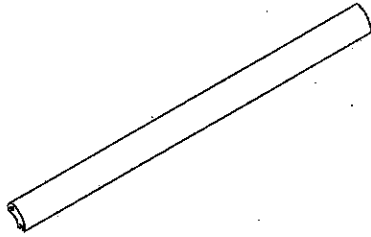
(A): Left Side Rail(x1)



(B) Back Side Rail (x1)



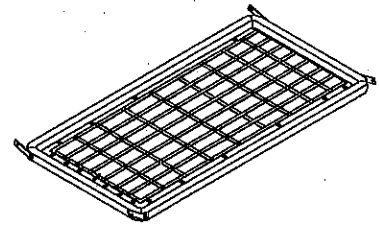
(C) Front Side Rail (x1)



(D) Front&Back Contoured Top (x2)

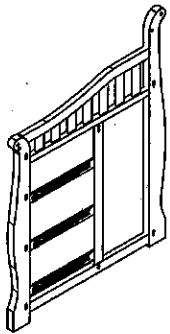


(E) Mattress Pad (x1)

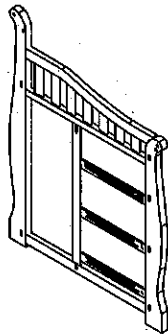


(F) Metal Mattress Support (x1)

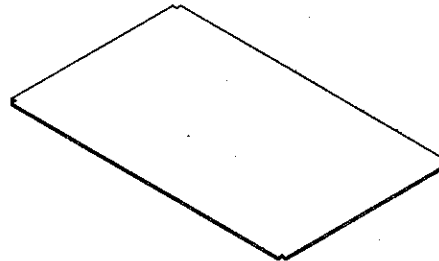
PARTS LIST FOR **CHANGER/DRESSER** ASSEMBLY



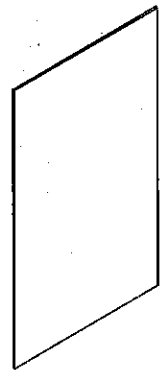
(H): Middle Panel (x1)



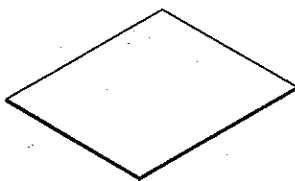
(I) Right End (x1)



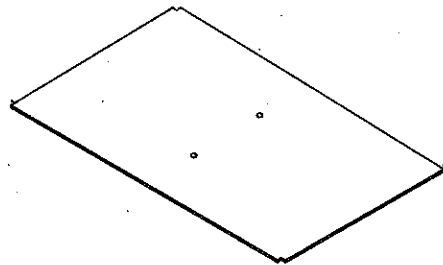
(J) Top Shelf (x1)



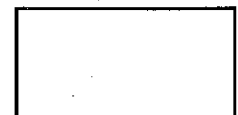
(K) Middle Shelf (x1)



(L) Small Shelf (x1)

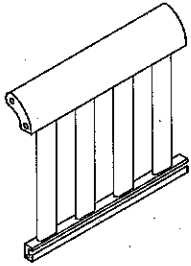


(M) Bottom Shelf (x1)

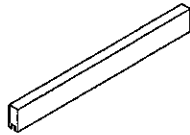


(N) Change Pad (x1)

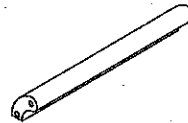
PARTS LIST FOR *CHANGER/DRESSER* ASSEMBLY



(O1) Decorative Support Bar Bolt Ends (x1)



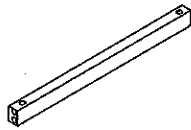
(O2) Large Support Bar Peg Ends (Bottom Groove) (x1)



(O3) Small Front Support Bar (x1)



(O4) Support Bar Solid Ends (Side Groove) (x3)

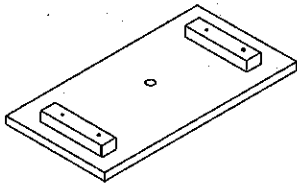


(O5) Support Bar Bolt Ends (x2)

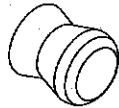


(O6) Support Bar Bolt Ends (x1)

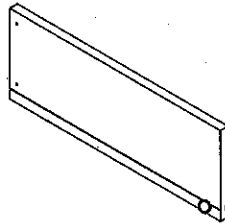
PARTS LIST FOR *DRAWER* ASSEMBLY



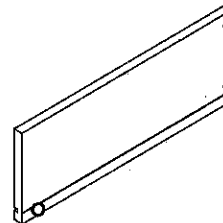
(P): Drawer Front (x3)



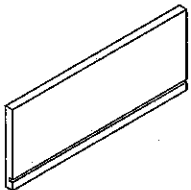
(Q) Knob (x3)



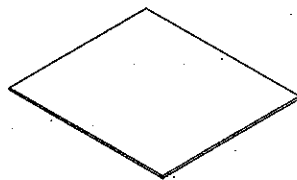
(R) Drawer Left (x3)



(S) Drawer Right (x3)

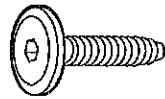


(T) Drawer Back (x3)

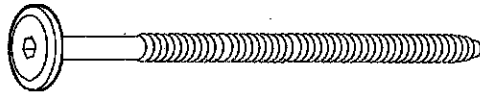


(U): Drawer Bottom Self (x3)

HARDWARE LIST



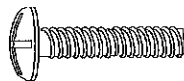
(HA) 19mm(3/4") Bolts (12mm Head) (x4)



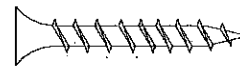
(HC) 63mm(2 1/2") Bolts (12mm Head) (x22)



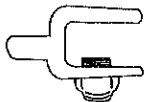
(HE) Barrel Nuts (x22)



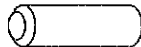
(HF): 25mm Screws for knobs (x3)



(HG): 32mm(1 1/4") Phillips Screws (x24)



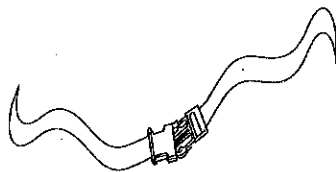
(HH) Shelf Support Brackets (x4)



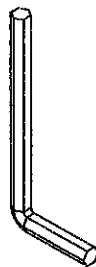
(HI) Dowel Pin (x4)



(HK) 12mm Screws (x4)



(HL) Safety Belt(1sets, L & R)



(HN) Allen Wrench

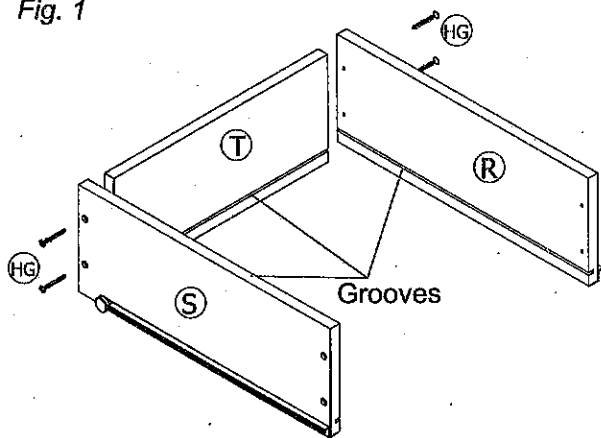


Tool required

DRAWER ASSEMBLY

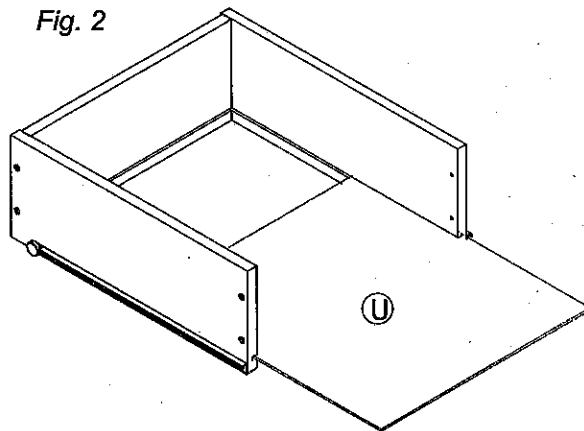
Parts Needed: refer to page 3, "Parts List For DRAWER ASSEMBLY".
 Phillips screw driver needed for tightening (HG) screws

Fig. 1



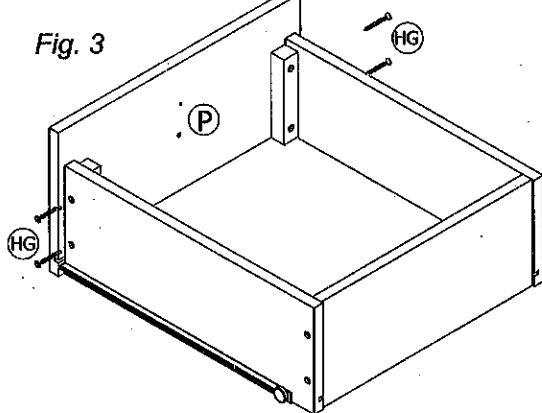
1. Working on a padded, flat surface, attach drawer sides(R&S) to Drawer Back (T) with four Phillips Head Screw (HG), see Fig 1. Tighten Screw (HG) half way only to leave room for adusting when fitting drawer panel.

Fig. 2



2. Slide Drawer Bottom(U) into drawer assembly, see Fig 2. Make sure Panel is inserted all the way to the back tighten screws all the way.

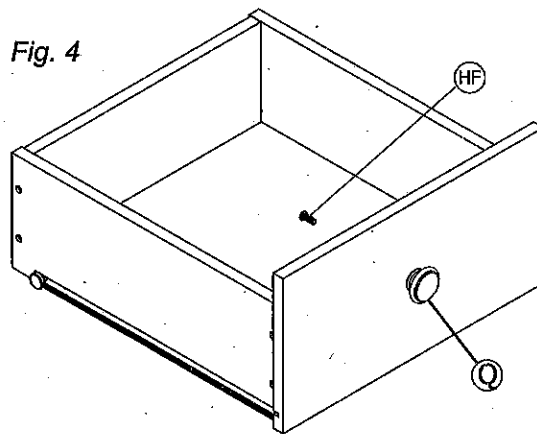
Fig. 3



3. Secure both side of drawer front(P) to Drawer assembly with four(4) Phillips Head Screw (HG), see Fig 3.

Check All screws for tightness.

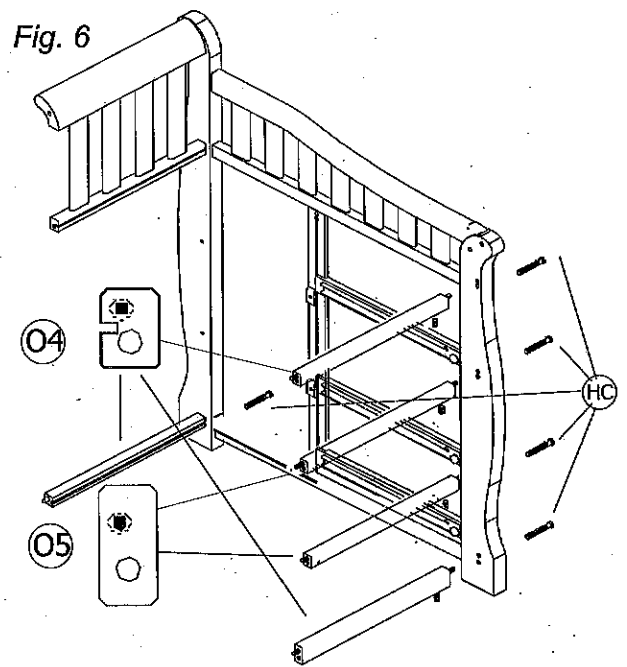
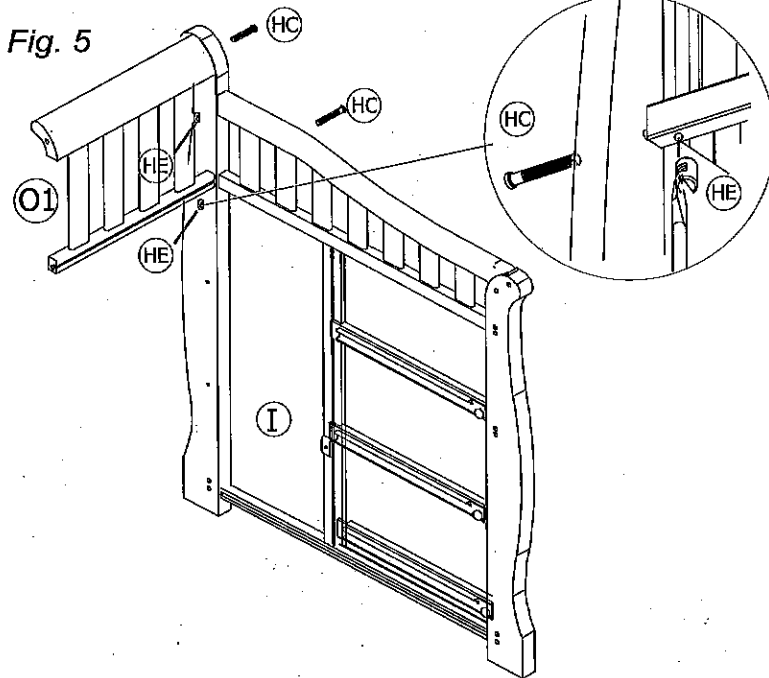
Fig. 4



4. Using Drawer Knob Screw(HF), install one Knob(Q) on Drawer, see Fig 4.

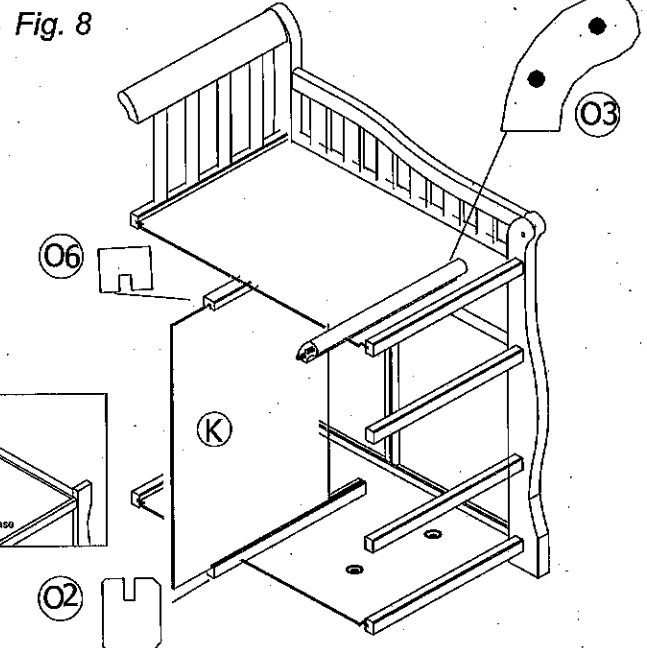
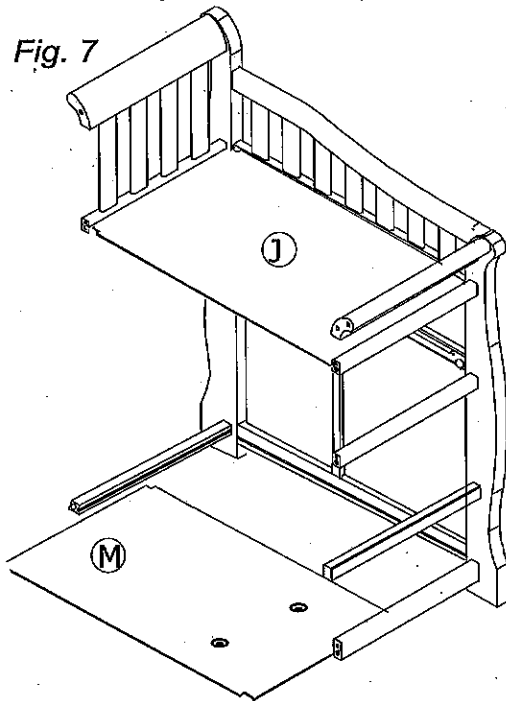
CHANGER/DRESSER ASSEMBLY

Parts Needed: refer to Page 3 and 4, "PARTS LIST FOR CHANGER/DRESSER ASSEMBLY"
 Secure Bolts with Allen wrench (HN) Phillips screw driver needed for tightening (HK)SCREWS



1. Insert Decorative Support Bar (O1) into Right End (I) and secure with 2pc Bolt (HC) and 2pc Barrel Nuts(HE), see Fig 5

2. Insert Support Bar O4 and O5 into Right End (I) and secure with 5pcs Bolt(HC) and 5pcs Barrel Nuts(HE), See Fig 6.



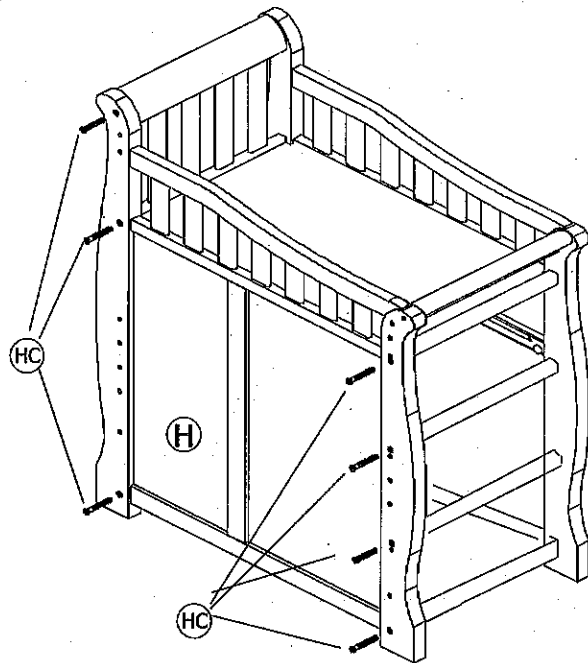
3. Slide (M) into grooves of O4. Slide (J) into grooves of O4 and lower grooves of O1.

4. Put the Right Ends on ground, then Insert Support Bar O3 into Right End (I), See Fig 8. Plack K into center groove of Right end I. Slide O2 to the bottom and O6 to the top of K. Upon Completion of changer assembly, flip the changer over and secure O2 to M with 2 pcs (HK) screws. See Fig 8A.

CHANGER/DRESSER ASSEMBLY

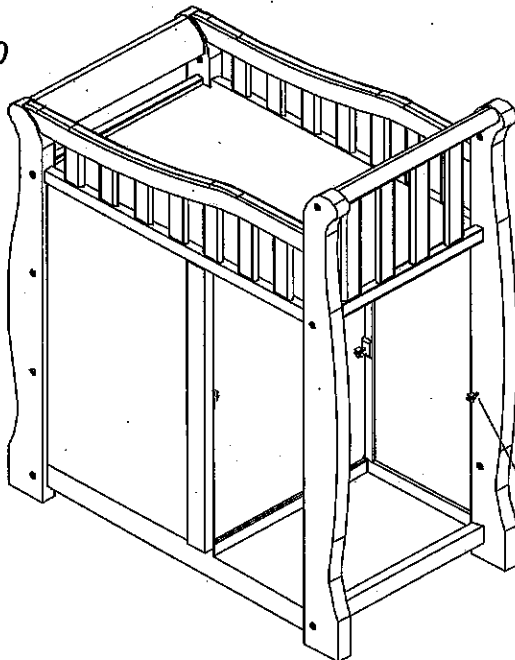
Parts Needed: refer to Page 3, "PARTS LIST FOR CHANGER/DRESSER ASSEMBLY"

Fig. 9



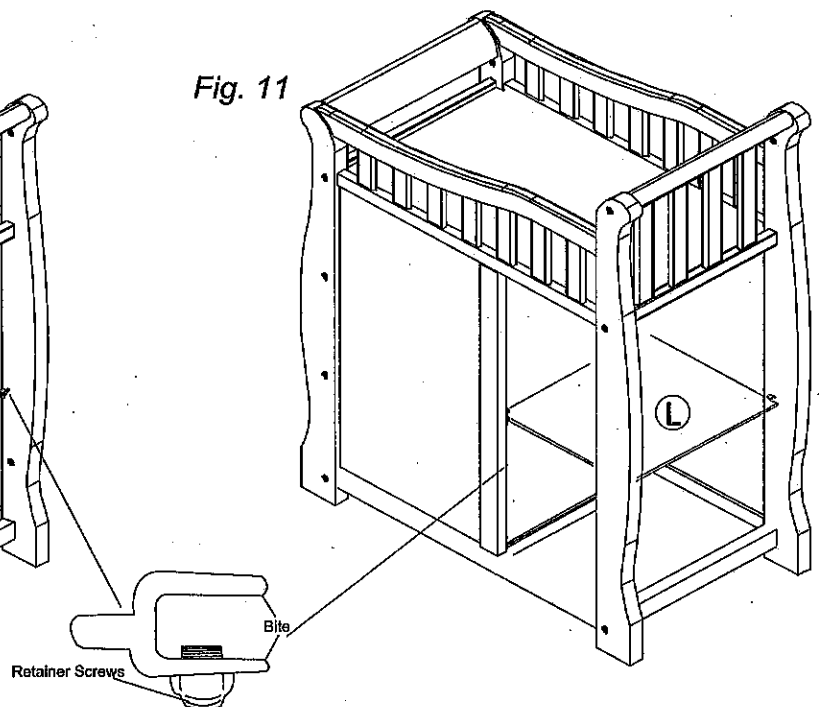
6. Attach Middle Panel(H) with each support bar and secure with 7 pcs Bolt(HC) and Barrel Nuts(HE), see Fig 9.

Fig. 10



7. Insert Shelf Support Brackets (HH) into holes in back of dresser, See Fig 10.

Fig. 11

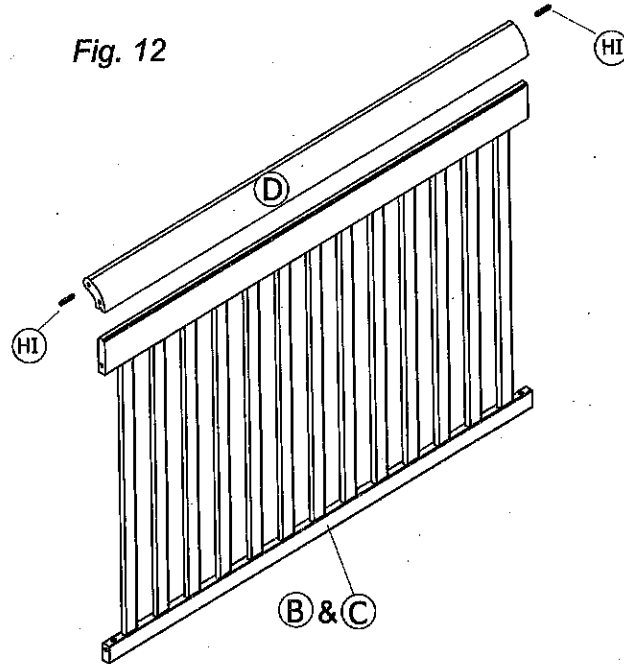


8. Slide Shelf(L) into "bite" of bracket. When in place, tighten retainer screws on brackets. see Fig 11

NOTE: Retainer screws MUST be tightened to keep shelves from moving.

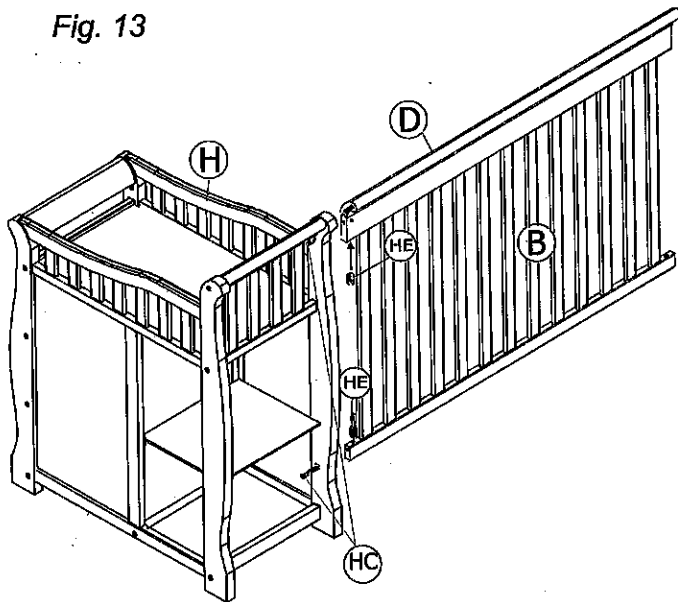
CRIB ASSEMBLY

Fig. 12



1. Slide 1pc Dowel Pin (HI) into each end of Front & Back Contoured Top (D), See Fig.12

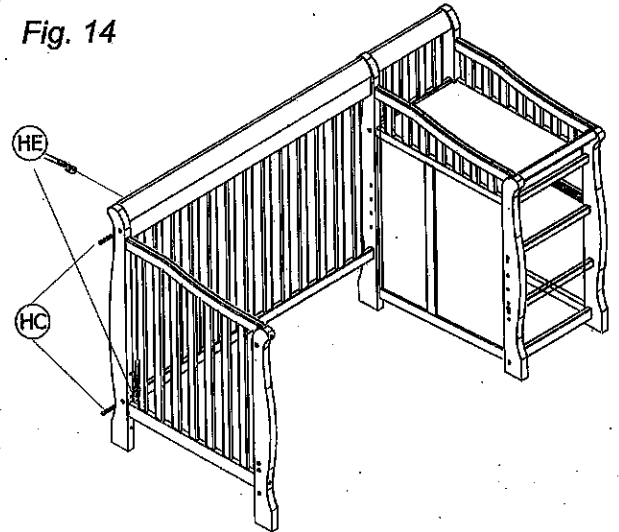
Fig. 13



2. Put Back Contoured Top(D) to Back Side Rail(B),and then Attach Back Side Rail(B) to change table secure to top and bottom with 2pcs Bolts(HC) and 2pcs Barrel Nuts(HE), See Fig.13

This step may require two person assembly or with the changer unit on its side.

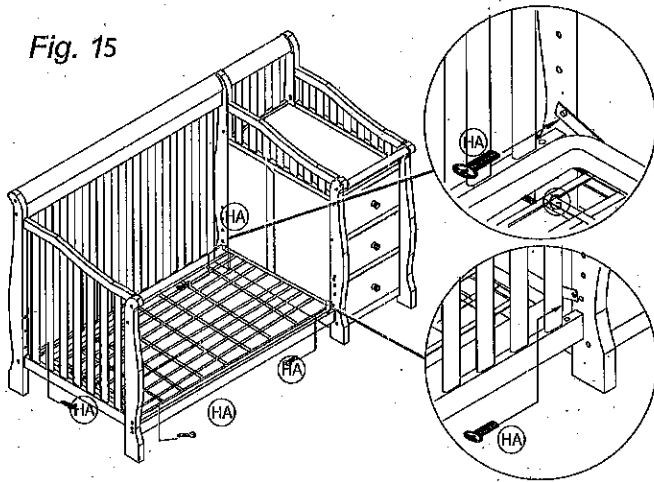
Fig. 14



3. Attach the Left Side panel (A) to Back Side Rail(B) with 2pcs Bolts(HC) and 2pcs Barrel Nuts(HE), See Fig.14

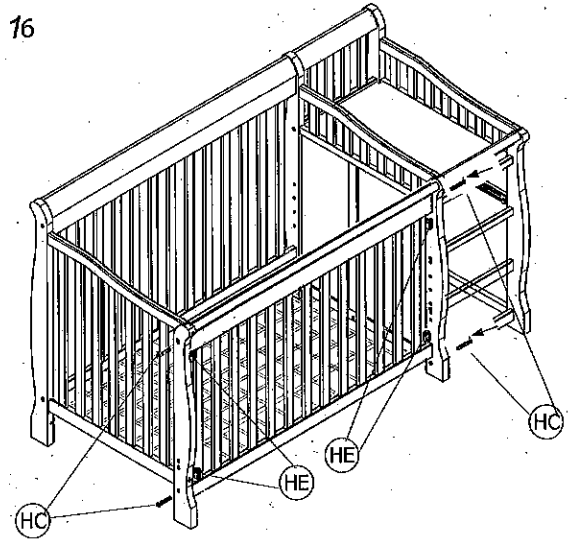
CRIB ASSEMBLY

Fig. 15



4. Attach completed Mattress support(F) to Crib using four(4) Bolts(HA) , See Fig 15

Fig. 16



5. Put Front Contoured Top(D) to Front Side Rail(C), and then Attach Front Side Rail(C) to change table and Left Side Rail (A) with 4pcs Bolts (HC) and 4pcs Barrel Nuts (HE). See Fig. 16

ONCE COMPLETED, INSERT THE DRAWER INTO CHANGING TABLE. AND PUT THE CHANGING PAD TO TOP OF CHANGER

CHANGING PAD ASSEMBLY

Fig. 17

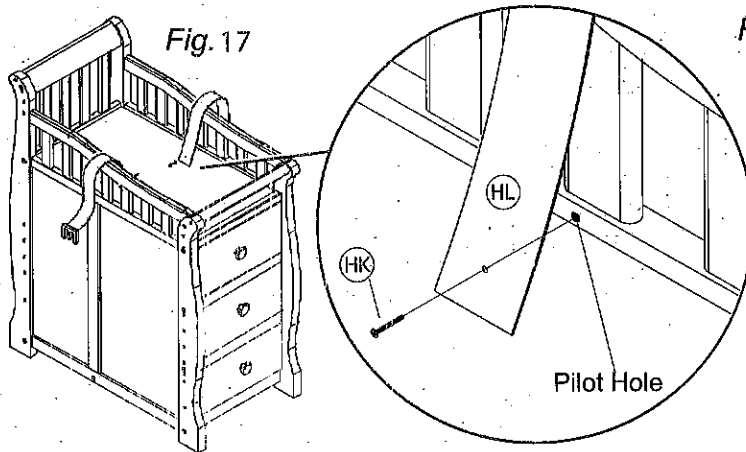
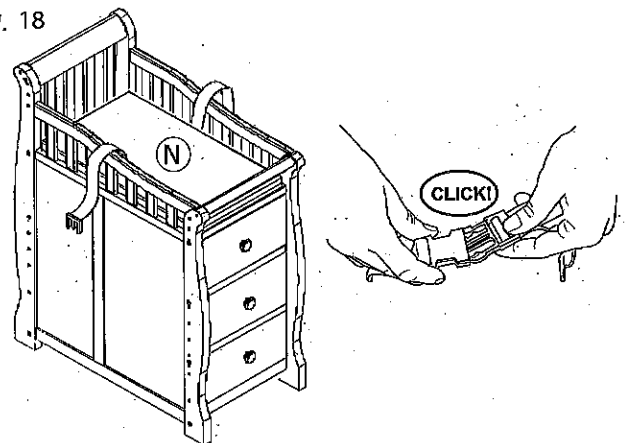


Fig. 18



1. Screws safety belt (HL) to dresser top(Pilot Hole location) by 2pcs12mm Screws(HK) as per Fig. 17
2. Put the pad(N) to the dresser completely, Make sure pad is facing up and warning are always visible. Make sure that safety belt is fastened around child and adjusted to safety belt is snug around child's mid-section. Make sure buckle is securely latched. See Fig 18.

DISASSEMBLING CRIB FOR STORAGE

To disassemble crib for storage follow assembly steps in reverse. Store all parts and hardware together in a safe place. Store the instruction manual in the supplied PE bags attached to the mattress support for future reference for assembly.