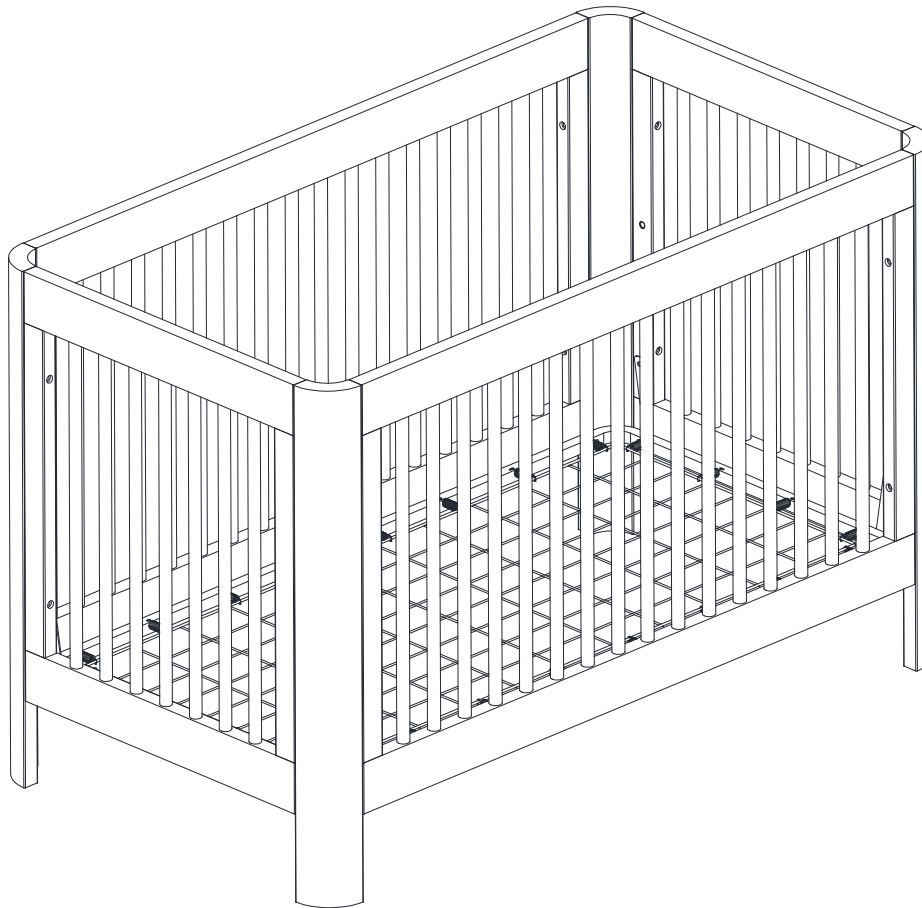




By Sorelle - A Division of C&T International, Inc.
46 Whelan Road, East Rutherford, N. J. 07073 U. S. A.
Tel, +1(201)531 1919 Fax, +1(201)531 1920

Chandler Crib

Assembly Instruction



Important Information:

Read all instructions **BEFORE** assembling crib.
KEEP INSTRUCTIONS FOR FUTURE USE.

CRIB WARNINGS

! WARNING - Failure to follow these warnings and assembly instructions could result in serious injury or death.

- Read all instructions before assembling crib. **KEEP INSTRUCTIONS FOR FUTURE USE. DO NOT USE THIS CRIB IF THE INSTRUCTIONS CANNOT BE STRICTLY FOLLOWED.**

! WARNING- Infants can suffocate on soft bedding. Never add a pillow or comforter. Never place additional padding under an infant.

! WARNING- Infants can suffocate in gaps between crib sides and a mattress that is too small.

! WARNING: Follow warnings on all products in a crib

- To reduce the risk of SIDS, pediatricians recommend healthy infants be placed on their backs to sleep, unless otherwise advised by your physician.
- Before each usage or assembly, inspect crib for damaged hardware, loose joints, missing parts or sharp edges. **DO NOT** use crib if any parts are missing or broken. Ask your dealer or write to C&T International/Sorelle for replacement parts and instructional literature if needed. **DO NOT** substitute parts.
- **DO NOT** use a water mattress with this crib.
- **NEVER** use plastic shipping bags or other plastic film as mattress covers because they can cause suffocation.
- If refinishing, use a non-toxic finish specified for children's products.
- The product including side rails must be erected prior to use.

! ENTRAPMENT/STRANGULATION HAZARD

- Infants have died in crib from entrapment and strangulation .
- To help prevent strangulation tighten all fasteners .
- A child can trap parts of the body or clothing on loose fasteners .
- Strings can cause strangulation! **DO NOT** place items with a string around a child's neck, such as hood strings or pacifier cords. **DO NOT** suspend strings over a crib or attach strings to toys.
- **DO NOT** place crib near window where cords from blinds or drapes may strangle a child. Child may fall out of window. **DO NOT** place cords, straps or similar items that could become wound around the child's neck in or near the crib.

! FALL HAZARD

- When child is able to pull to a standing position set mattress to lowest position and remove bumper pads, large toys and other objects that could serve as steps for climbing out.
- When child is able to climb out or reaches the height of 35 in. (90 cm), the crib shall no longer be used and can be converted to the transitional bed.

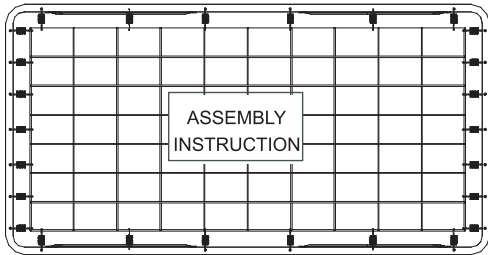
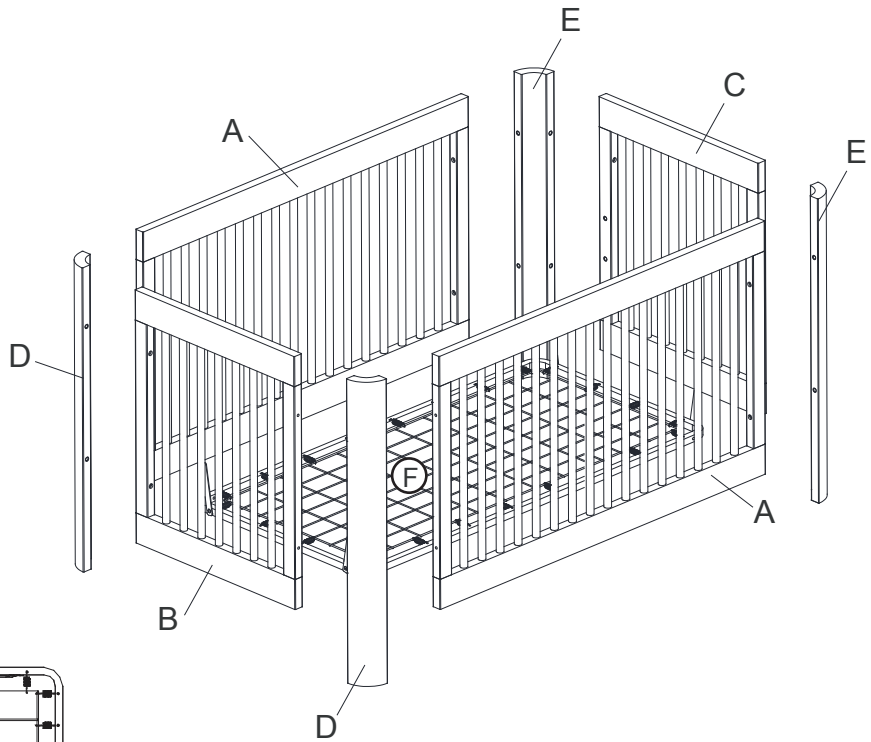
CAUTION : ANY MATTRESS USED IN THIS CRIB MUST BE AT LEAST 27 1/4" (69CM) x 51 5/8" (131 CM) WITH A THICKNESS NOT EXCEEDING 6" (15CM).

- Ensure a safe environment for your child by checking regularly, (that every component is properly and securely in place) before placing your child in the crib. Make sure that all bolts and fasteners are tight.

Crib Assembly Parts

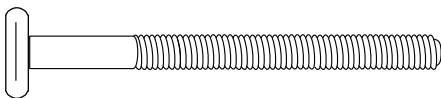
Parts list

No.	Qty.	Description
A	2	Stationary Sides
B	1	Left Side Frame
C	1	Right Side Frame
D	2	Left Corner Post
E	2	Right Corner Post
F	1	Mattress Support



F

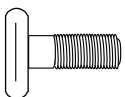
Assembly Hardware Set



a. General Allen head bolt Ø1/4 X 55mm (16 pcs)



d . Allen Wrench (1PCS)



b. General Allen head bolt Ø1/4 X 16mm (4 pcs)

Important: In order to properly assemble the crib, carry out the operations in order specified. Failure to assemble the crib in the manner recommended order can make the crib hazardous.

STEP 1

A. Attach the Left & Right Legs (D) & (E) to the left Side Frame (B) & Right Side Frame (C) Using 55mm Allen head bolts (a) Wooden dowel (c) . See Figure . 1

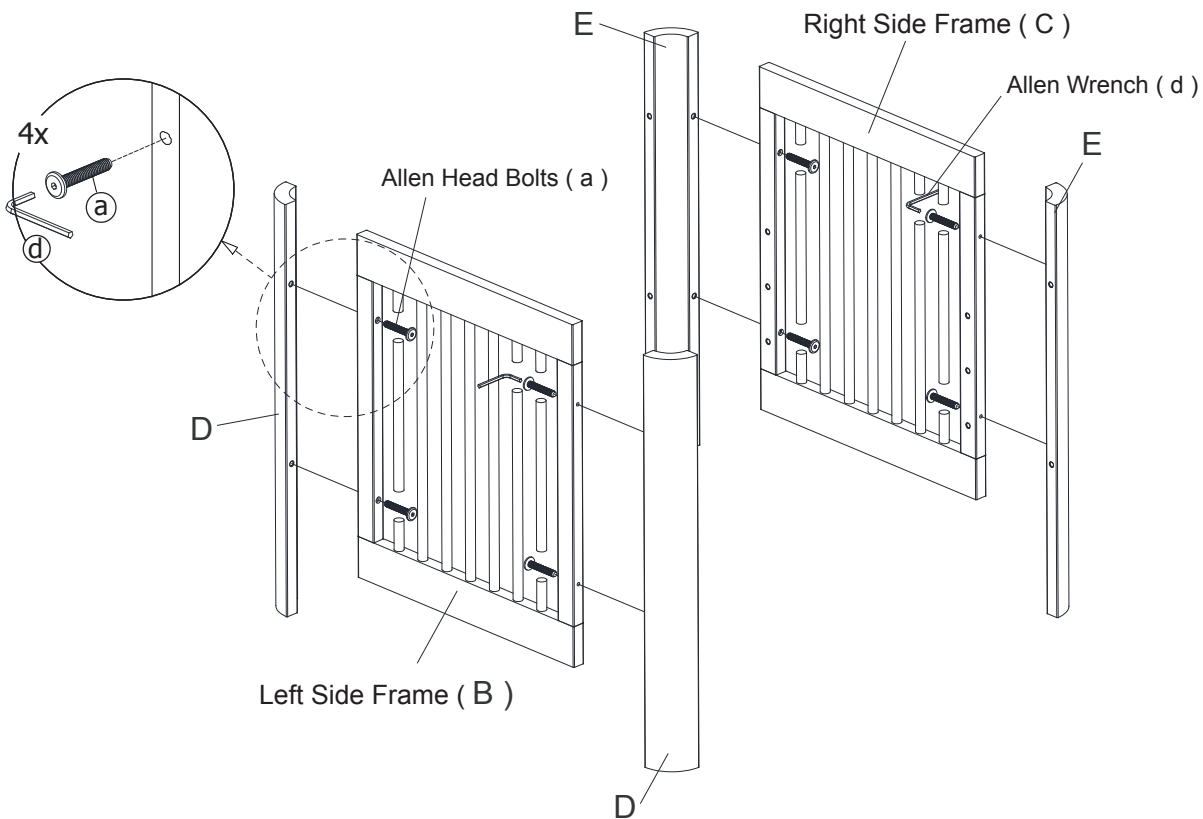


Figure 1:

STEP 2 Assembly of Crib Stationary Sides

A. Attach the First Stationary Side (A) to the Crib Side Frame (B) & (C) Using 57mm Allen head bolts (a) . See Figure 2 .

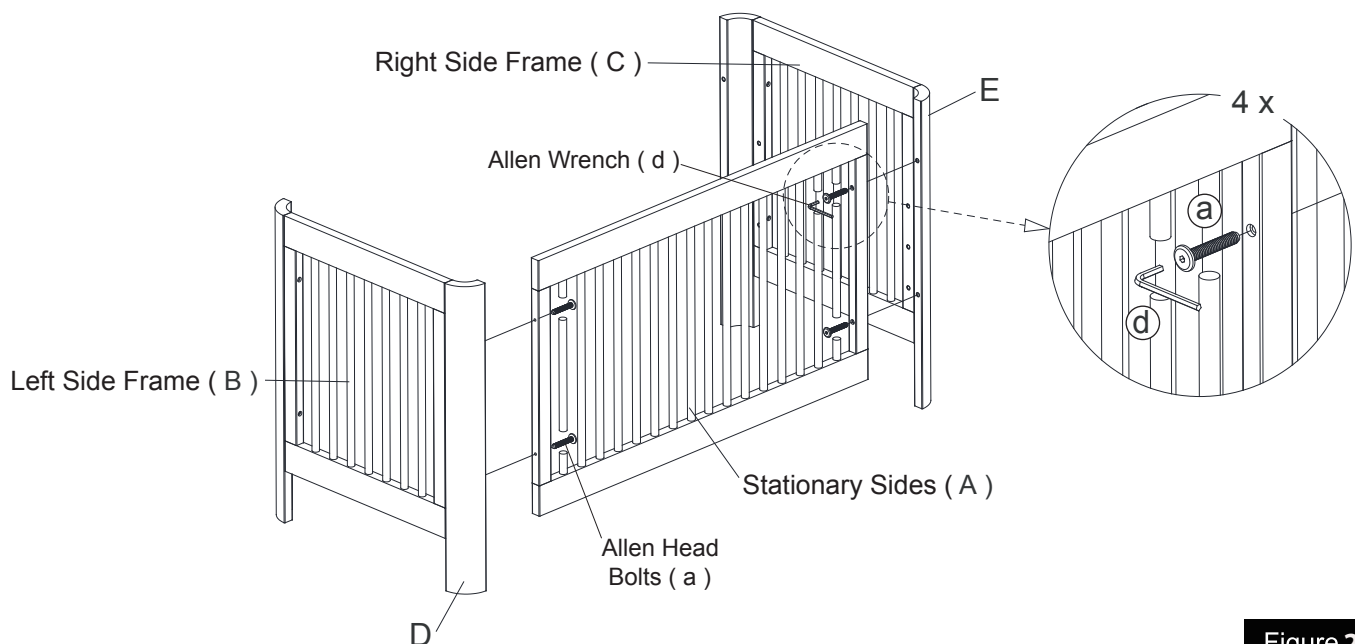


Figure 2:

STEP 3 Assembly of Crib Mattress Support

A. Locate the metal spring (G) with tabs . Be sure the smooth side of the metal spring is placed upward . Position the tabs of the metal spring to mount to selected position onto the Corner Post Insert the 15mm Allen head bolts (b) through the tabs and into the threaded insets onto the Corner Post. See Figure 3 .

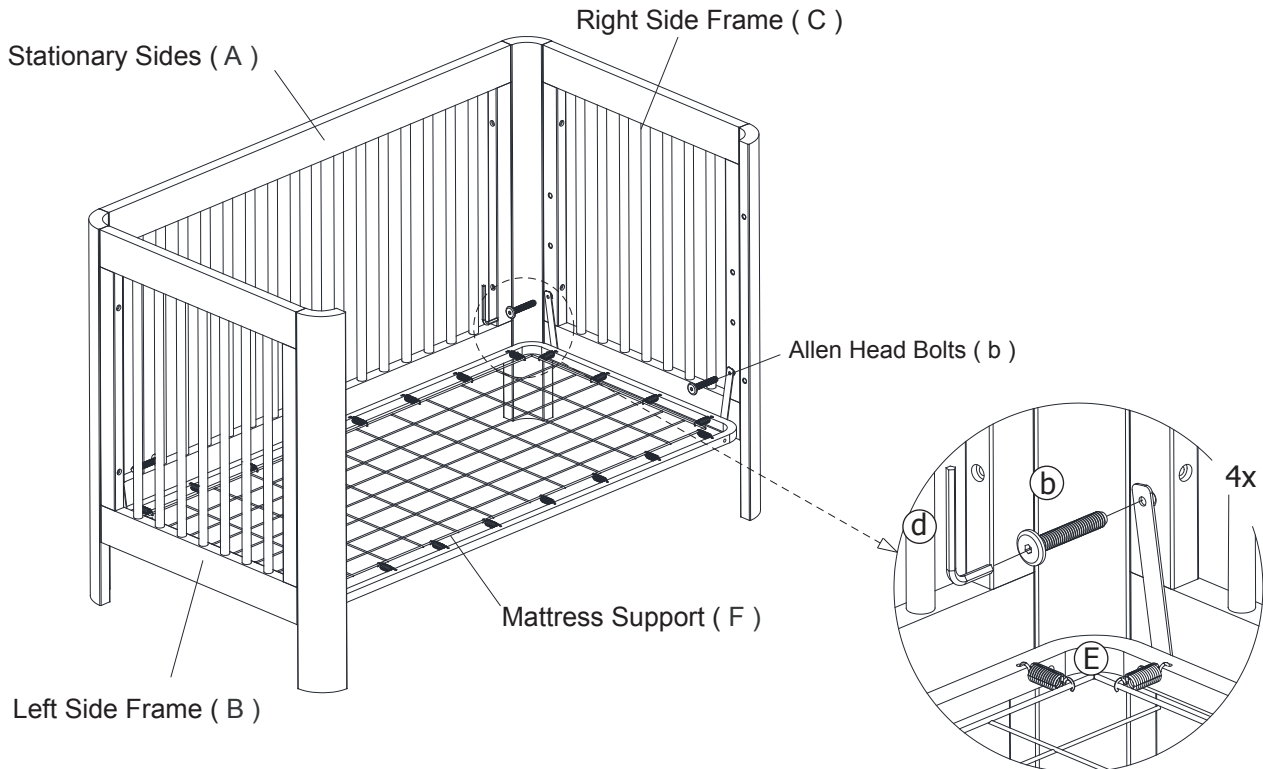


Figure 3 :

STEP 3 Assembly of Crib Stationary Sides

A. Attach the First Stationary Side (A) to the Crib Side Frame (B) & (C) Using 57mm Allen head bolts (a) . See Figure 4 .

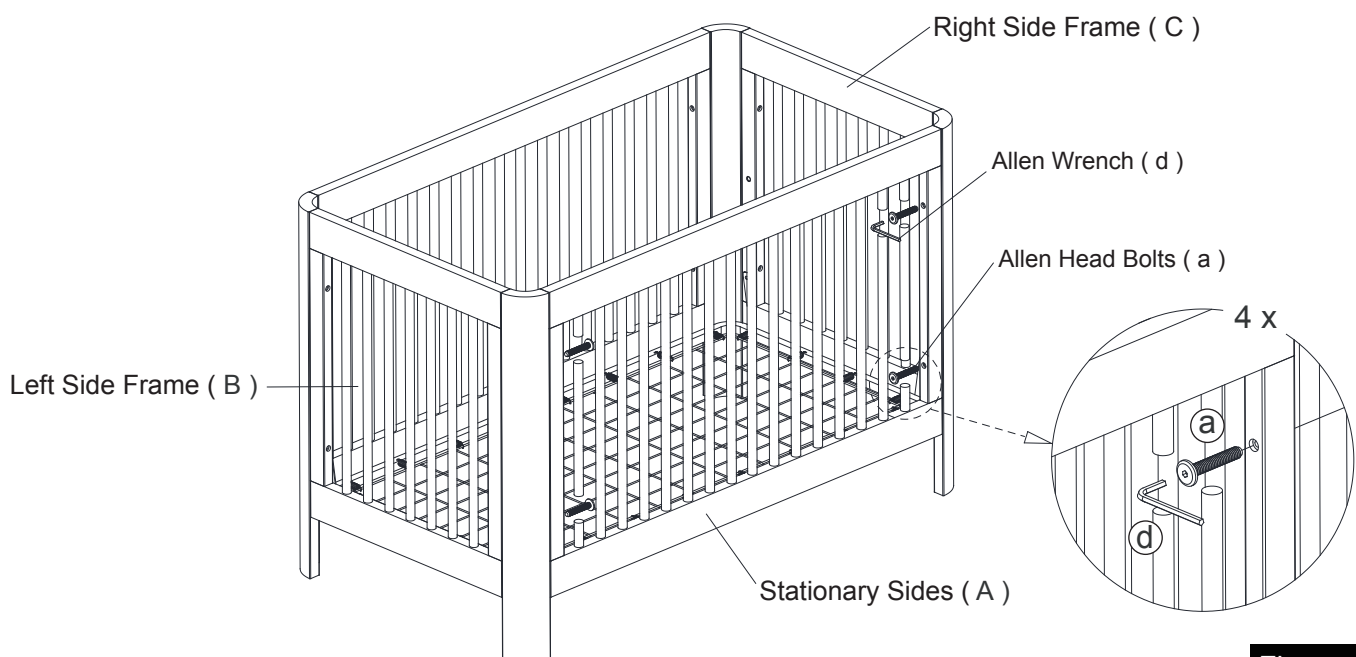


Figure 4 :