



By Sorelle - A Division of C&T International, Inc.
46 Whelan Road, East Rutherford, N. J. 07073 U. S. A.
Tel, + 1(201)531 1919 Fax, + 1(201)531 1920

CRIB WARNINGS

! WARNING - Failure to follow these warnings and assembly instructions could result in serious injury or death.

- Read all instructions before assembling crib. **KEEP INSTRUCTIONS FOR FUTURE USE. DO NOT USE THIS CRIB IF THE INSTRUCTIONS CANNOT BE STRICTLY FOLLOWED.**

! WARNING - Infants can suffocate on soft bedding. Never add a pillow, comforter or padding.

! WARNING

- To reduce the risk of SIDS, pediatricians recommend healthy infants be placed on their backs to sleep, unless otherwise advised by your physician.
- Before each usage or assembly, inspect crib for damaged hardware, loose joints, missing parts or sharp edges. **DO NOT** use crib if any parts are missing or broken. Ask your dealer or write to C&T International/Sorelle for replacement parts and instructional literature if needed. **DO NOT** substitute parts.
- **DO NOT** use a water mattress with this crib.
- Never use plastic shipping bags or other plastic film as mattress covers because they can cause suffocation.
- If refinishing, use a non-toxic finish specified for children's products.
- The product including side rails must be erected prior to use.

! STRANGULATION HAZARD

- To help prevent strangulation tighten all fasteners.
- A child can trap parts of the body or clothing on loose fasteners.
- Strings can cause strangulation! **DO NOT** place items with a string around a child's neck, such as hood strings or pacifier cords. **DO NOT** suspend strings over a crib or attach strings to toys.
- **DO NOT** place crib near window where cords from blinds or drapes may strangle a child. Child may fall out of window. **DO NOT** place cords, straps or similar items that could become wound around the child's neck in or near the crib.

! FALL HAZARD

- When child is able to pull to a standing position, set matter to lowest position and remove bumper pads, large toys and other objects that could serve as steps for climbing out.
- When child is able to climb out or reaches the height of 35 in. (90 cm), the crib shall no longer be used.

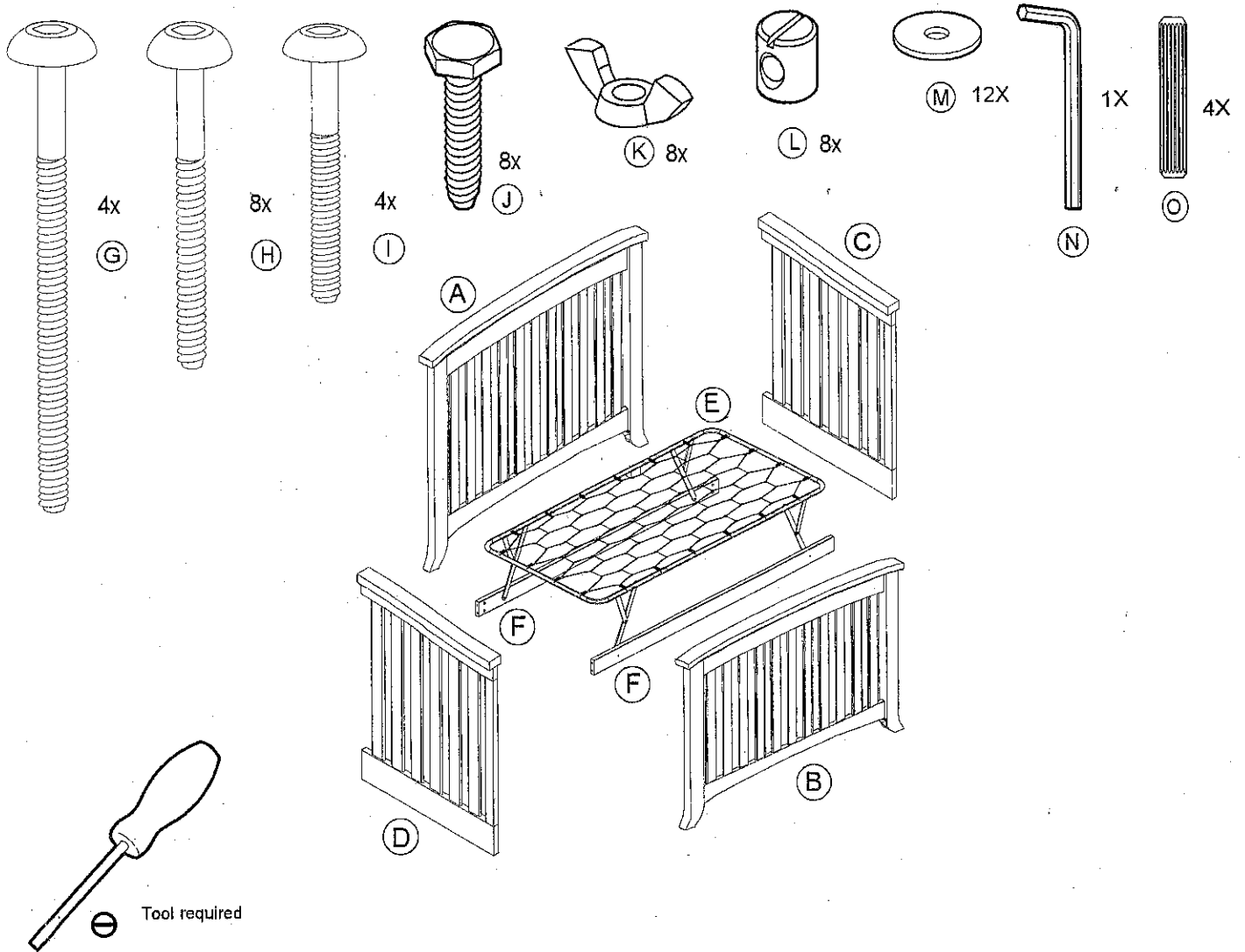
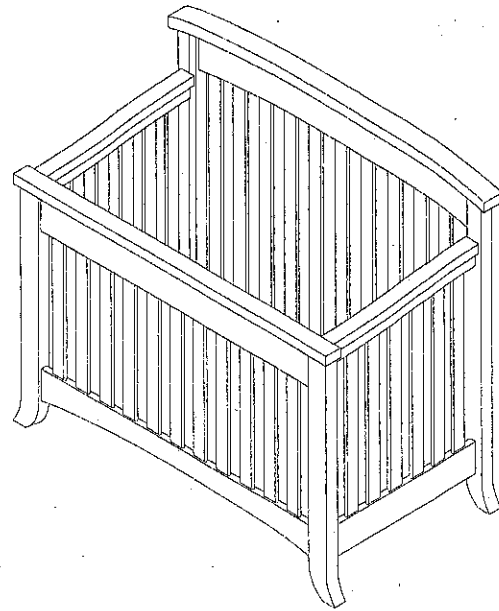
CAUTION : ANY MATTRESS USED IN THIS CRIB MUST BE AT LEAST 27 1/4" (69CM) x 51 5/8" (131 CM) WITH A THICKNESS NOT EXCEEDING 6" (15CM).

- Ensure a safe environment for your child by checking regularly, (that every component is properly and securely in place) before placing your child in the crib. Make sure that all bolts and fasteners are tight.

ASSEMBLY INSTRUCTIONS FOR CRIB

Parts List

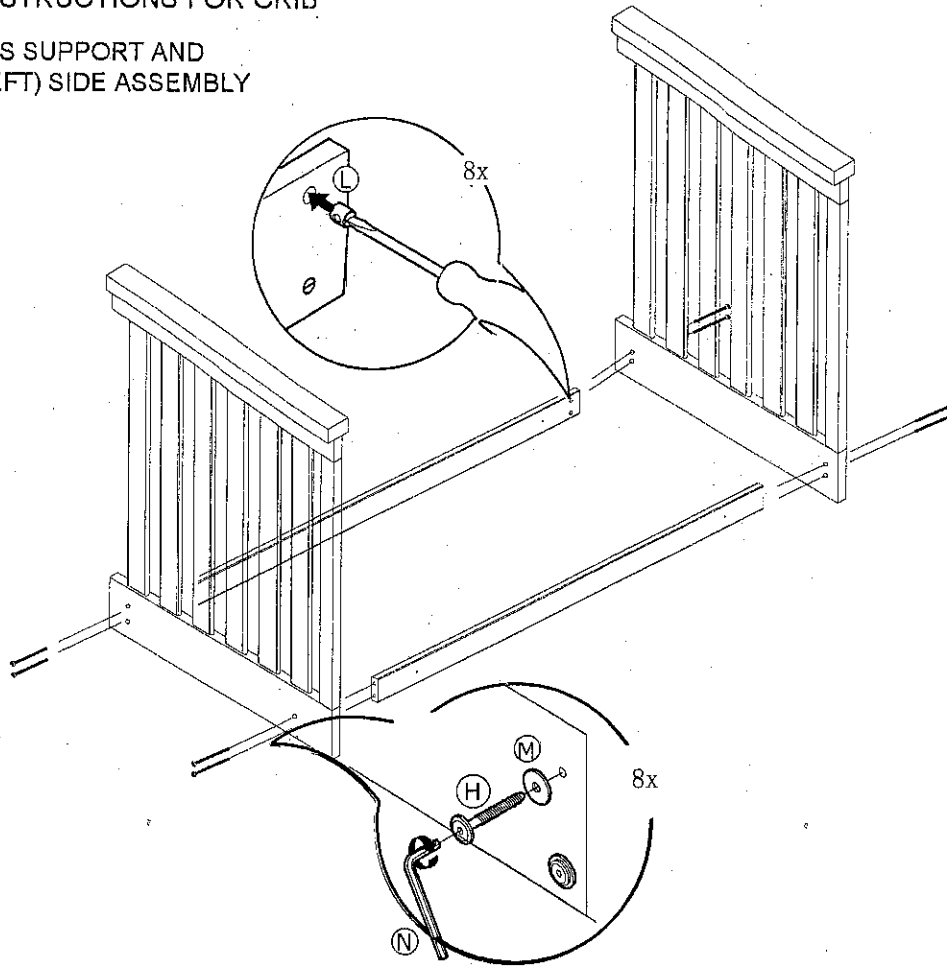
No	Qty	Description
A	1	Headboard
B	1	Footboard
C	1	Right side frame
D	1	Left side frame
E	1	Mattress support
F	2	Stabilizer Bars
G	4	90mm bolts
H	8	70mm bolts
I	4	50mm bolts
J	8	32mm bolts
K	8	Wing Nuts
L	8	Barrel Nuts
M	12	Washers
N	1	Allen key
O	4	Wood dowel



Important: In order to properly assemble the crib, carry out the operations in order specified. Failure to assemble the crib in the manner recommended could make the crib hazardous.

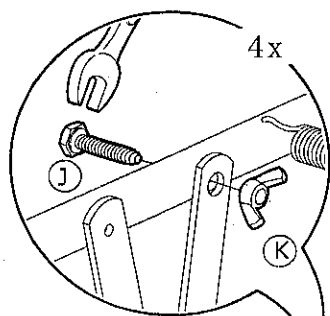
ASSEMBLY INSTRUCTIONS FOR CRIB

1 MATTRESS SUPPORT AND RIGHT (LEFT) SIDE ASSEMBLY

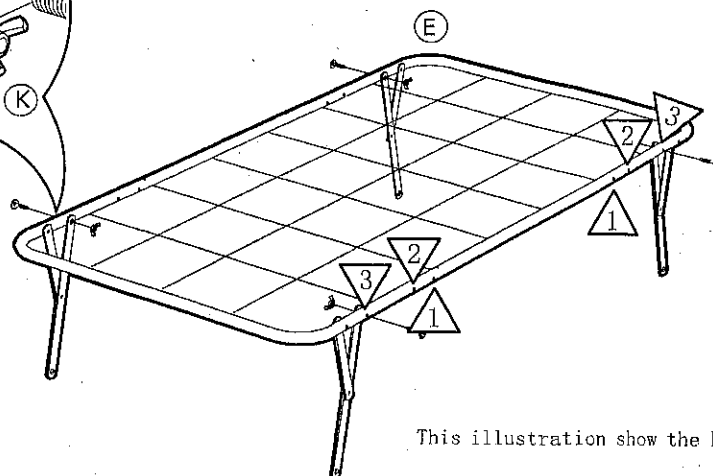


2 Mattress Support Assembly

This crib has a high position setup on mattress support (E) for use during your baby's first months. As soon as your baby starts to sit up or pull up, you must use the lowest mattress level.

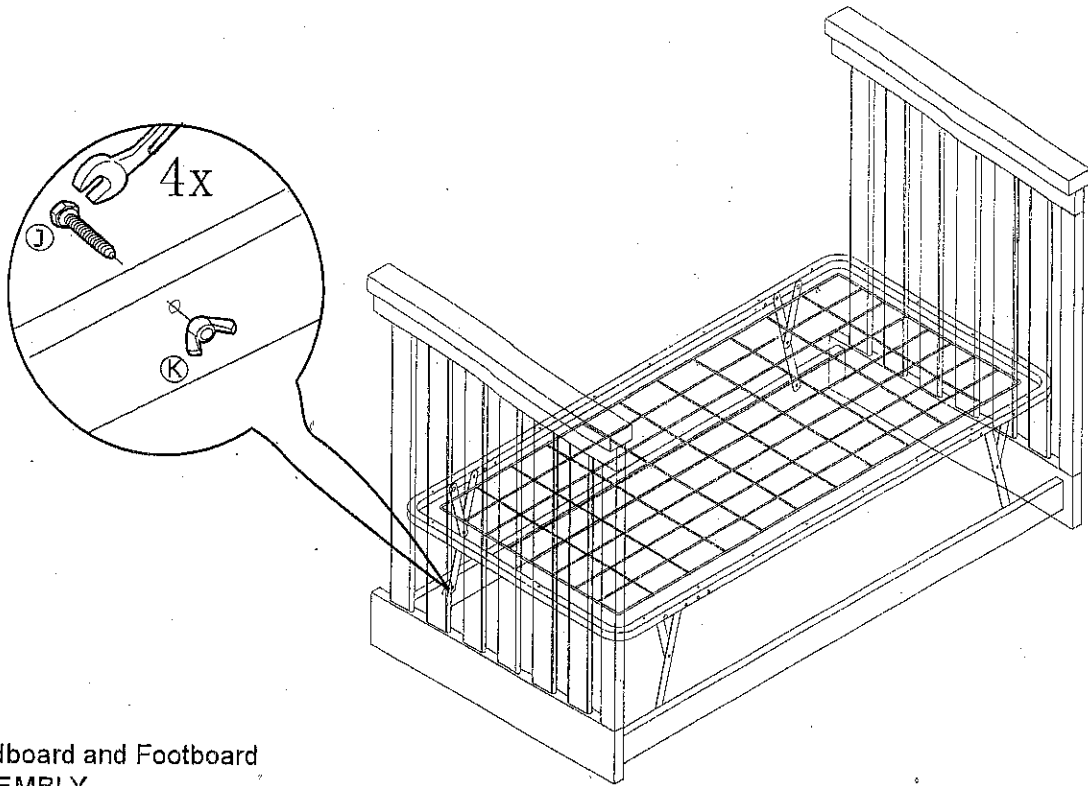


- 1 Lower level
- 2 Center level
- 3 Higher level

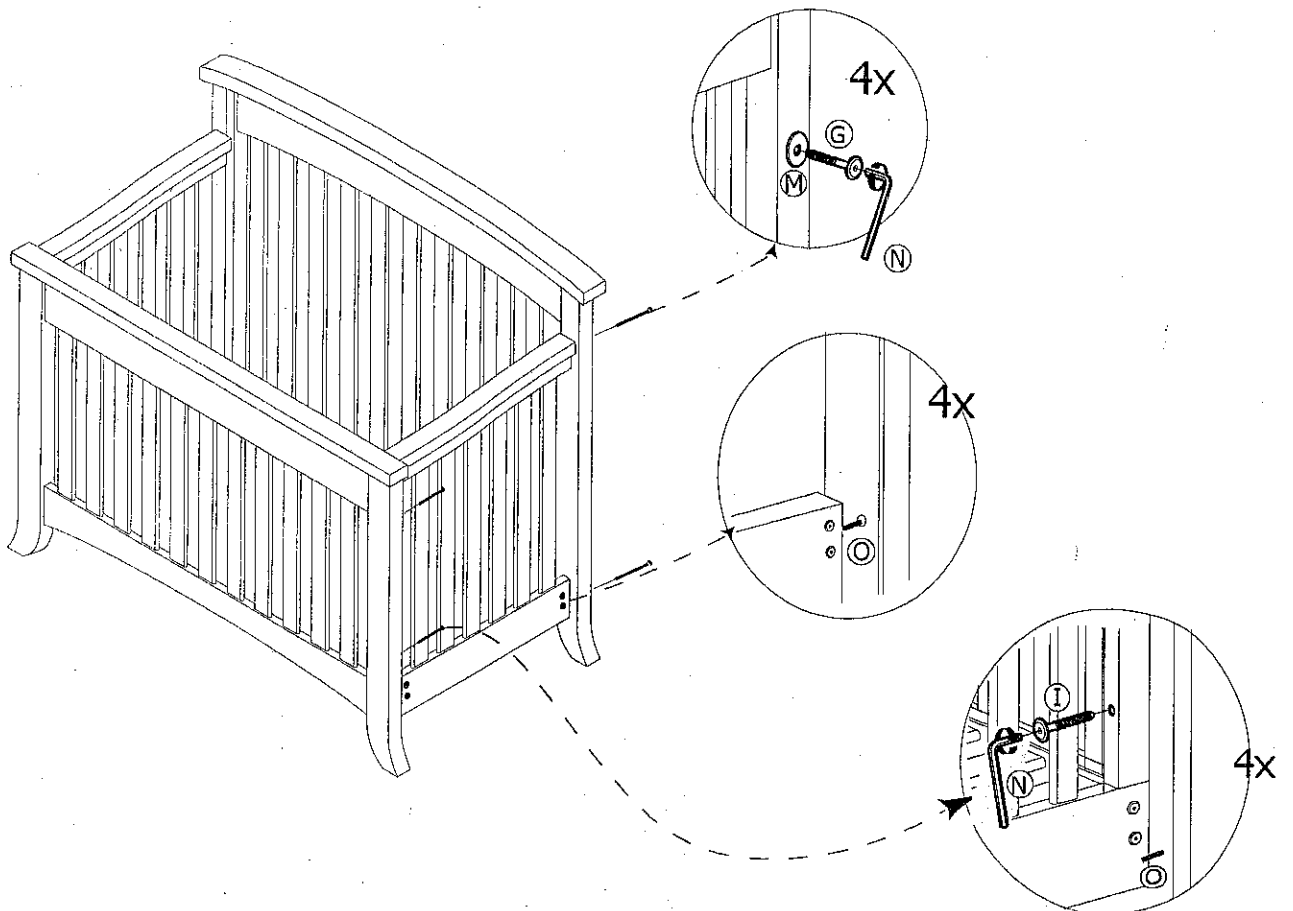


This illustration show the higher level.

3 Mattress Support Assembly



4 Headboard and Footboard ASSEMBLY



5 FINALLY CHECK

- PRIOR TO USING THE CRIB, ENSURE ALL BOLTS ARE TIGHTENED. DO NOT OVER TIGHTEN.
- ENSURE THAT THE MATTRESS IS THE RECOMMENDED SIZE.
- ENSURE THE MATTRESS BASE IS LOCATED AT THE CORRECT LEVEL TO SUIT THE CHILD.
- CRIB IS NOW READY FOR USE.

6 CARE AND MAINTENANCE

- ALWAYS STORE THE CRIB IN A CLEAN AND DRY PLACE.
- TO CLEAN YOUR CRIB, USE A SOFT DAMP CLOTH WITH A SMALL AMOUNT OF MILD SOAP, WIPE IMMEDIATELY WITH A DRY CLOTH.
- DO NOT USE ABRASIVES OR DETERGENT ON CRIB SURFACES.
- REGULARLY CHECK ALL SCREWS AND FITTINGS TO ENSURE THEY ARE TIGHT.
- THE IDEAL BALANCE IS TO MAINTAIN THE TEMPERATURE AROUND 21°C (70°F) AND THE RELATIVE HUMIDITY AT 40% TO PREVENT WARPING OR SPLITTING.