



By Sorelle - A Division of C & T International Inc.
46 Whelan Road East Rutherford, N. J. 07073 U. S. A.
Tel: +1 (201) 531 1919 Fax: +1 (201) 531 1920

READ ALL INSTRUCTIONS BEFORE USE OF THE CRADLE OR CHANGING PAD

 **WARNING**

FALL HAZARD-TO HELP PREVENT FALLS, DO NOT USE THIS PRODUCT WHEN THE INFANT BEGINS TO PUSH UP ON HANDS AND KNEES OR REACHES A MAXIMUM WEIGHT OF 30LBS, WHICHEVER COMES FIRST. FAILURE TO FOLLOW THESE WARNINGS AND INSTRUCTIONS COULD RESULT IN SERIOUS INJURY OR DEATH.

- TO REDUCE THE RISK OF SIDS, PEDIATRICIANS RECOMMEND HEALTHY INFANTS BE PLACED ON THEIR BACKS TO SLEEP, UNLESS OTHERWISE ADVISED BY YOUR PHYSICIAN
- KEEP INSTRUCTIONS FOR FUTURE USE.
- USE ONLY THE PAD PROVIDED BY THE MANUFACTURER.
- ALWAYS PLACE THE CRADLE ON A FLAT, HORIZONTAL FLOOR.
- BE AWARE OF THE RISK OF OPEN FIRES AND OTHER SOURCES OF STRONG HEAT, SUCH AS ELECTRIC BAR FIRES, GAS FIRES, ETC., IN THE NEAR VICINITY OF THE CRADLE.
- YOUNG CHILDREN SHOULD NOT BE ALLOWED TO PLAY UNSUPERVISED IN THE VICINITY OF THE CRADLE.
- DO NOT USE THE BODY OF THE CRADLE WITHOUT ITS FRAMES.
- DO NOT USE THE CRADLE IF IT IS DAMAGED OR BROKEN. ASK YOUR DEALER OR CONTACT MANUFACTURER FOR REPLACEMENT PARTS AND INSTRUCTIONAL LITERATURE IF NEEDED.
- DO NOT SUBSTITUTE PARTS.
- IF REFINISHING, USE A NON-TOXIC FINISH SPECIFIED FOR CHILDREN'S PRODUCTS.
- CHECK FASTENERS PERIODICALLY. DO NOT OVER TIGHTEN. THIS MAY CAUSE DISTORTION OR BREAKAGE.
- RECOMMENDED MATTRESS SIZE 900X470X25MM (PROVIDED)
- STRINGS CAN CAUSE STRANGULATION! DO NOT PLACE ITEMS WITH STRING AROUND A CHILD'S NECK, SUCH AS HOOD STRINGS OR PACIFIERS CORDS. DO NOT SUSPEND STRINGS OVER A BASSINET OR CRADLE OR ATTACH STRINGS TO TOYS.

 **WARNING**

THE CRADLE SHOULD BE LOCKED ON FIXED POSITION WHEN LEAVING AN INFANT UNSUPERVISED IN IT.



**SUFFOCATION HAZARD
INFANTS CAN SUFFOCATE:**

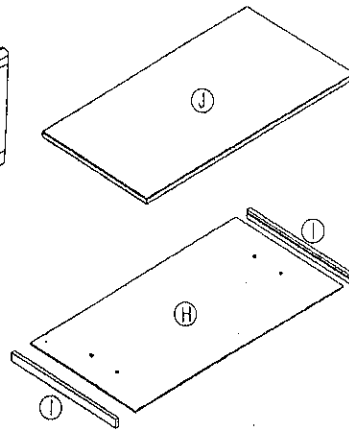
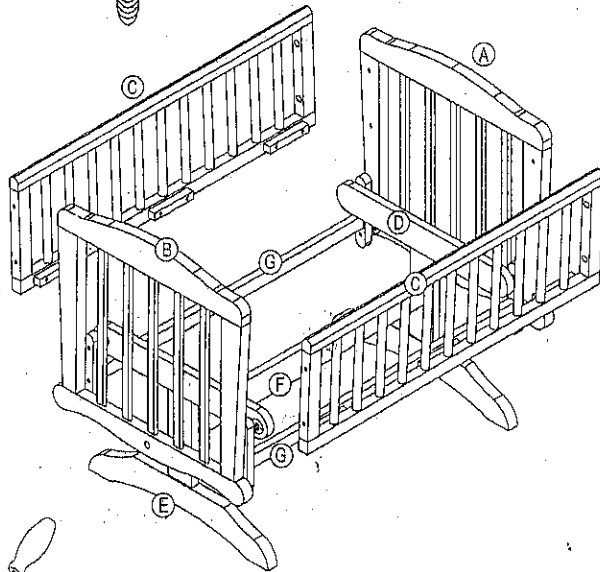
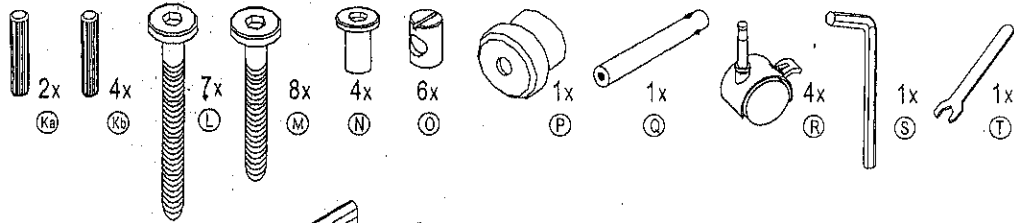
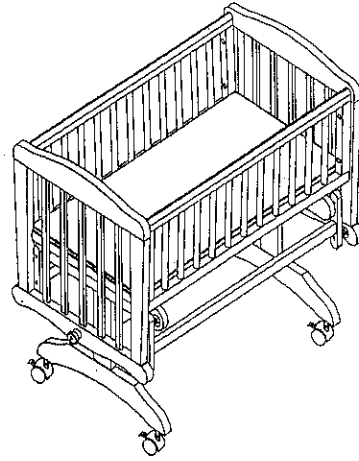
IN GAPS BETWEEN AN EXTRA PAD AND SIDE OF THE CRADLE, ON SOFT BEDDING, NEVER ADD A MATTRESS, PILLOW, COMFORTER, OR PAD. USE ONLY THE ONE PROVIDED BY THE MANUFACTURER OR ONE SPECIFICALLY DESIGNED TO FIT THE DIMENSION OF THE CRADLE MATTRESS.

**WHEN CHILD REACHES A MAXIMUM WEIGHT OF 30LBS.
THE CRADLE SHALL NO LONGER BE USED**

ASSEMBLY INSTRUCTIONS

Parts List

No	Qty	Description
A	1	Right Headboard
B	1	Left Headboard
C	2	Side Frames
D	1	Right Support
E	1	Left Support (Locking End)
F	1	Cross Bar
G	2	Side Bars
H	1	Mattress Support
I	2	Cradle Base Supports
J	1	Changing Pad
Ka	2	9mm Wood Pin
Kb	4	8mm Wood Pin
L	7	6x50mm(1 19/20") Bolts
M	8	6x45mm(1 3/4") Bolts
N	4	Mushroom Nuts
O	6	Barrel Nuts
P	1	Swing Lock Knob
Q	1	Lock Pin
R	4	Caster with Locking mechanism
S	1	Allen Key
T	1	Wrench

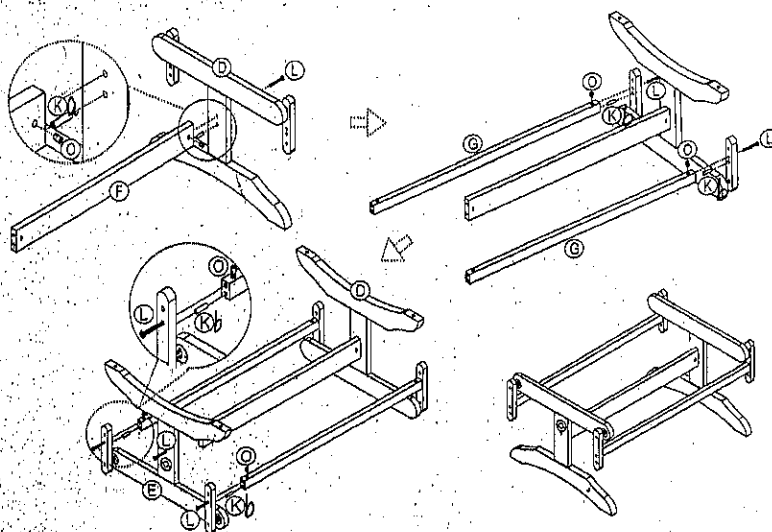


⊖ ⊕
Tool required but not supplied.

Important: In order to properly assemble the cradle, carry out the operations in order specified. Failure to follow the instructions may result in damage to the cradle and injury to the child.

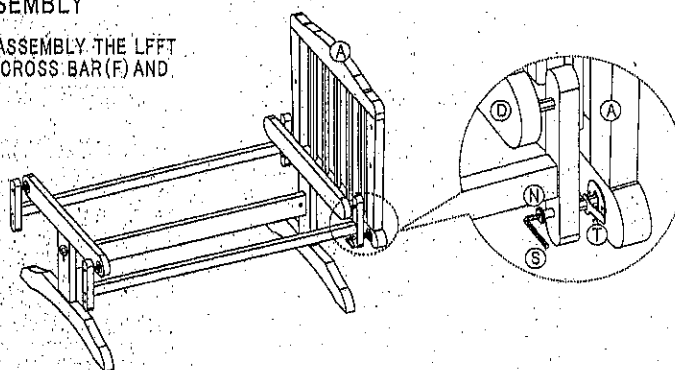
ASSEMBLY INSTRUCTIONS

1 CROSS BAR & SIDE BARS ASSEMBLY



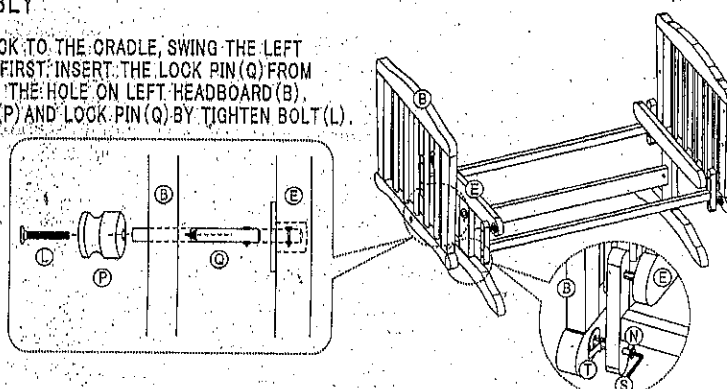
2 HEADBOARDS ASSEMBLY

REPEAT THE STEP TO ASSEMBLY THE LEFT HEADBOARD WITH THE CROSS BAR (F) AND THE SIDE BAR (G).



3 SWING LOCK ASSEMBLY

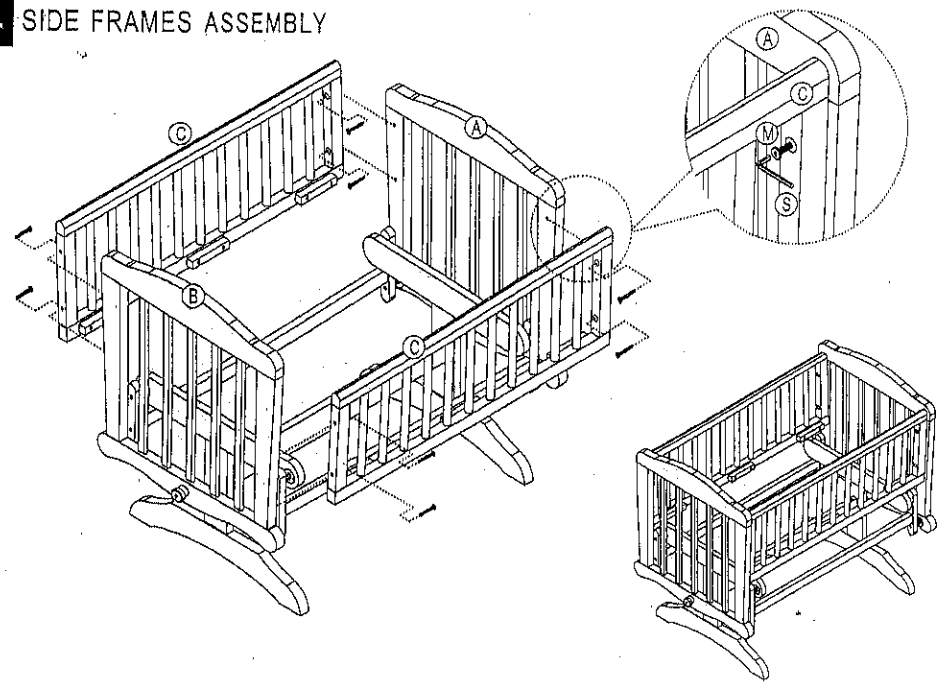
TO ASSEMBLE THE SWING LOCK TO THE CRADLE, SWING THE LEFT HEADBOARD (B) TO ONE SIDE FIRST. INSERT THE LOCK PIN (Q) FROM INSIDE TO OUTSIDE THROUGH THE HOLE ON LEFT HEADBOARD (B). CONNECT THE LOCK HANDLE (P) AND LOCK PIN (Q) BY TIGHTEN BOLT (L).



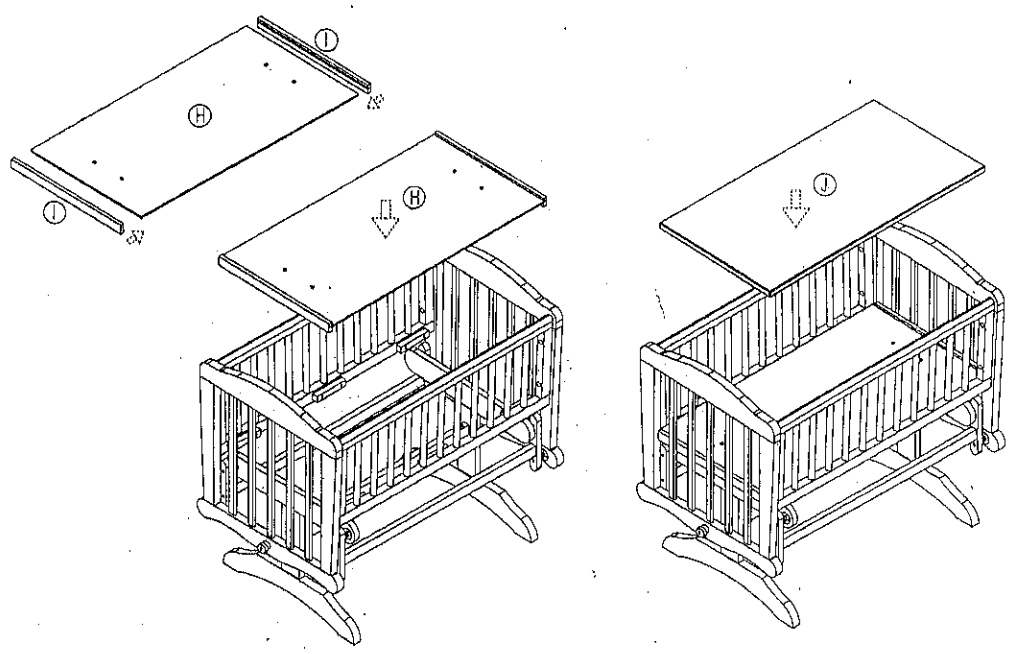


ASSEMBLY INSTRUCTIONS

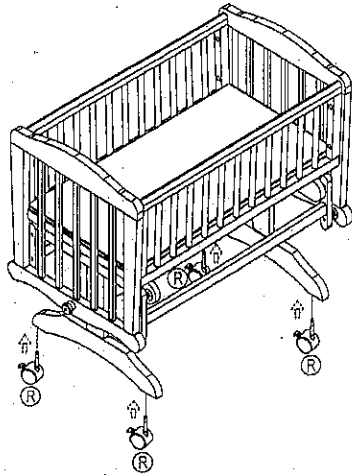
4 SIDE FRAMES ASSEMBLY



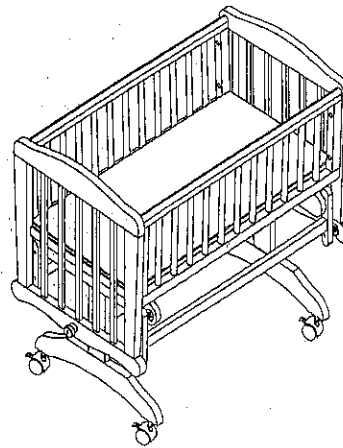
5 PLACE THE MATTRESS SUPPORT (H) ON TOP OF THE LIPS OF WOOD.
PLACE THE CHANGING PAD (J) ON TOP OF THE MATTRESS SUPPORT (H).



ASSEMBLY INSTRUCTIONS

6 CASTERS ASSEMBLY

PLUG IN 4 CASTERS. FOR SAFETY, DO NOT WHEEL THE CRADLE WITH YOUR BABY IN IT. WHEEL THE CRADLE ONLY ON HARDWOOD FLOOR OR HARD SURFACE.

7 SWING THE CRADLE

TO ALLOW THE CRADLE TO SWING, PULL THE KNOB OUT OF THE SWING LOCK AND ROTATE THE KNOB IN EITHER DIRECTION TILL THE LICK PIN IS ABLE TO RELEASE.

TO PREVENT THE CRADLE FROM SWING, REVERSE THIS PROCEDURE.

FINAL CHECK

- PROR TO USING THE CRADLE, ENSURE ALL BOLTS ARE TIGHTENED, DO NOT
- ENSURE THAT THE MATTRESS IS THE RECOMMENDED SIZE.
- CRADLE IS NOW READY FOR USE.

CARE AND MAINTENANCE

- ALWAYS STORE THE CRADLE IN A CLEAN AND DRY PLACE.
- TO CLEAN YOUR CRADLE, USE A SOFT DAMP CLOTH WITH A SMALL AMOUNT OF MILD SOAP, WIPE IMMEDIATELY WITH A DRY CLOTH.
- DO NOT USE ABRASIVES OR DETERGENT ON CRADLE SURFACES.
- REGULARLY CHECK ALL SCREWS AND FITTINGS TO ENSURE THEY ARE TIGHT.
- THE IDEAL BALANCE IS TO MAINTAIN THE TEMPERATURE AROUND 21°C (70°F) AND THE RELATIVE HUMIDITY AT 40% TO PREVENT WARPING OR SPLITTING.