



By Sorelle - A Division of C & T International, Inc.

46 Whelan Road, East Rutherford, N.J.07073 U.S.A.

Tel, +1(201) 531 1919 Fax, +1(201) 531 1920

Website: www.sorellefurniture.com



CAPE COD Crib & Changer

Important Information:

Read all instructions **BEFORE** assembling crib.

KEEP INSTRUCTIONS FOR FUTURE USE.

Crib Warnings:**⚠️ WARNING:**

- *Infants can suffocate on soft bedding. Never add a pillow or comforter. Never place additional padding under an infant.
- *Failure to follow these warnings and the assembly instructions could result in serious injury or death. **DO NOT** use this crib if you cannot exactly follow the accompanying instructions.
- *To reduce the risk of SIDS, pediatricians recommend healthy infants be placed on their backs to sleep, unless otherwise advised by your physician.
- ***Strangulation Hazard: STRINGS CAN CAUSE STRANGULATION! Do not** place items with a string around a child's neck, such as hood strings or pacifier cords. **Do not** suspend strings over a crib or attach strings to toys.
- ***Strangulation Hazard:** To help prevent strangulation tighten all fasteners. A child can trap parts of the body or clothing on loose fasteners.
- ***Strangulation Hazard: Do not** place crib near window or patio door where cords from blinds or drapes may strangle a child.
- ***Fall Hazard:** When child is able to pull to a standing position, set mattress to lowest position and remove bumper pads, large toys and other objects that could serve as steps for climbing out. This crib has an adjustable mattress support. For the convenience of the parent when the baby is very small, the mattress support may be used in the highest position.
- ***Fall Hazard:** Stop using crib when child begins to climb out or reaches a height of 35in. (89cm), whichever occurs first. The child should be placed in a youth or regular bed.
- *Check this product for damaged hardware, loose joints, loose bolts or other fasteners, missing parts, or sharp edges before and after assembly and frequently during use. Securely tighten loose bolts and other fasteners. **Do not use crib** if any parts are missing, damaged or broken. Contact C&T International / Sorelle for replacement parts and instructional literature if needed. Do not substitute parts.
- *Follow warnings on **all** products in a crib.
- *If refinishing, use a non-toxic finish specified for children's products.
- ***Never** use plastic shipping bags or other plastic film as mattress covers because they can cause suffocation.
- *Infants can suffocate in gaps between crib sides and a mattress that is too small.
- *Ensure a safe environment for the child by checking regularly, before placing the child in the crib, that every component is properly and securely in place.
- *To avoid head injury, do not allow any child to play underneath the crib.
- ***Never** add an accessory such as a bassinet or changing table that extends over the sleeping area.

CAUTION : ANY MATTRESS USED IN THIS CRIB SHALL BE AT LEAST 27 1/4" (69CM) x 51 5/8" (131 CM) WITH A THICKNESS NOT EXCEEDING 6" (15CM).

Toddler Bed Warnings:**⚠️WARNING****INFANTS HAVE DIED IN TODDLER BEDS FROM ENTRAPMENT.**

Openings in and between bed parts can entrap head and neck of a small child.

NEVER use bed with children younger than 15 months.

ALWAYS follow assembly instructions.

The maximum user weight is 50lbs (22.7kg)

⚠️WARNING**STRANGULATION HAZARD**

NEVER place bed near windows where cords from blinds or drapes may strangle a child.

NEVER suspend strings over a bed.

NEVER place items with a string, cord, or ribbon, such as hood strings or pacifier cords, around a child's neck. These items may catch on bed parts.

⚠️CAUTION**ENTRAPMENT HAZARD**

To avoid dangerous gaps, any mattress used in this bed shall be a full-size crib mattress at least 51 5/8 in (1310mm) in length, 27 1/4 in (690mm) in width and 4 in (100mm) in thickness. The mattress thickness must not exceed 6 in (150mm).

Changing Table Warnings:**⚠️WARNING**

FALL HAZARD - to prevent death or serious injury, always keep child within arm's reach. Read all instructions before use of the changing table.

KEEP THESE INSTRUCTIONS IN A SAFE PLACE FOR FUTURE USE.

Inspect the changing table periodically. **Do not** use the changing table if it is damaged or broken. Contact C&T International Inc. with any questions.

Tighten all loose screws and bolts before each use.

The maximum recommended weight of the child is 30lbs for the changing table.

Use only the pad provided by C&T International / Sorelle or Manufacturer's

Always secure the pad to the changing surface by inserting the strap through the hole in the middle of the pad. See Instructions.

NEVER use crib without Changing Table attached

NOTES ON ASSEMBLY:

-During the assembly process whenever using screws or bolts, check each by placing the screw/bolt on the diagram of the item which is drawn actual size and design. Be sure to use the proper size and shape specified in the instructions.

-To assemble this unit you may be required to place the unit on it's side and face. It is strongly recommended that assembly is done on a soft, non-abrasive surface to avoid damaging the finish.

NOTES ON USE:

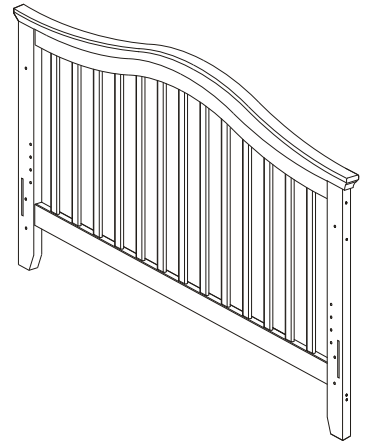
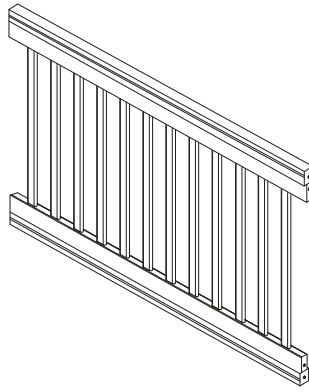
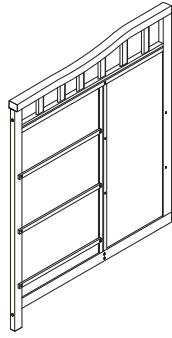
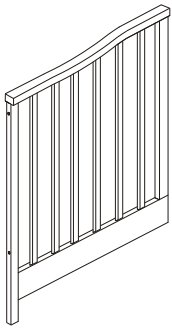
Keep children and others safe by following these simple rules:

- **Do not** allow any child to play on furniture
- **Do not** allow climbing on any piece of furniture.
- **Do not** allow hanging from any piece of furniture.
- Always monitor your child's activity when in the nursery.

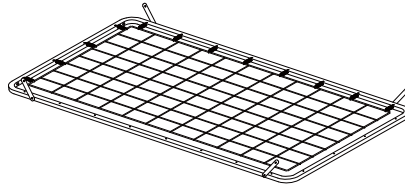
NOTES ON CARE AND MAINTENANCE:

- **Do not** scratch or chip the finish.
- Inspect the product periodically, contact C&T International / Sorelle for replacement parts or questions.
- **Do not** store the product or any parts in extreme temperatures and conditions such as a hot attic or a damp, cold basement. These extremes can cause a loss of structural integrity.
- To preserve the luster of the high quality finish on your product, it is recommended to place a felt pad under any items you place on the finish.
- Clean with a damp cloth, then a dry cloth to preserve the original luster and beauty of this fine finish.
- Do not** use abrasive chemicals.
- Do not** spray cleaners directly onto furniture.
- Lift slightly when moving on carpeting to prevent leg breakage.
- Use of a vaporizer near furniture will cause wood to swell and finish to peel.

Crib Assembly Parts

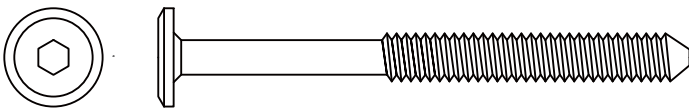


(A1) Left Crib End (1 pc) (B1) Center Crib End (1 pc) (C1) Front Side Rail (1 pc) (D1) Back Side Rail (1 pc)

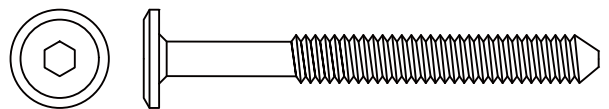


(E1) Left Corner Post (1 pc) (F1) Middle Corner Post (1 pc) (G1) Mattress Support (1 pc)

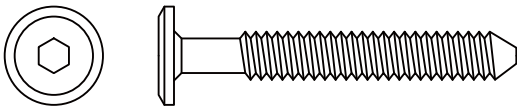
Assembly Hardware Set



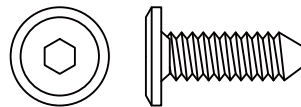
(a) M6 x 90mm Allen bolt (4 pcs)



(c) M6 x 55mm Allen bolt (4 pcs)



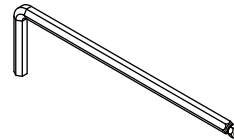
(c1) M6 x 45mm Allen bolt (4 pcs)



(o) M6 x 19mm Allen bolt (4 pcs)

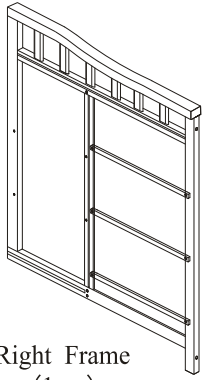


(d) 8 x 30 mm Wood Dowels (6pcs)



(m) Allen Key (1 pcs)

Changer Assembly Parts



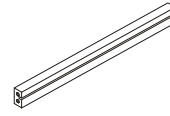
(A) Right Frame
(1 pc)



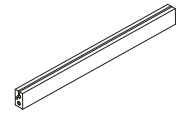
(B) Right Corner Post
(1 pc)



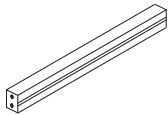
(C) Back Corner Post
(1 pc)



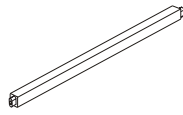
(D) Back Shelf Support
(1 pc)



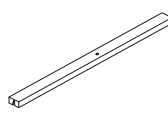
(E) Middle Shelf Support
(1 pc)



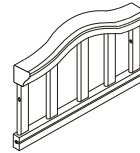
(F) Front Bottom
Shelf Support (1 pc)



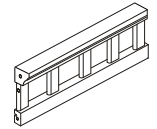
(G) Front Shelf
Supports (2 pcs)



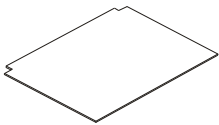
(H) Support Bar
(1 pc)



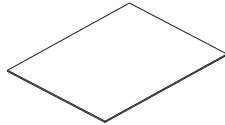
(I) Back Decorative
Panel (1 pc)



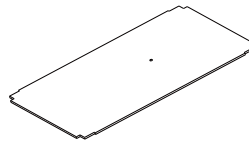
(J) Front Decorative
Panel (1 pc)



(K) Back Bottom Insert
(1 pc)



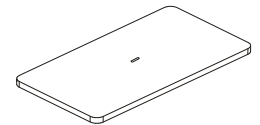
(L) Shelf Panels
(2 pcs)



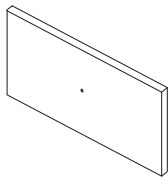
(M) Top Shelf Insert
(1 pc)



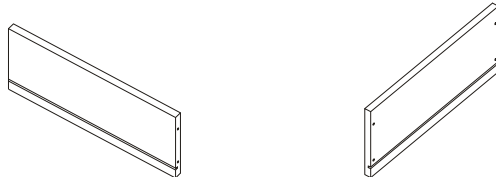
(N) Middle
Panel (1 pc)



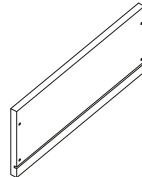
(O) Pad (1 pc)



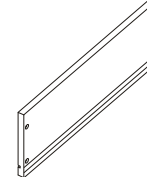
(P) Drawer Front
Panels (3 pcs)



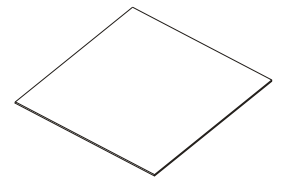
(Q) Drawer Back
Panels (3 pcs)



(R) Drawer Left
Panels (3 pcs)

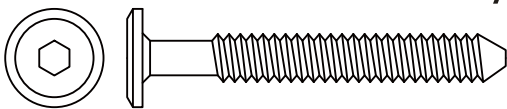


(S) Drawer Right
Panels (3 pcs)

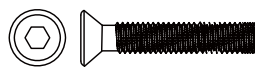


(T) Drawer Bottom
Panels (3 pcs)

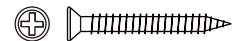
Assembly Hardware Set



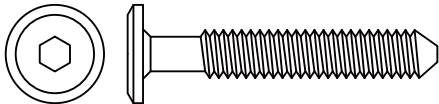
(a) M6 x 90mm Allen Head Bolts (4 pcs)



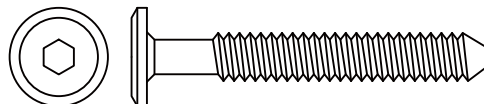
(e) M6 x 22mm Allen Head Bolt (1 pc)



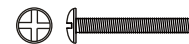
(i) Phillips Screws
(24 pcs)



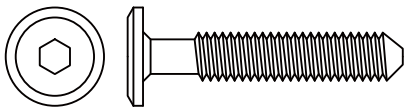
(b) M6 x 70mm Allen Head Bolts (6 pcs)



(f) M6 x 83mm Allen Head Bolts (2 pcs)



(j) Knop Screws
(3 pcs)



(c) M6 x 54mm Allen Head Bolts
(8 pcs)



(g) Wall Strap Kit
(1 pc)



(k) Drawer Knops
(3 pcs)



(m) Allen Key
(1 pc)



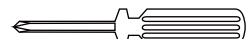
(d) 8x30mm Wood Dowels
(13 pcs)



(h) Safety Belt (1 pc)



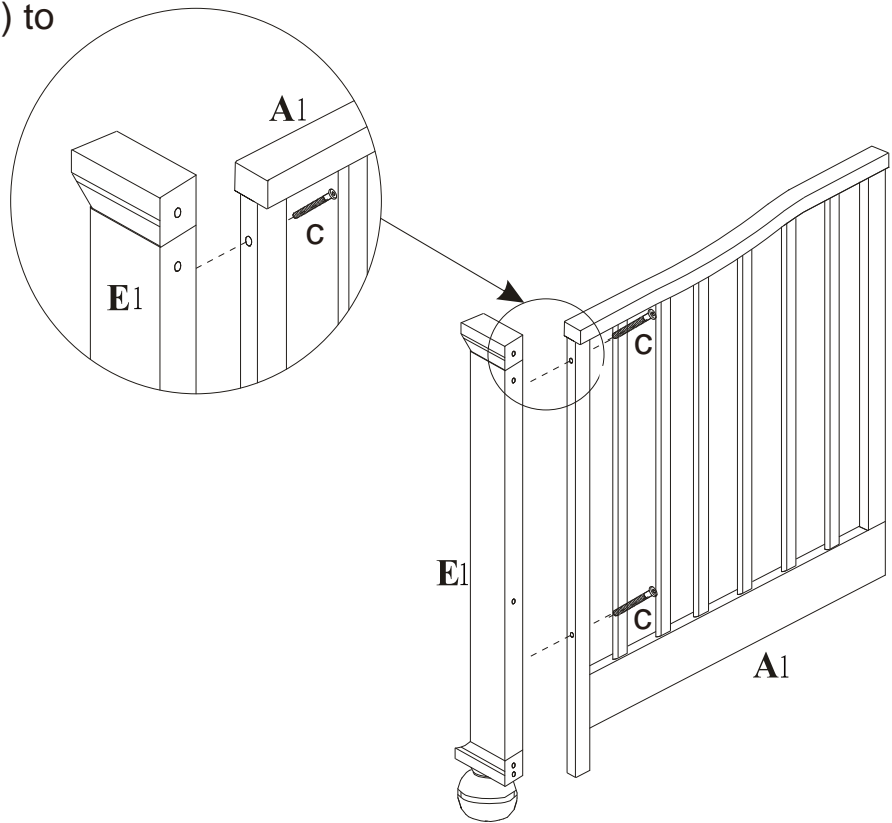
(l) Shelf Support
Brackets (8 pcs)



(n) Screwdriver
(1 pc)

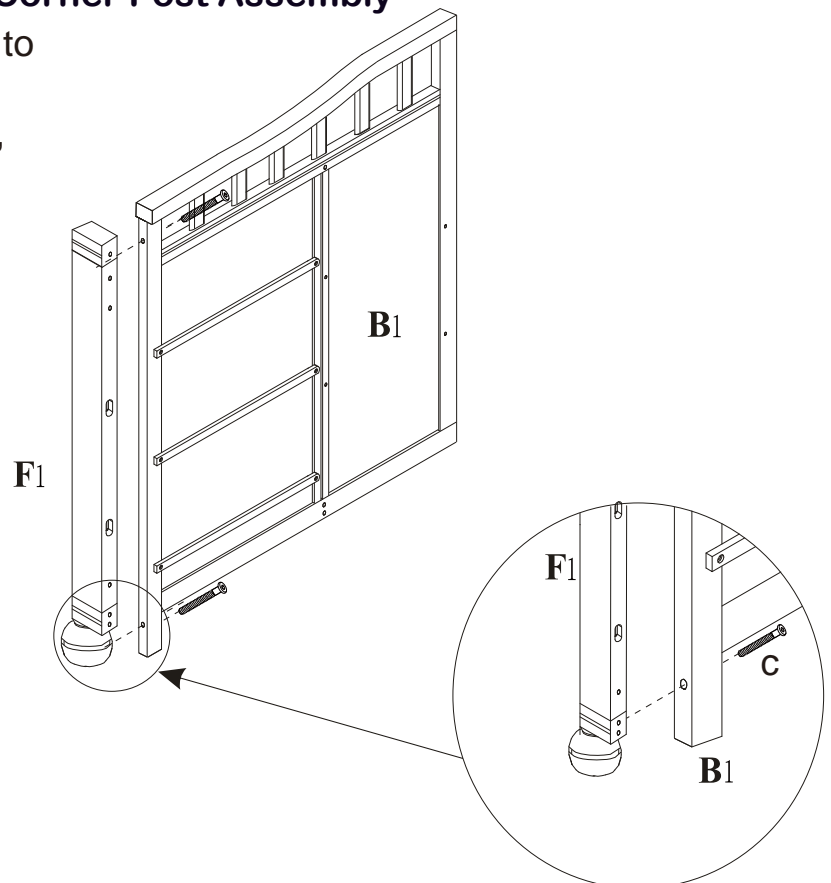
1 Left Crib End with Left Corner Post Assembly

Attach the Left Crib End(A1) to the Left Corner Post(E1) by using the 54mm bolt(c), As shown in the pictures.



2 Center Crib End with Middle Corner Post Assembly

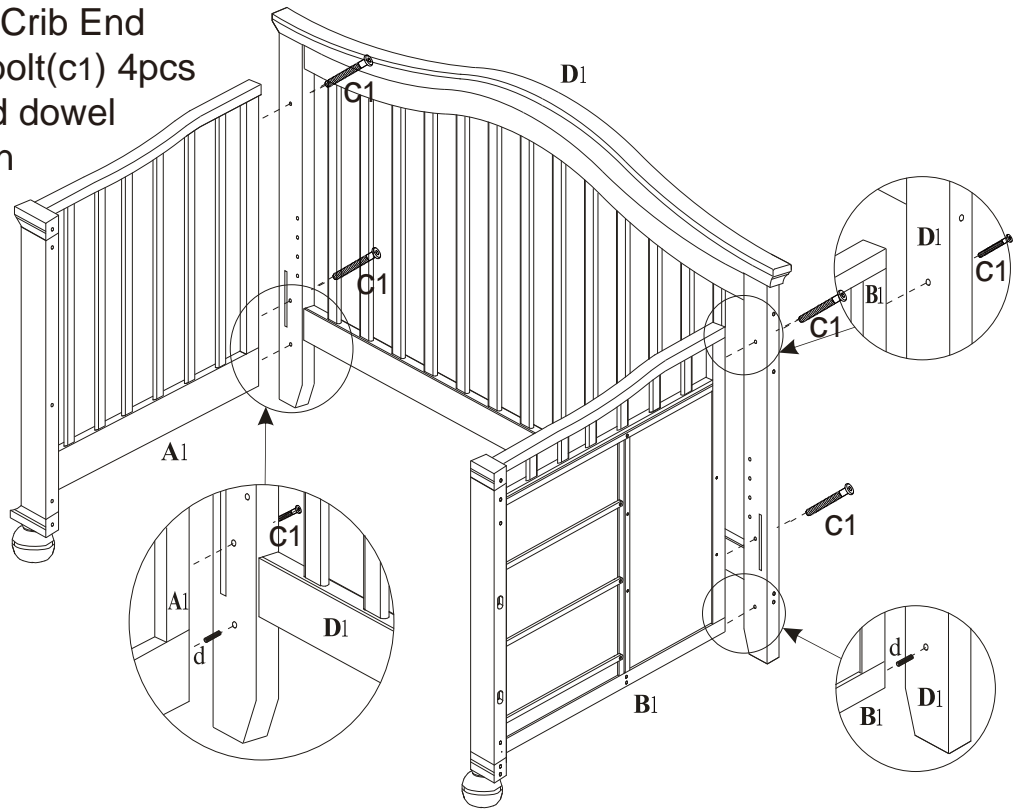
Attach the Center Crib End(B1) to the Center Corner Post(F1) by using the 54mm bolt(c) 2pcs, As shown in the pictures.



Crib Assembly

3 Headboard Assembly

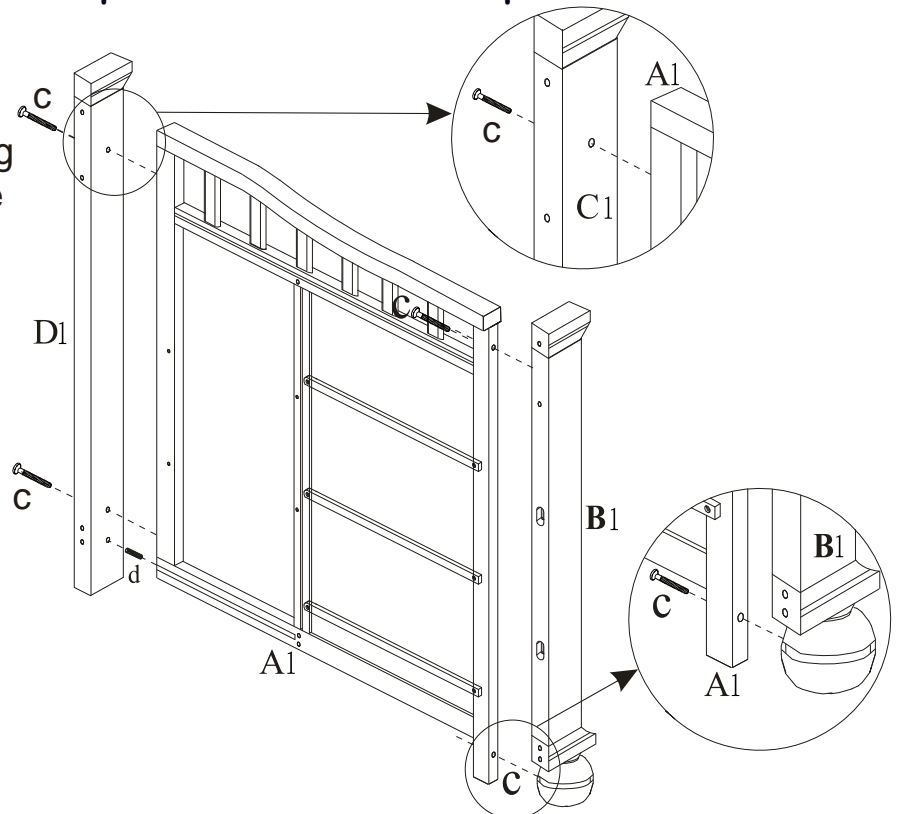
Attach the Headboard(D1) to the Left and Center Crib End by using the 43mm bolt(c1) 4pcs and the 30mm wood dowel (d)2pcs, As shown in the pictures.



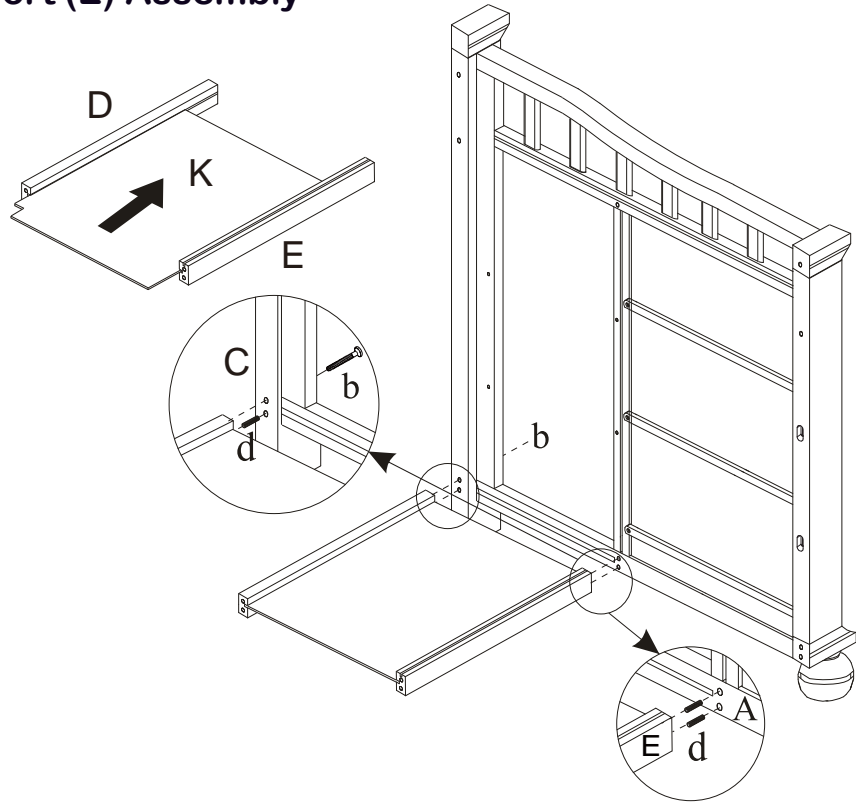
Changer Assembly

1 Right Frame with Right Corner post and Back Corner post

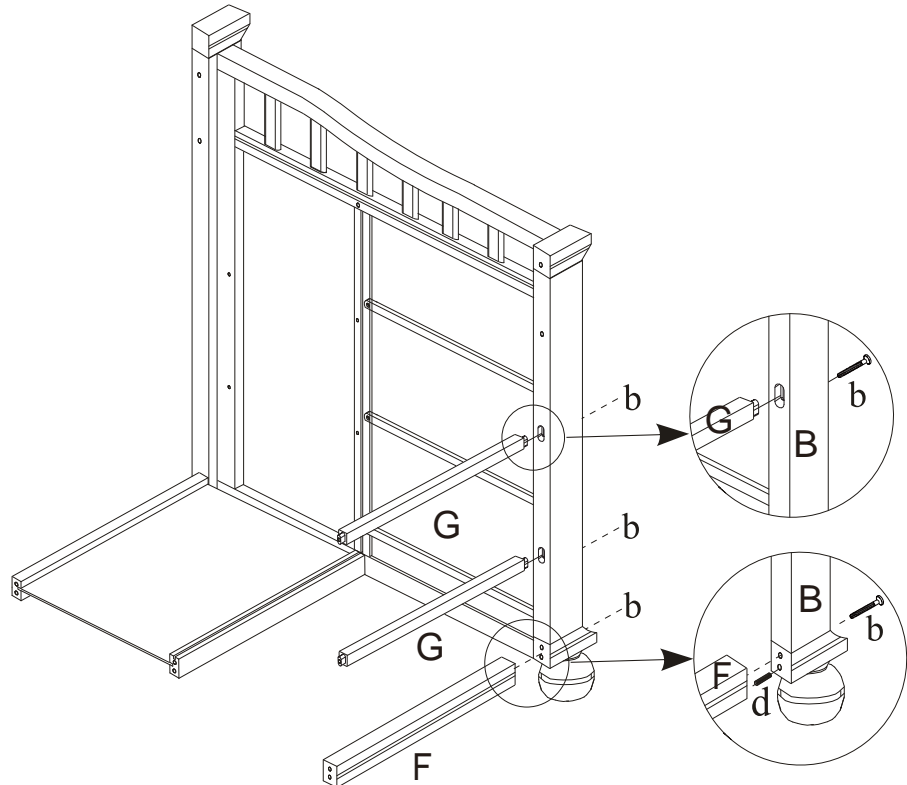
Attach the Right Frame(A1) to the Right Corner Post(B1) and Back Corner Post(C1) by using the 54mm bolt(c) 4pcs and the 30mm wood dowel(d) 1pc, As shown in the pictures.



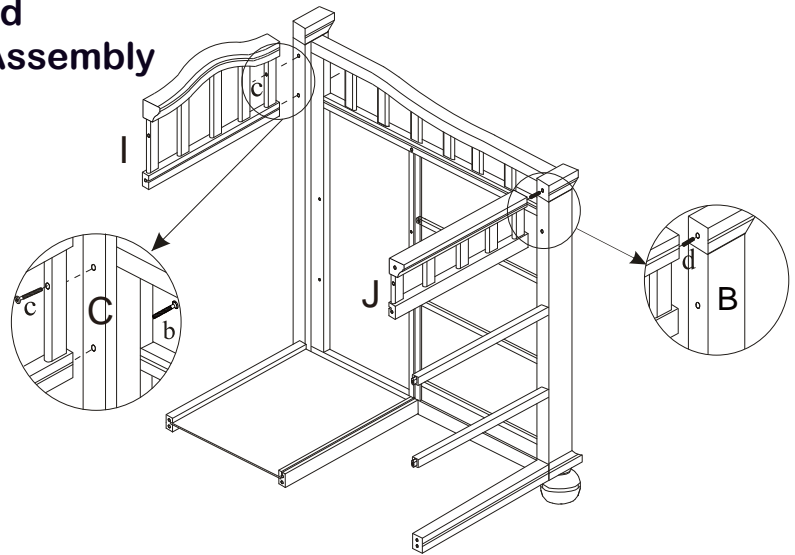
2 Back bottom insert (K) with Back shelf support (D) and Middle shelf support (E) Assembly



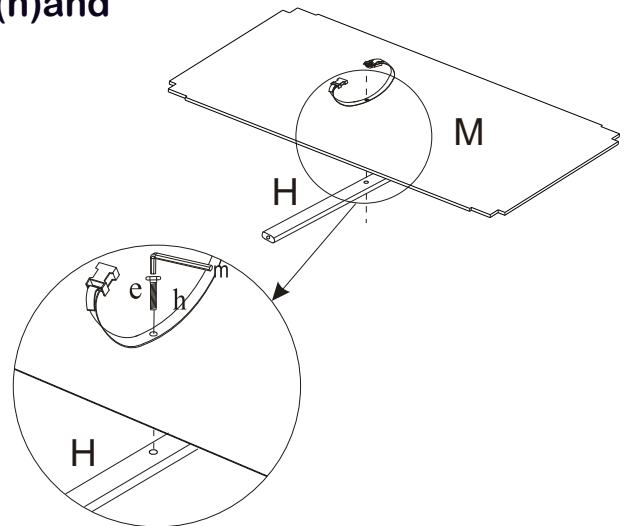
3 Front bottom shelf support (F) and Front shelf support (G) Assembly



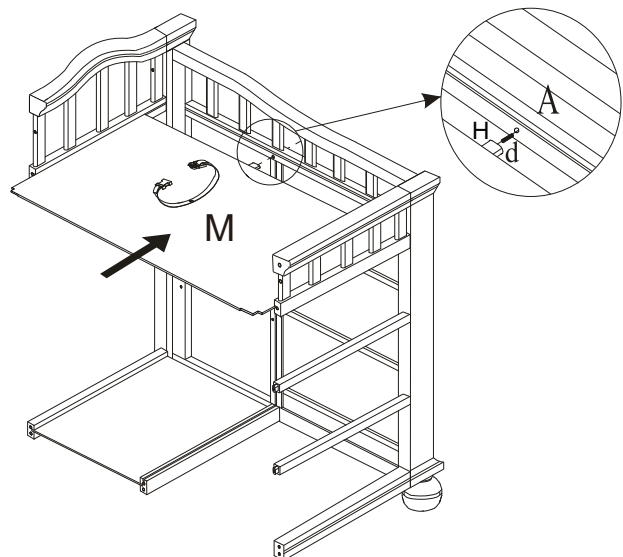
4 Back decorative panel (I) and Front decorative panel (J) Assembly



5 Top shelf insert (M) with Safety belt(h) and Support bar (H) Assembly

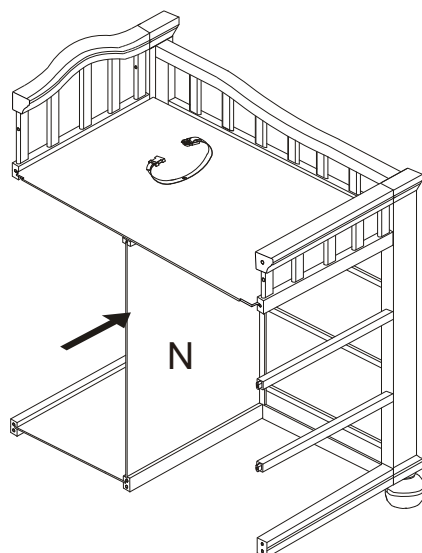


6



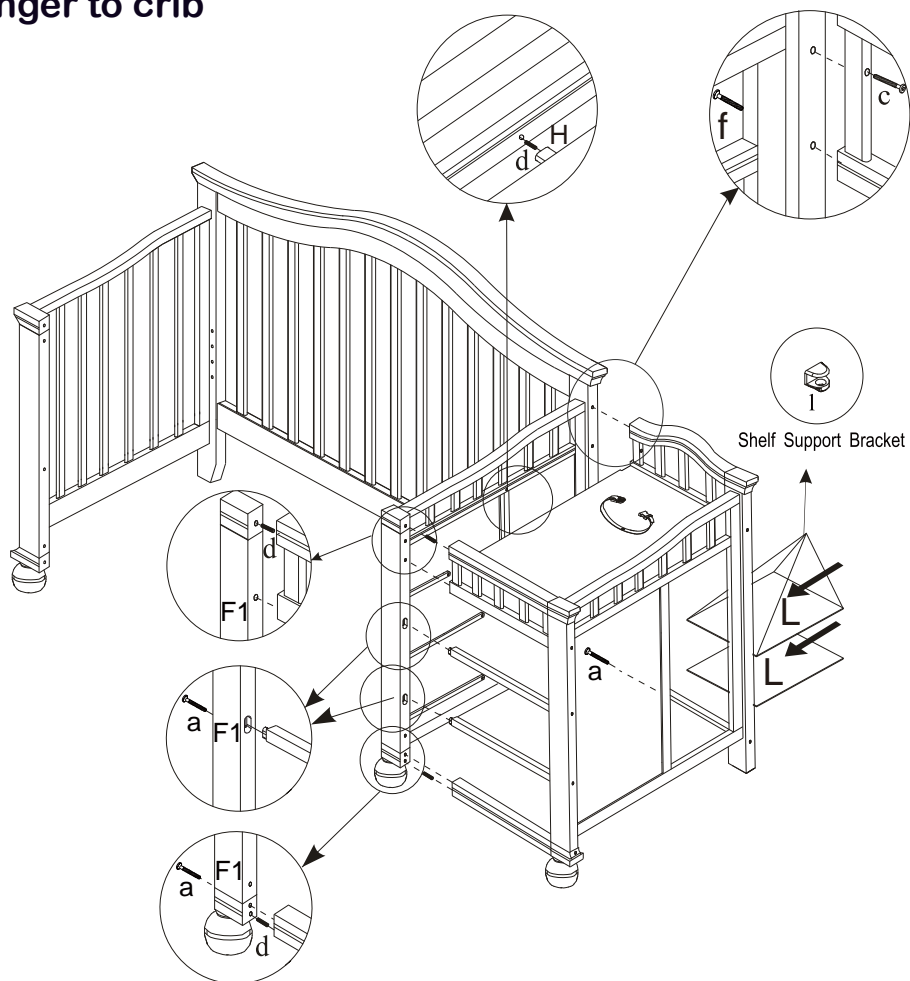
Changer Assembly

7 Middle panel (N) Assembly



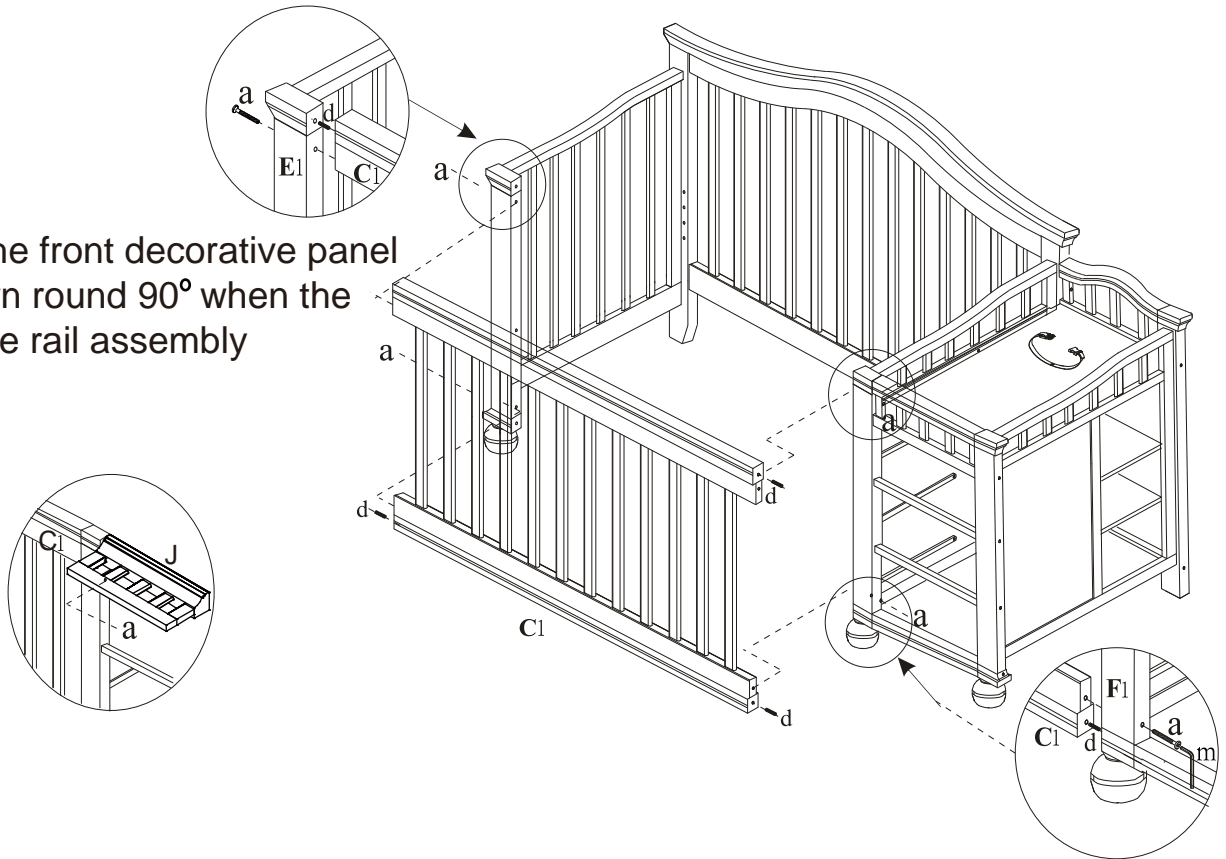
Crib & Changer Assembly

1 Shelf panels (L) Assembly Then attach the Changer to crib



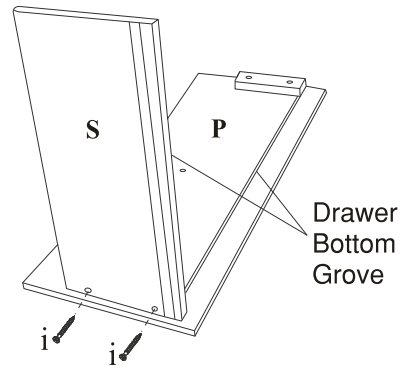
2 Front Side Rail (C) Assembly

Note: The front decorative panel must turn round 90° when the front side rail assembly

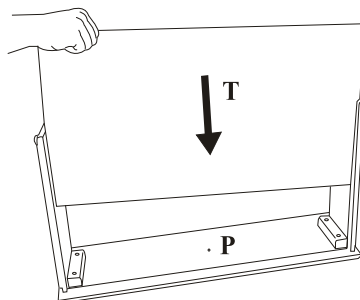


Drawer Assembly

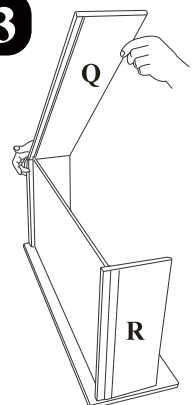
1



2

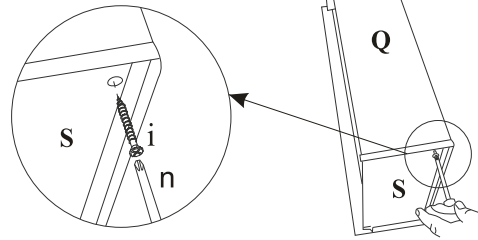


3

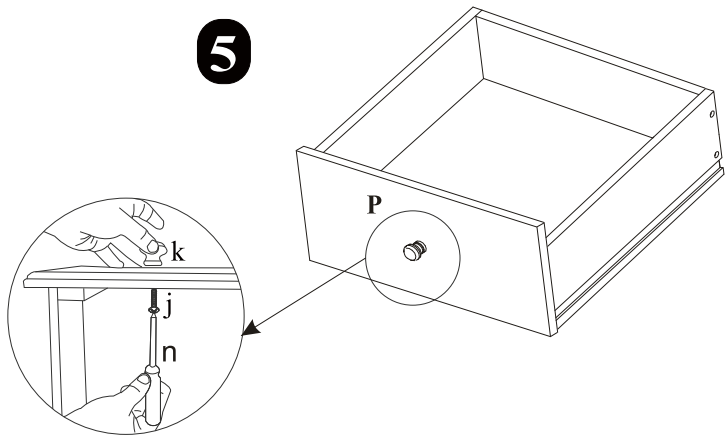


Drawer Assembly

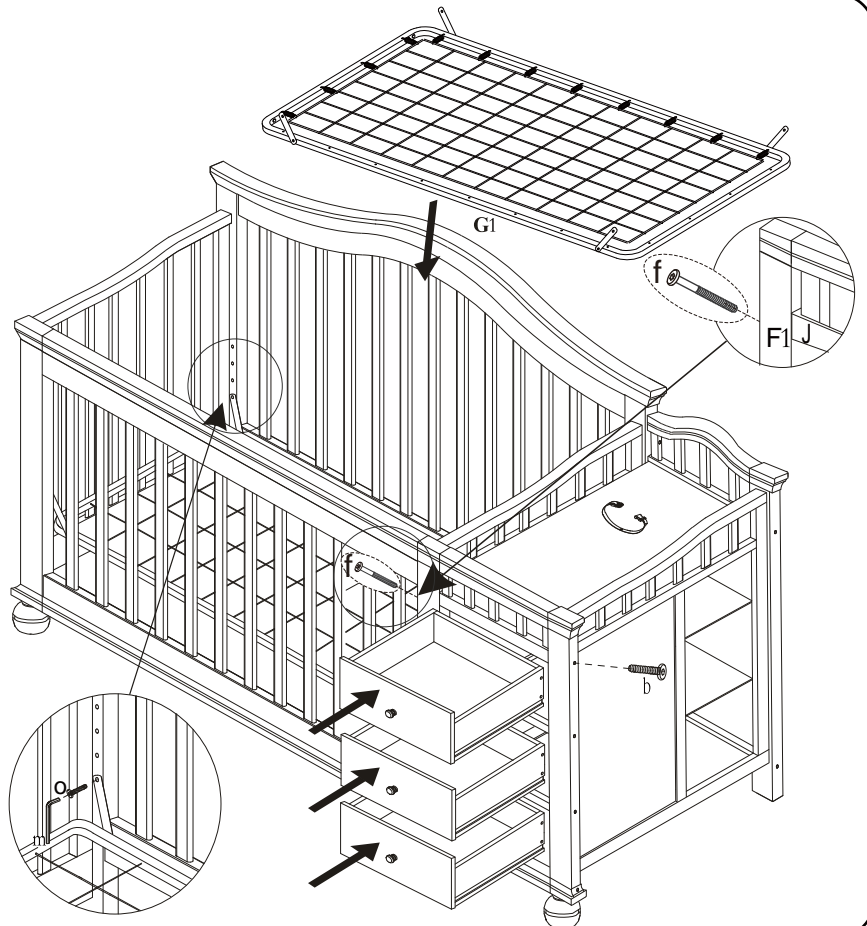
4



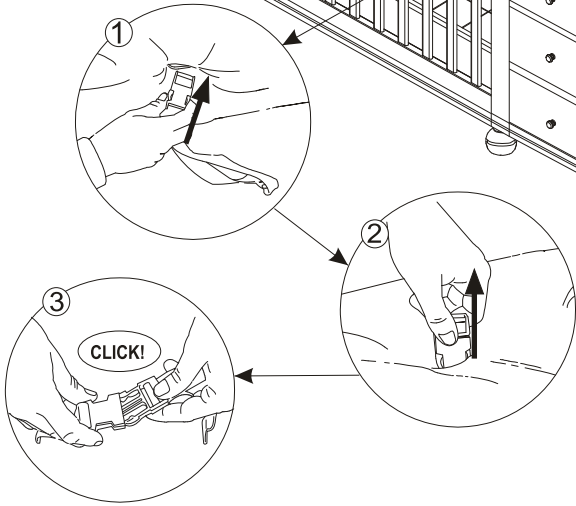
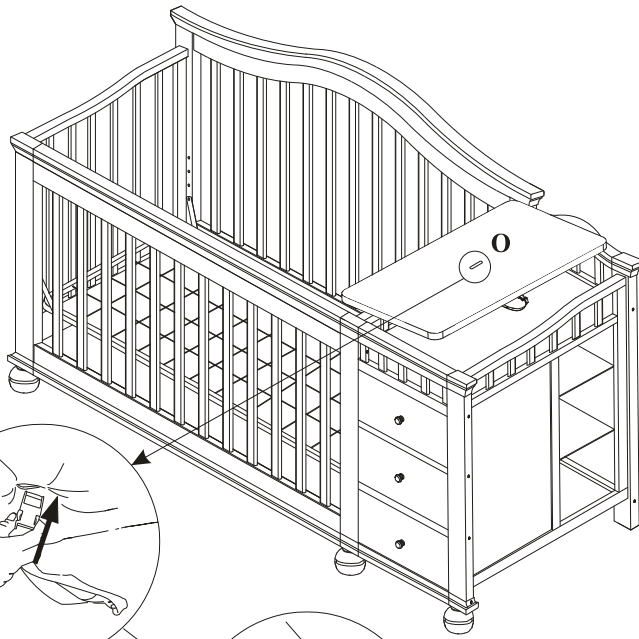
5



Mattress Support Assembly

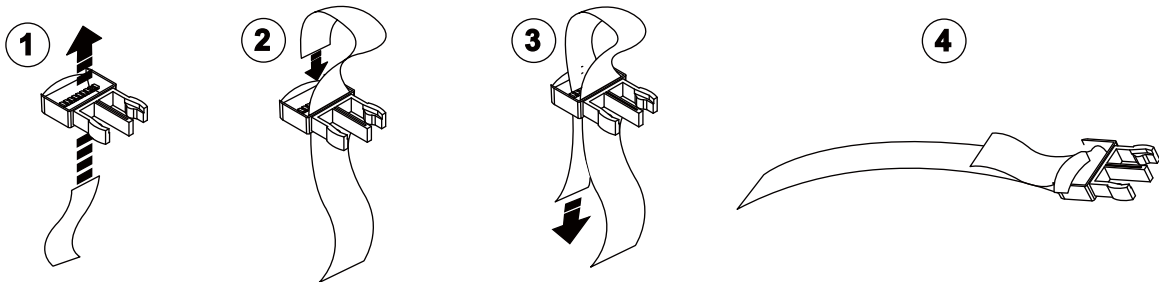


Changer Pad Assembly



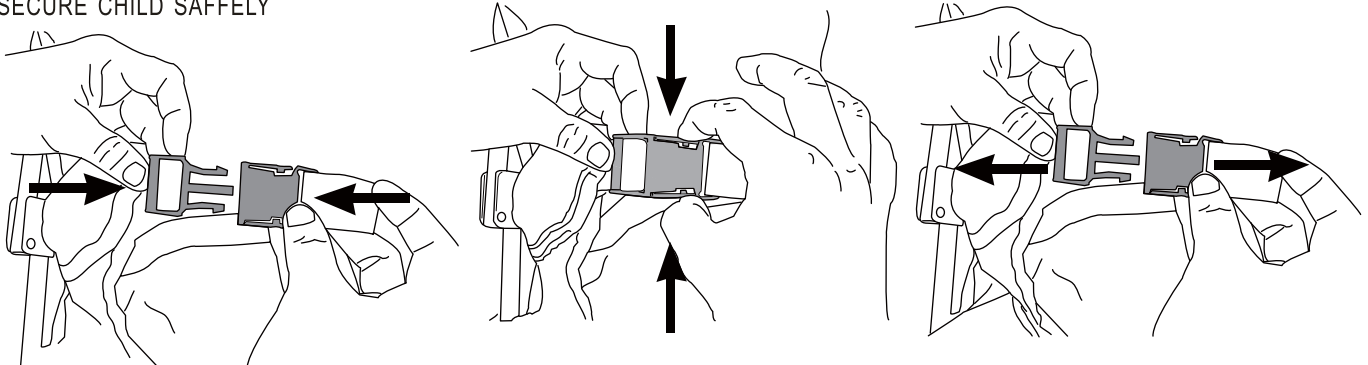
FINALLY CHECK

- PRIOR TO USING THE CRIB, ENSURE ALL BOLTS ARE TIGHTENED. DO NOT OVER TIGHTEN.
- ENSURE THAT THE MATTRESS IS THE RECOMMENDED SIZE.
- ENSURE THE MATTRESS BASE IS LOCATED AT THE CORRECT LEVEL TO SUIT THE CHILD.
- CRIB IS NOW READY TO USE.



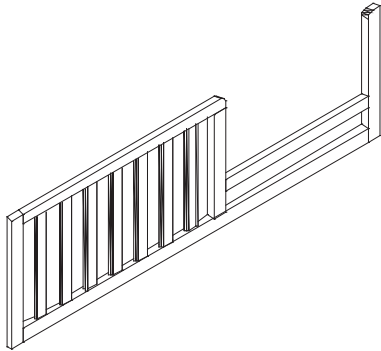
TO FASTEN STRAP-PUSH BUCKLE SIDE TOGETHER-
ENSURE BUCKLE IS FULLY FASTENED TO
SECURE CHILD SAFELY

TO RELEASE PRESS BOTH TABS AND PULL APART

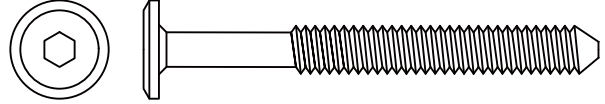


Toddler Rail Assembly

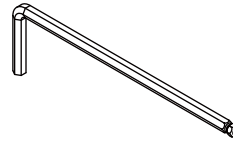
Parts and Hardware



(H) 132 Toddler Rail (1 pcs)



(b) M6 x 50mm Allen bolt (4 pcs)



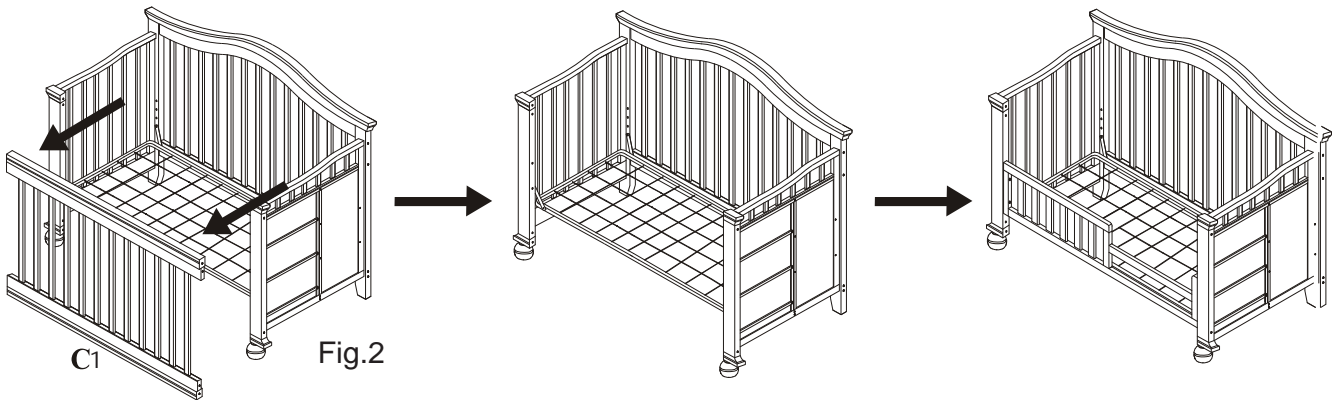
(m) Allen Key (1 pcs)

WARNING: PLEASE DO NOT TIGHTEN THE BOLTS IN ASSEMBLY PROCESS!

1. Before Toddler Rail assembly, please Remove Footboard(C) and Four (4) Bolts as per below (Fig.2)

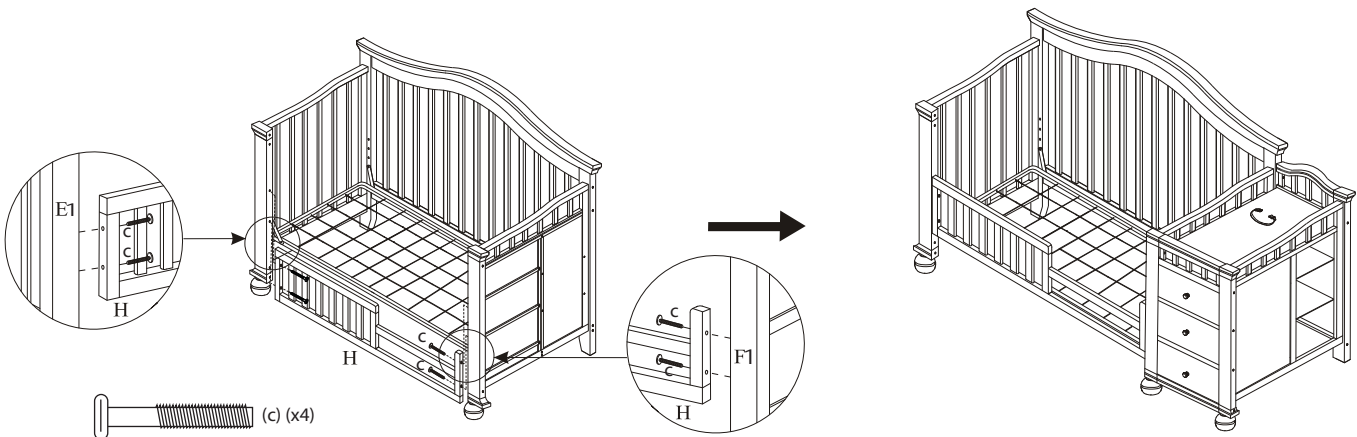
MATTRESS SUPPORT MUST BE IN THE LOWEST POSITION

2. Store crib footboard and balance hardware together in a safe place.



C1

Fig.2



E1

H

H

(c) (x4)

C

F1

H

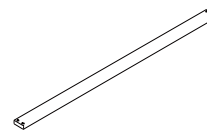
C

Fullsize Bed Conversion (Optional)

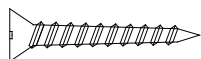
Additional Parts and Hardware (216# Adult Rail System Not included, sold separately)



(A) 216# Bed Rail (2 pcs)



(B) 216# Mattress Support Bar (4 pcs)



(b) Ø4 X 30mm Phillips Screw (16 pcs)



(e) Allen Key (1 pcs)



⊕ Tool required

Follow all instructions supplied with the 216# Adult Rail System. **NOTE:** 216# Adult Rail System is not included. Please see your crib retailer, visit WWW.Sorellefurniture.com or contact C&T International Inc. for more information.

Disassembling Crib for Storage

To disassemble crib for storage, follow assembly steps in reverse.

Store all parts and hardware together in a safe place. Store the instruction manual in the supplied envelope attached to mattress support crossbar for future reference for reassembly.

Cleaning and Storage

To clean, use only mild household soap and warm water. **DO NOT** use bleach or detergent. **DO NOT** use abrasive cleaners which can scratch the finish. Use clean soft cloths to wash, rinse and dry. With proper care, the quality finish will last a long time. Wood surfaces may be treated with a light application of a good grade of non-toxic furniture polish. Read contents on back of polish to make sure polish will not harm unit.

Store all parts from Crib, which are not used for Full Size Headboard, in original carton(s) (if available) to prevent damage and allow reuse.