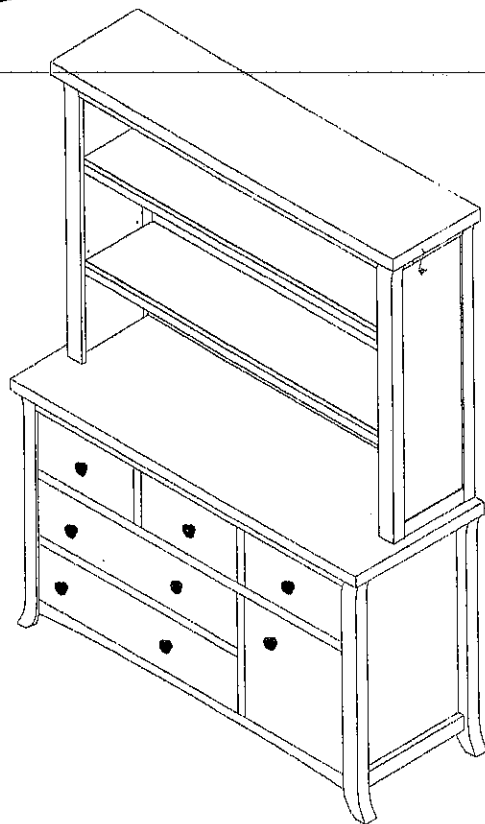




A Division of C & T International Inc.
46 Whelan Road East Rutherford, N. J. 07073 U. S. A.
Tel: +1 (201) 531 1919 Fax: +1 (201) 531 1920

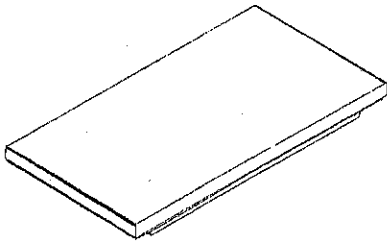


Alex Double Dresser Hutch

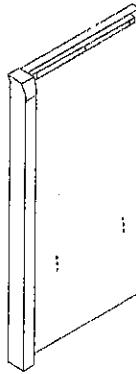
Important Information:

Before assembly, read these instructions. Make sure all preassembled parts are tight. Store this instruction manual for future reference.

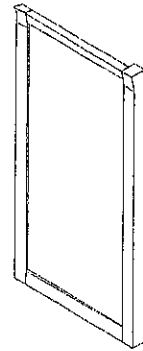
Alex Hutch Assembly Parts



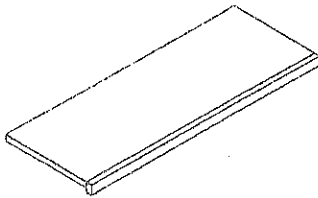
(A) Top panel (1 pc)



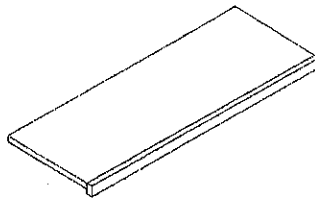
(B) Left side panel (1 pc)



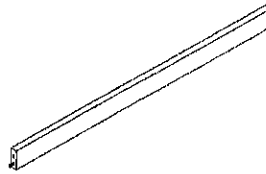
(C) Right side panel (1 pc)



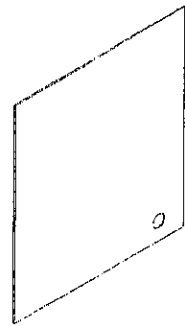
(D) Fixed Shelf (1 pc)



(E) Adjustable Shelf (1 pc)



(F) Back bottom rail (1 pc)



(G) Back panel (1 pc)

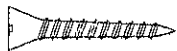
Assembly Hardware Set



(a) Ø6.3MM Shelf Support (4 pcs)



(b) Ø3.5 X 15mm Phillips Screw (4 pcs)



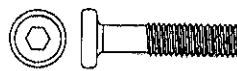
(c) Ø3.5 X 20mm Phillips Screw (36 pcs)



(d) M6*35mm Connecting Rod Bolt (4 pcs)



(e) Ø14*13 Right-handed Nut (4 pcs)



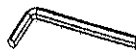
(f) M6 x 30mm Allen Head Bolt (8 pcs)



(g) Washer (8 pcs)



(h) Spring Washer (8 pcs)



(i) Allen Key (1 pc)

Alex Hutch Assembly

1 Top panel and side panel Assembly

Attach left side panel(B) and right side panel(C) to Top panel(A) by using Four (4) Allen head Bolt(f) & Four (4) Washer (g) & Four(4) Spring Washer (h) and two (2) Connecting rod Bolt(d) and two (2) Right- handed Nut. See Figure 1 below.

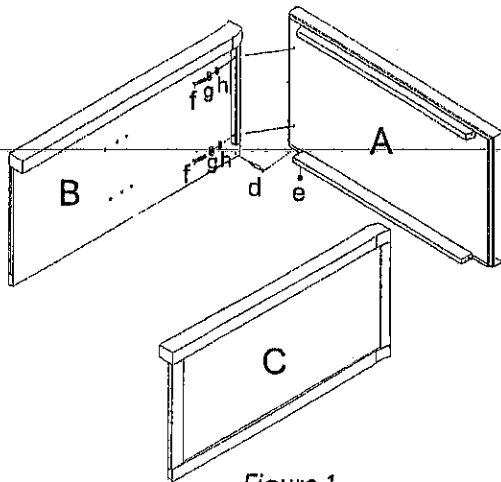


Figure 1.

2 Back Bottom Rail Assembly

Attach Back Bottom Rail(F) by using Two (2) Connecting rod Bolt(d) and Two (2) Right- handed Nut. See Figure 2 below.

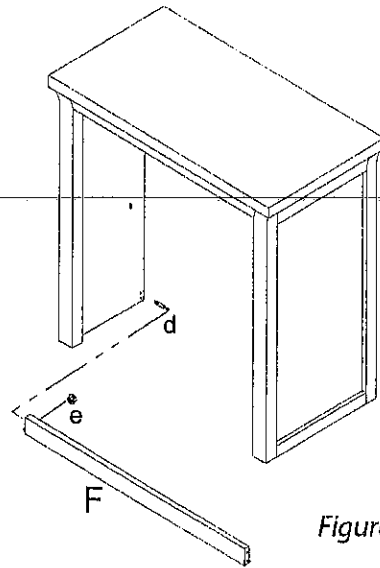
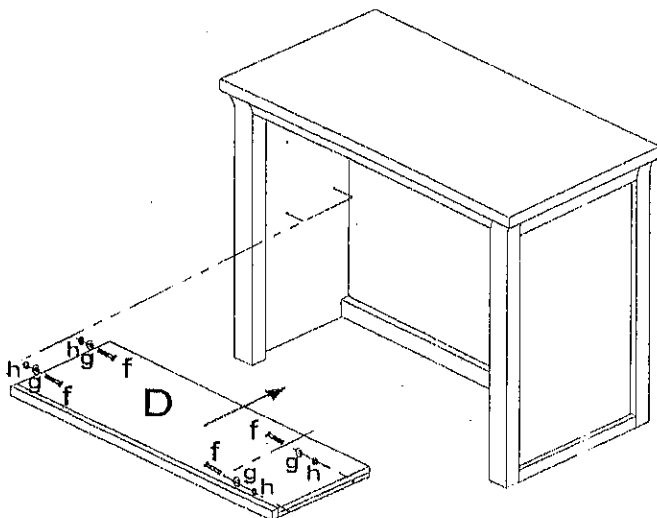


Figure 2.

3 Fixed Shelf Assembly

Attach Fixed Shelf(D) by using Four (4) Allen head Bolt(f)&Four (4) Washer (g) & Four(4) Spring Washer (h). See Figure 3 below.



4 Adjustable Shelf Assembly

Attach Adjustable Shelf (E) by using Four (4) Shelf Support(a) and Four(4) Phillips Screw (b). See Figure 4 below.

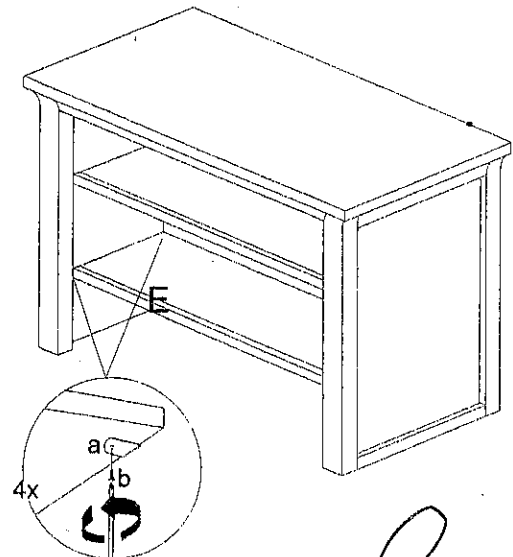
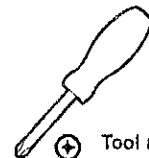


Figure 4.

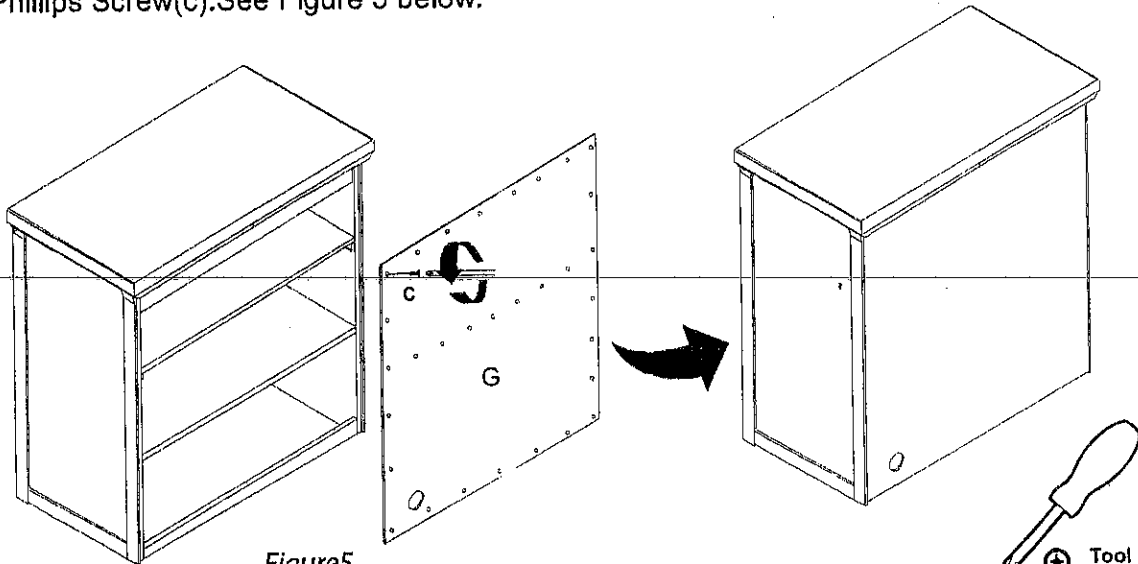


⊕ Tool required

Alex Hutch Assembly

5 Back Panel Assembly

Attach Back Panel(G) by using 36 pcs Phillips Screw(c). See Figure 5 below.



Alex Combo & Hutch Assembly

