

ASSEMBLY INSTRUCTIONS



By Sorelle - A Division of C&T International, Inc.
46 Whelan Road, East Rutherford, NJ 07073 U.S.A.
Tel, 201/531 1919 Fax, 201/531 1920

4 Drawer Chest

Adult assembly required.

Small parts may present a choking hazard prior to assembly.

Enclosed please find simple step-by-step instructions to help you quickly assemble your product. Before you begin we recommend that you follow the steps below:

1. Please read the instructions thoroughly
2. Identify all parts and hardware
3. You may need to provide the following tools:
Phillips Head screw driver
Flat head screw driver
Hammer

⚠ Do Not Use Power Drills or Drivers

To protect your parts during assembly please place them on a soft surface. To clean surface use only water on a damp cloth. Do not use window cleaners or cleaning abrasives as it will scratch the surface and could damage the protective coating.

PARTS LIST

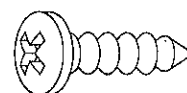
REF.	PART NAME	QUANTITY
A.	Top Panel	1
B.	Left Side Panel	1
C.	Right Side Panel	1
D.	Front Bar	4
E.	Front-down Bar	1
F.	Back-middle Bar	1
G.	Back-down Bar	1
H.	Back Panel	2
I.	Drawer Front Panel	4
J.	Drawer Left Panel	4
K.	Drawer Right Panel	4
L.	Drawer Back Panel	4
M.	Drawer Bottom	4
N.	Drawer Bottom Rail	4
O.	Knob	8
P.	1 1/4" Wood Screw	14
Q.	7/8" Wood Screw	46
R.	1/2" Wood Screw	20
S.	1" Bolt	8
T.	1 3/16" Wood Dowel	64

HARDWARE AND TOOL DIAGRAM

(P) 1 1/4" Wood Screw



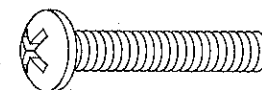
(Q) 7/8" Wood Screw



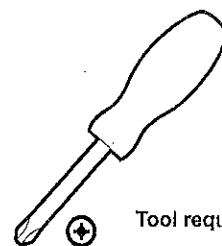
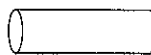
(R) 1/2" Wood Screw



(S) 1" Bolt

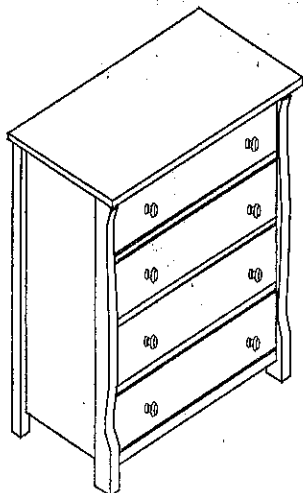


(T) 1 3/16" Wood Dowel



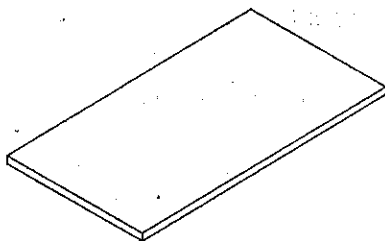
(+) Tool required

Model shown is example only
Styles may vary.

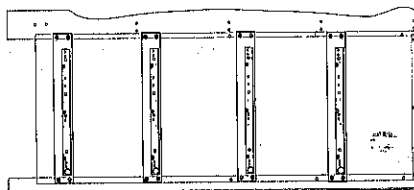


PARTS ENCLOSED IN CARTON

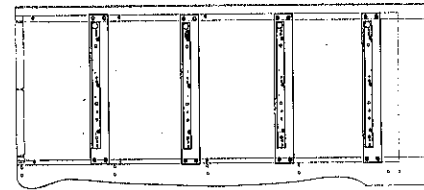
A 1 Top Panel



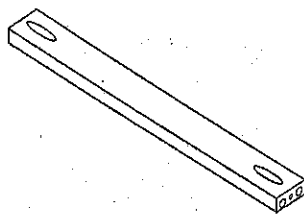
B 1 Left Side Panel



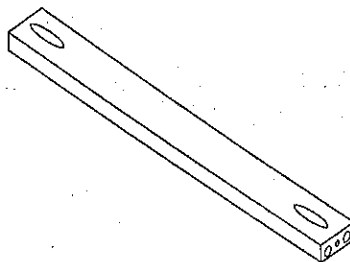
C 1 Right Side Panel



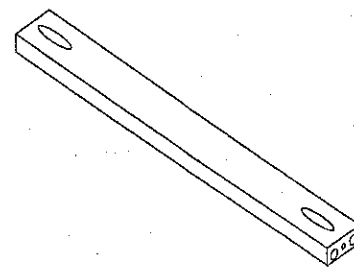
D 4 Front Bar



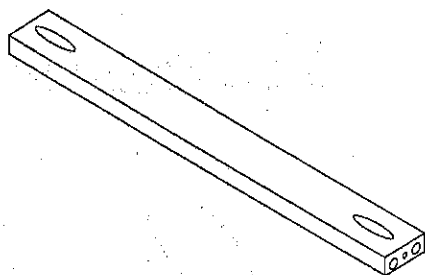
E 1 Front-down Bar



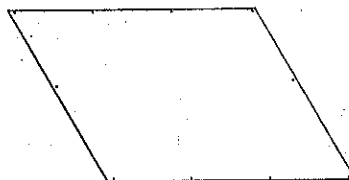
F 1 Back-middle Bar



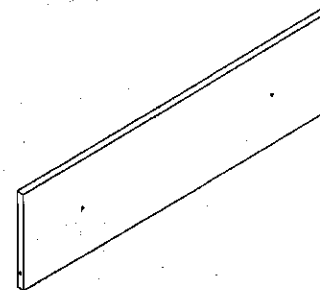
G 1 Back-down Bar



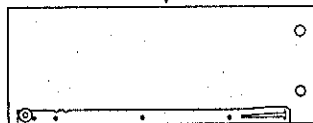
H 2 Back Panel



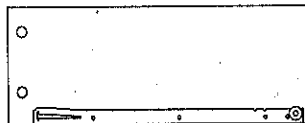
I 4 Drawer Front Panels



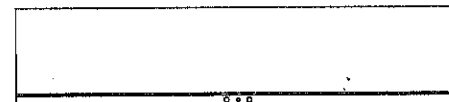
J 4 Drawer Left Panels



K 4 Drawer Right Panels



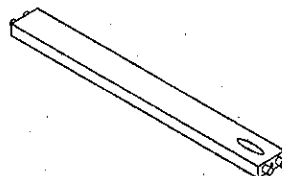
L 4 Drawer Back Panels



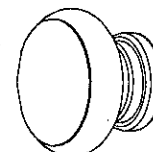
M 4 Drawer Bottoms



N 4 Drawer Bottom Rails



O 8 Knobs



Furniture Care Instructions

Room Climate Control

Wood, when first cut contains more than 50 percent water. When it is prepared for furniture construction it is placed in a Kiln and the moisture content is brought down to 8 to 10 percent. Wood is porous and responds to its environment. If the room has high humidity it will absorb it and expand and if the humidity is low it will lose moisture and shrink.

It is important that the humidity levels in the room be controlled from extremes of too much humidity or too little. Furniture should not be placed close to air-conditioning outlets, fire places, radiators, space heaters, humidifiers or dehumidifiers. Exposure to extreme variations of temperature and humidity can damage any fine wood product.

The Ideal Environment for Fine Furniture

Fine wood furniture will have fewer problems when its environment is controlled at a temperature between 65 and 75 degrees and a relative humidity between 35 and 40 percent. Wood placed in an environment outside of those limits can and will shrink or expand and may develop some small cracks which are not material or structural defects.

Sticking Doors and Drawers

With the minor changes in temperature and humidity doors and drawers may swell and be difficult to open or close. Tolerances have been built into the units but extreme conditions may still cause sticking. This will adjust back to normal over time but until it does consider using a dehumidifier or rub candle wax or paraffin on the sides that stick.

Avoid Direct Sunlight

Keep the furniture out of direct sunlight. Ultraviolet rays will fade colors and in some cases darken them. It can also cause crazing or hair line cracks in the finish. White finishes will yellow naturally over time and exposure to direct sunlight will hasten this natural process along with some woods darkening naturally over time; this is not considered to be a quality defect.

Proper Storage

If you need to put your furniture in storage for any period of time do not store them in a damp basement or hot dry attic. Allow air movement around the furniture and do not stack anything on it.

In General

- Protect furniture surface from hot or extremely cold items.
- Use coasters under hot or cold beverages
- Do not use synthetic fabric under accessories or lamps
- Protect tops from pens, markers and crayons
- Oils from potpourri and other scented items can damage the furniture finish.
- Do not drag items across the surface of the furniture.
- Allow the surface to breath by rotating your accessories and lamps.
- Do not over polish the furniture, do it only two or three times a year. Over polishing can distort the natural finish of the product.
- Do not wax the furniture as wax build up can destroy the natural finish of the product.
- When moving furniture always lift the unit. Do not push or drag it to avoid damage to legs
- Keep the furniture level so doors and drawers open and close freely.
- Clean with a damp, not wet, cloth. Use only a mild soap. Do not use abrasive cleaners.

4 Drawer Chest Assembly

Step 1

Use 14pcs 1 1/4" Wood Screw (P) & 28pcs Wood Dowel(T) to attach the Front Bar(D), the Front-down Bar(E), the Back-middle Bar(F) & the Back-down Bar(G) to the Left(B) & Right(C) Side Panels. As shown in **Figure 1**.

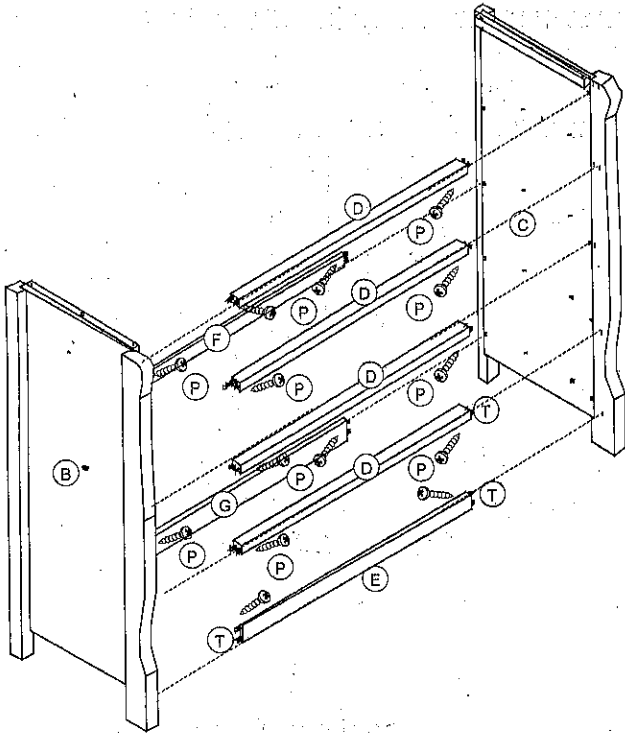


Figure 1

Mode shown is example only
Styles may vary

Step 2

Use 6pcs 7/8" Wood Screw (Q) & 4pcs Wood Dowel(T) to attach the Top Panel(A) As shown in **Figure 2**.

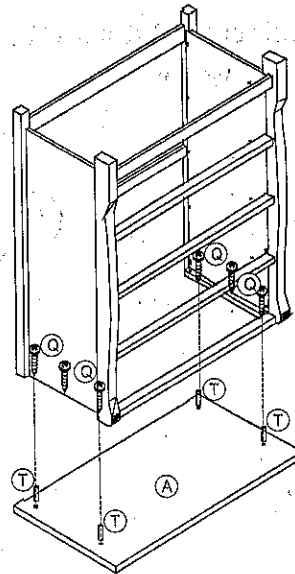


Figure 2

Mode shown is example only
Styles may vary

Step 3

Attach the Back Panel(H) with 20pcs 1/2" wood screw(R), As shown in **Figure 3&3A**

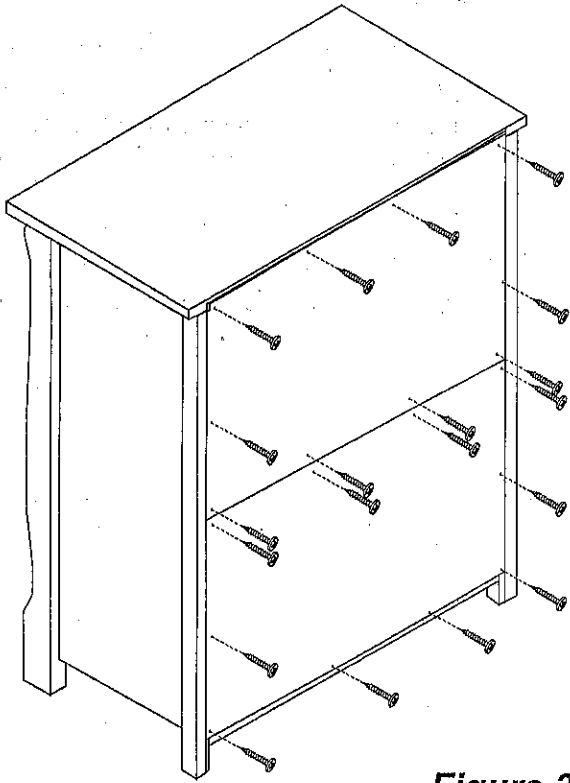


Figure 3

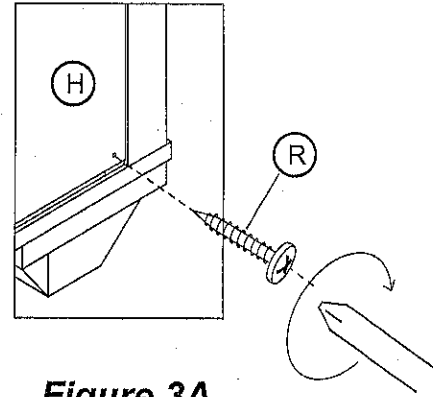


Figure 3A

Model shown is example only.
Styles may vary.

Step 4

Working on a padded flat surface, attach Drawer Sides Panel (J & K) to Drawer Back Panel(L) with 4pcs Wood screw(Q) & 4pcs Wood Dowel(T), As shown in **Figure 4**

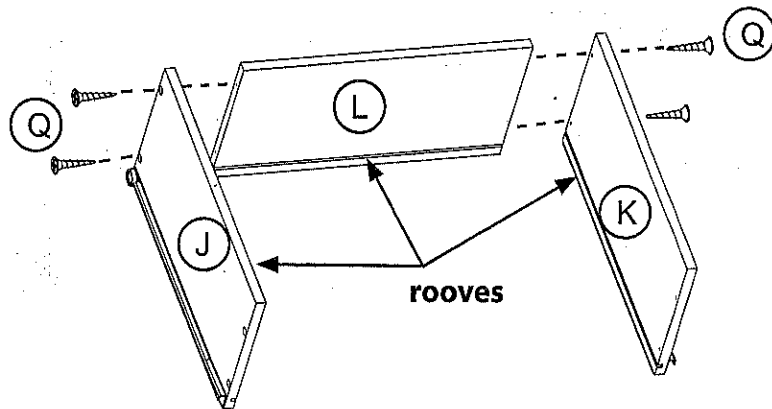


Figure 4

Model shown is example only.
Styles may vary.

Step 5

Insert the Drawer Bottom (M) into the Drawer Left (J) & Right (K) Side Panels & Drawer Back Panel (L).

Insert the Drawer Bottom Rail (N) With 4pcs Wood Dowels(T) and 4pcs Wood Screws(Q) into the Drawer Back Panel (L). As shown in **Figure 5**.

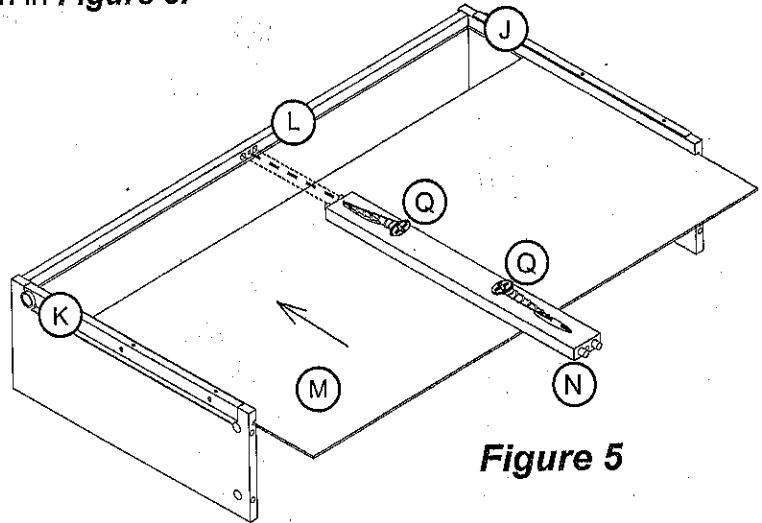


Figure 5

Model shown is example only.
Styles may vary.

Step 6

Secure both sides of Drawer Front (I) to drawer assembly with 4pcs wood screw(Q).

As shown in **Figure 6**

Check all screws for tightness.

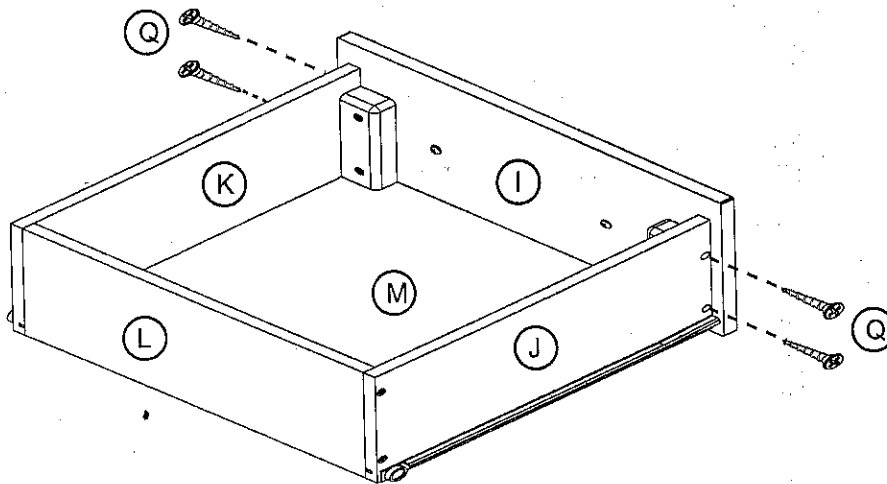


Figure 6

Model shown is example only.
Styles may vary.

Step 7

Insert 2pcs 1" Bolt(S) through the Drawer, Front Panel (I) to attach the Knob (O).
As shown in **Figure 7**

Repeat steps 4 through 6 to assemble all 4 drawers.

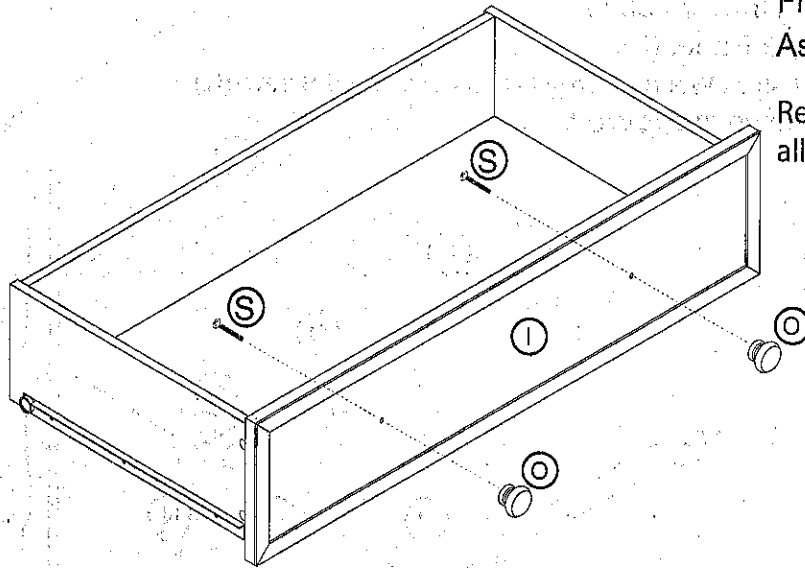


Figure 7

Model shown is example only.
Styles may vary.

Step 8

Insert the drawers as shown in **Figure 8**

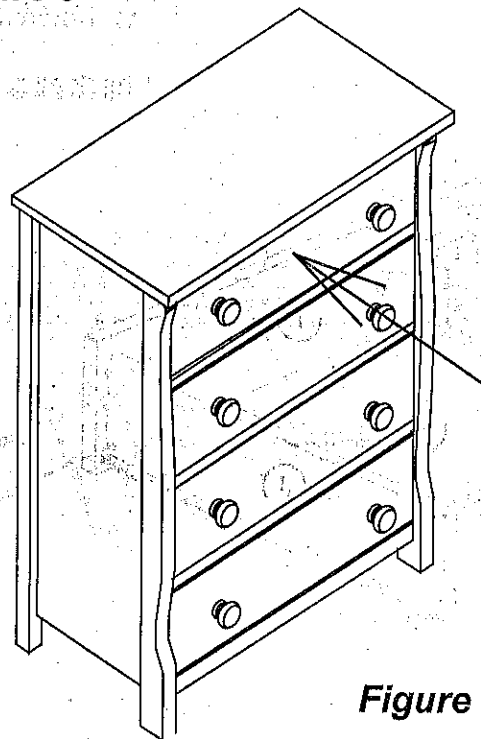


Figure 8