



By Sorelle - A Division of C&T International, Inc.
46 Whelan Road, East Rutherford, NJ 07073 U.S.A.
Tel, 201/531 1919 Fax, 201/531 1920

READ ALL INSTRUCTIONS BEFORE ASSEMBLING AND USE OF ADULT BED RAIL

FOR FUTURE USE AND REFERENCE RETAIN THESE INSTRUCTION SHEETS AND BED ASSEMBLY TOOLS IN THE ORIGINAL SACK AND SECURE THEM TO A SAFE PLACE

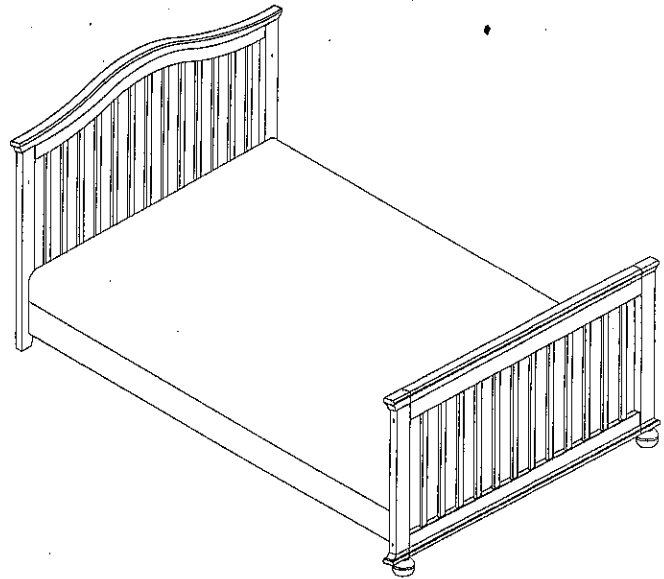
MODEL 216 ADULT RAIL ASSEMBLY INSTRUCTIONS

Thank you for selecting a C&T product. To ensure the best performance from your bed, please read these instructions carefully.
Carefully remove and lay out all parts. Familiarize yourself with all diagrams. Hardware enclosed in the sack should correspond with hardware list. Be sure all are included and quantities are correct.

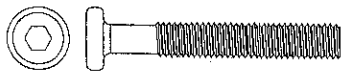
1 Unassemble your crib, model 1090 Cape Cod CNC, and get the components, Back Side Rail(D1) and Front Side Rail (C1), and Left Coner Post(E1), then follow up below assembly steps

Assembly Parts

- (A2) Bed Right Rail 1pc
- (B2) Bed Left Rail 1pc
- (C1) 1090 Front Side rail 1pc
- (C2) Support Bar 4pc
- (D1) 1090 Back Side rail 1pc
- (D2) Additional Right post 1pc
(For Adult Bed)
- (E1) 1090 Left Coner Post 1pc
- (E2) Additional Right post 1pc
(For Changer)



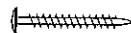
Assembly Hardware Set



(a) 6x90mm Allen Head Bolts (4 pcs)



(b) 8x30mm Wood Dowels (4 pcs)

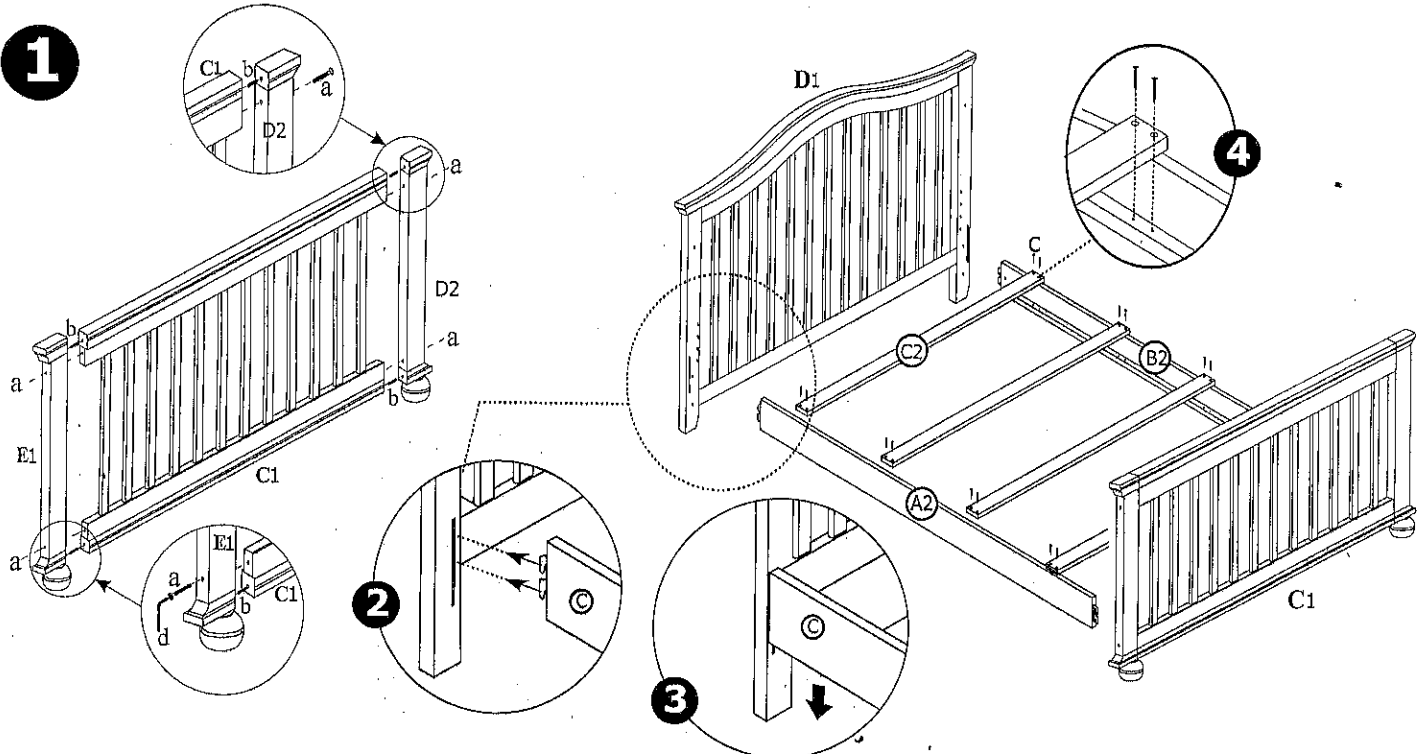


(c) Wood Screw (16 pc)



(d) Allen Key (1 pc)

Fullsize Bed Assembly



Important: In order to properly assemble the bed, carry out the operations in order specified. Failure to assemble the bed in the manner recommended could