



By Sorelle - A Division of C&T International, Inc.
46 Whelan Road, East Rutherford, NJ 07073 U.S.A.
Tel, 201/531 1919 Fax, 201/531 1920

READ ALL INSTRUCTIONS BEFORE ASSEMBLING

FOR FUTURE USE AND REFERENCE RETAIN THESE INSTRUCTION SHEETS AND
BED ASSEMBLY TOOLS IN THE ORIGINAL SACK AND SECURE THEM TO A SAFEY
PLACE

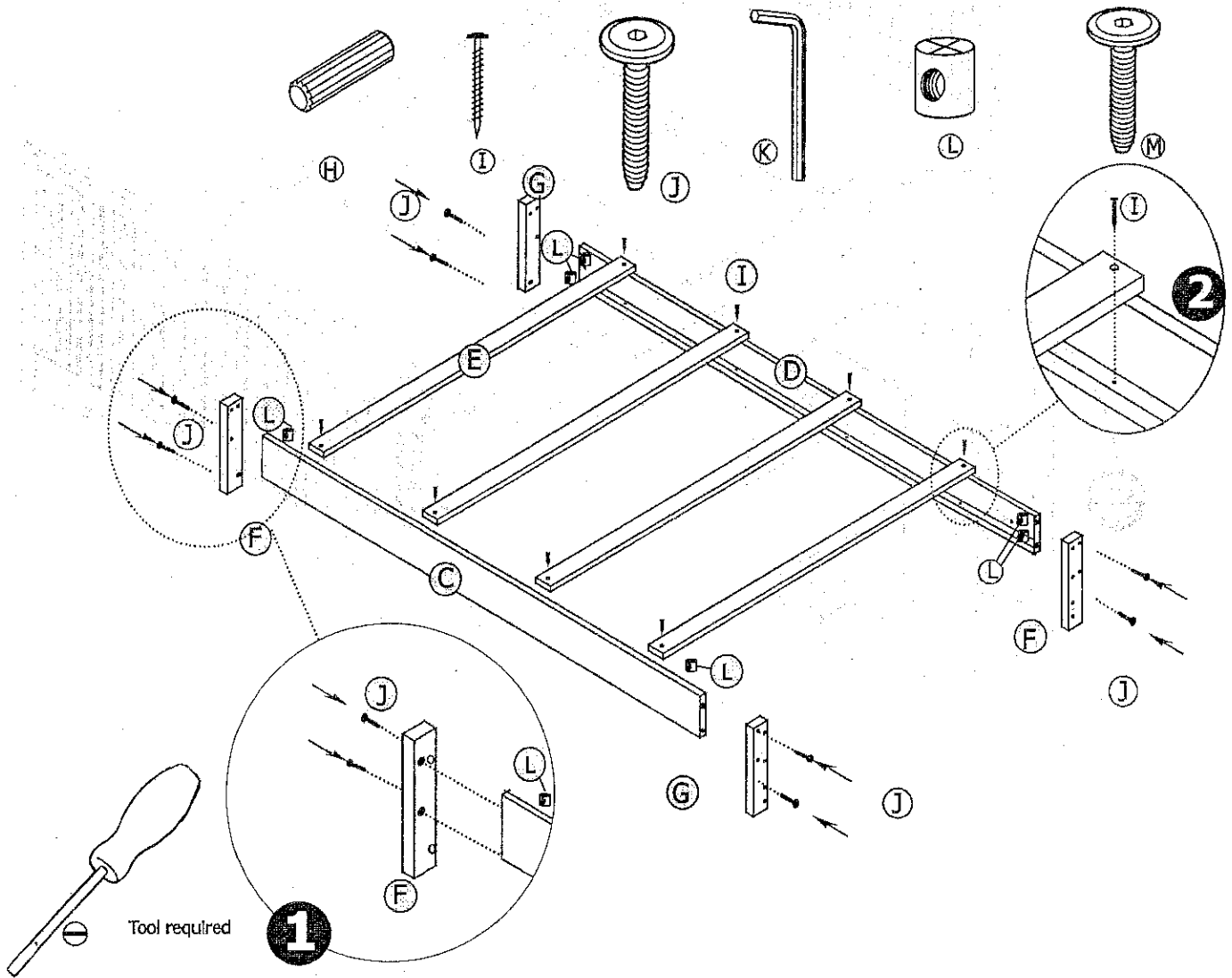
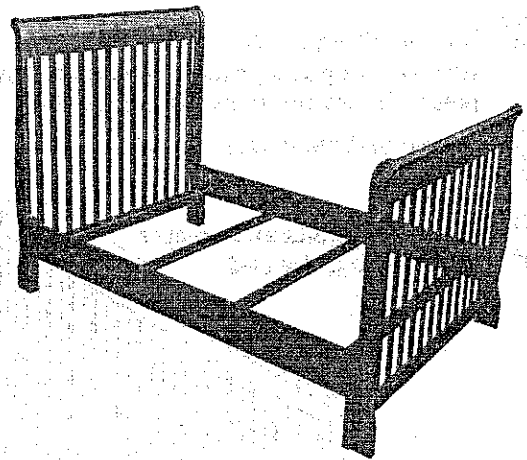
MODEL 217 BED RAILS ASSEMBLY INSTRUCTIONS

Thank you for selecting a C&T product. To ensure the best performance from your bed, please read these instructions carefully. Carefully remove and lay out all parts. Familiarize yourself with all diagrams. Hardware enclosed in the sack should correspond with hardware list. Be sure all are included and quantities are correct.

Assembly Instructions

Parts List

No	Qty	Description
C	1	Bed Rail
D	1	Bed Rail
E	4	Rail
F	2	Adaptor
G	2	Adaptor
H	8	Dowel
I	8	Screw
J	8	Bolt
K	1	Allen Key
L	8	Barrel Nut
M	8	Bolt



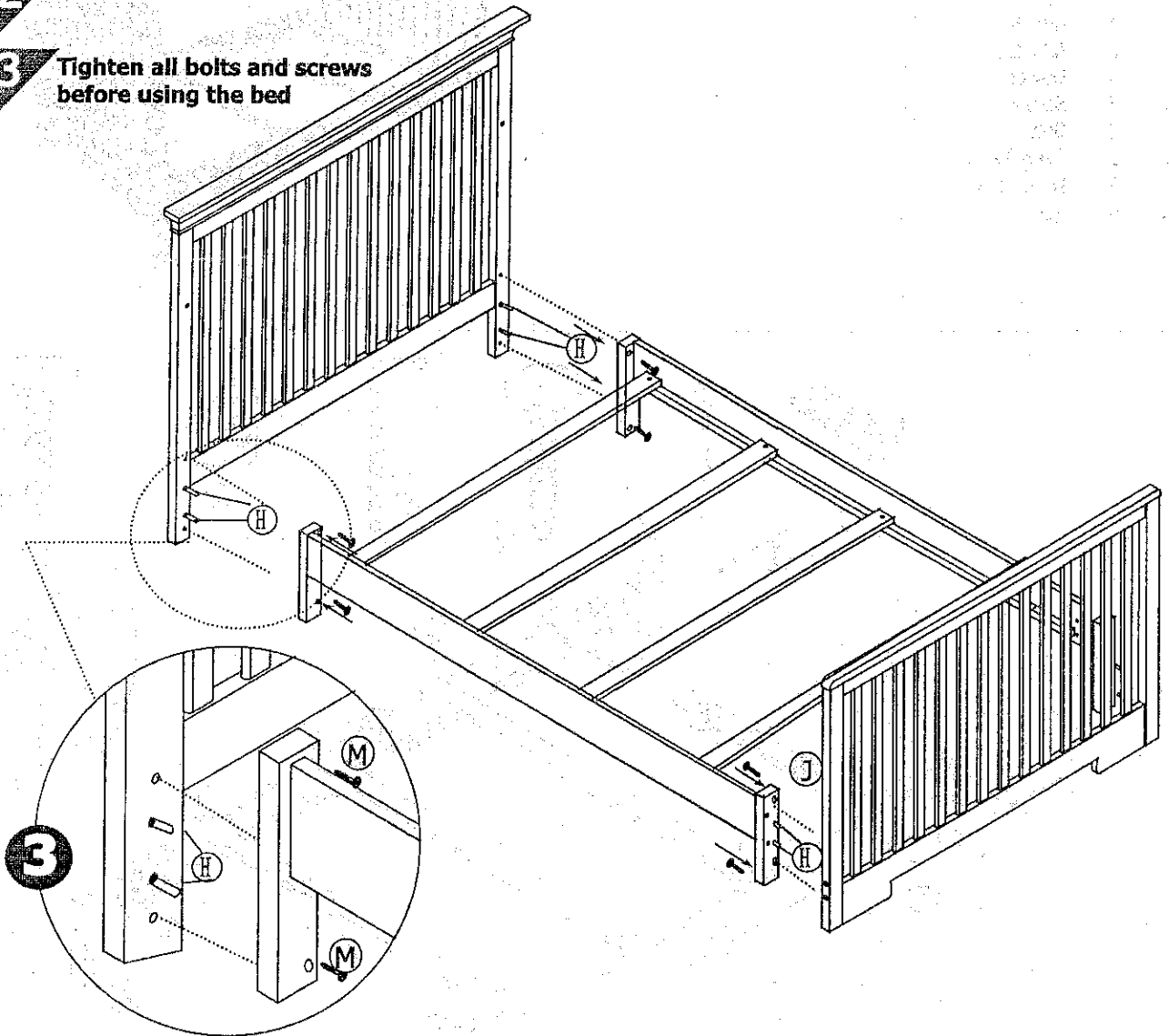
Important: In order to properly assemble the bed, carry out the operations in order specified. Failure to assemble the bed in the manner recommended could make the bed hazardous.

Bed Assembly

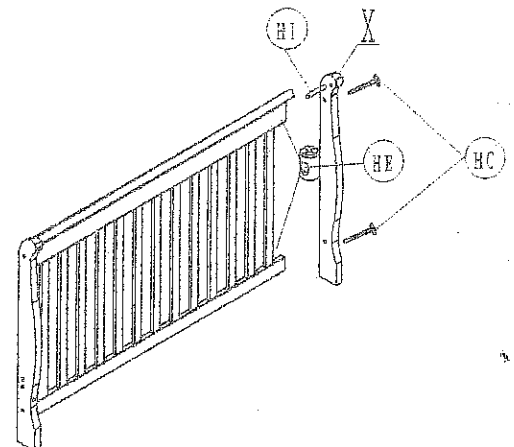
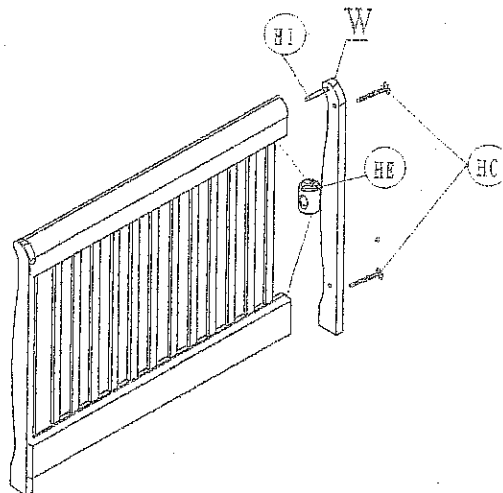
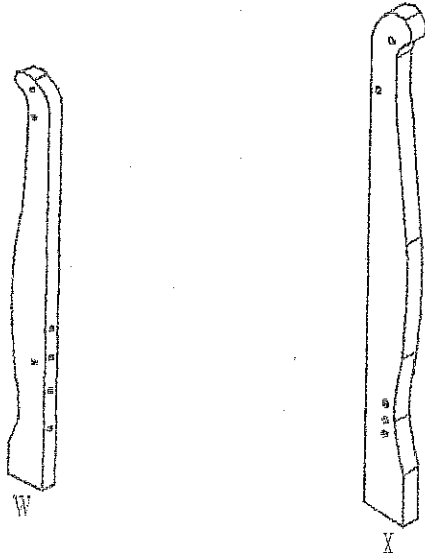
1 Unassemble your crib, 595-M get the components, back frame(Head board) and front frame(Foot board) with corner posts , then follow up below 2 steps. If you buy other cribs need not adaptors please follow up below assembly steps but not use ADAPTORS (F & G).

2 Follow up below assembly steps

3 Tighten all bolts and screws before using the bed



CONVERTING TO A FULL SIZE HEADBOARD



1. Remove the Drawers and Mattress support from Changer and Crib.
2. Remove Changer from the Crib.
3. Remove Left Side Rail from Rear changer leg and Front changer leg .
4. Then add Rear Dresser leg(W) and Front Foot Board leg(X) to Headboard and Footboard using Bolts(HC) and Barrel Nuts(HE).