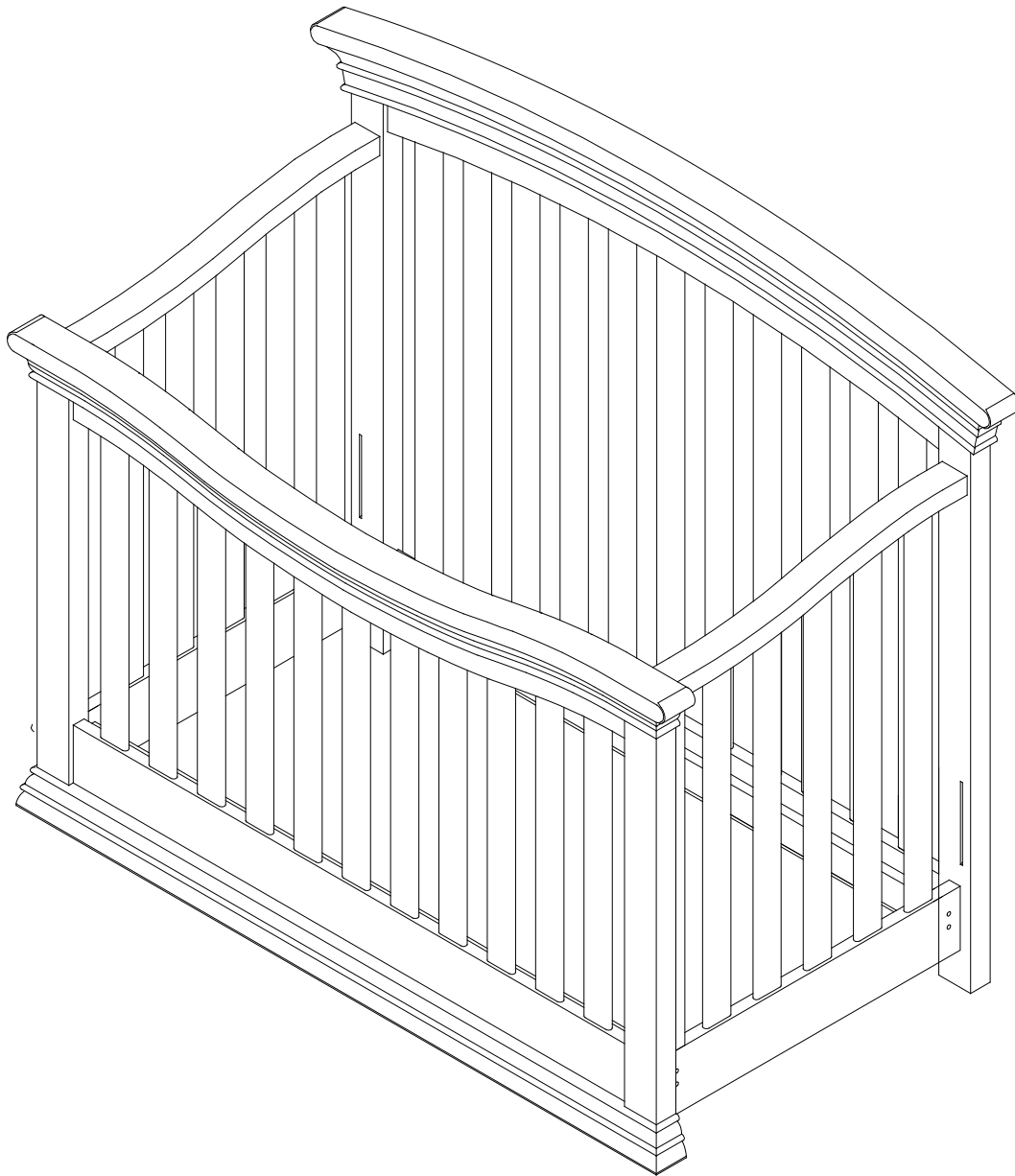




By Sorelle - A Division of C&T International, Inc.
46 Whelan Road, East Rutherford, N. J. 07073 U. S. A.
Tel, +1(201)531 1919 Fax, +1(201)531 1920

Torino Crib Assembly Instruction



Important Information:

Read all instructions **BEFORE** assembling crib.
KEEP INSTRUCTIONS FOR FUTURE USE.

CRIB WARNINGS

! WARNING - Failure to follow these warnings and assembly instructions could result in serious injury or death.

- Read all instructions before assembling crib. **KEEP INSTRUCTIONS FOR FUTURE USE. DO NOT USE THIS CRIB IF THE INSTRUCTIONS CANNOT BE STRICTLY FOLLOWED.**

! WARNING- Infants can suffocate on soft bedding. Never add a pillow or comforter. Never place additional padding under an infant.

! WARNING- Infants can suffocate in gaps between crib sides and a mattress that is too small.

! WARNING: Follow warnings on all products in a crib

- To reduce the risk of SIDS, pediatricians recommend healthy infants be placed on their backs to sleep, unless otherwise advised by your physician.
- Before each usage or assembly, inspect crib for damaged hardware, loose joints, missing parts or sharp edges. **DO NOT** use crib if any parts are missing or broken. Ask your dealer or write to C&T International/Sorelle for replacement parts and instructional literature if needed. **DO NOT** substitute parts.
- **DO NOT** use a water mattress with this crib.
- **NEVER** use plastic shipping bags or other plastic film as mattress covers because they can cause suffocation.
- If refinishing, use a non-toxic finish specified for children's products.
- The product including side rails must be erected prior to use.

! ENTRAPMENT/STRANGULATION HAZARD

- Infants have died in crib from entrapment and strangulation .
- To help prevent strangulation tighten all fasteners .
- A child can trap parts of the body or clothing on loose fasteners .
- Strings can cause strangulation! **DO NOT** place items with a string around a child's neck, such as hood strings or pacifier cords. **DO NOT** suspend strings over a crib or attach strings to toys.
- **DO NOT** place crib near window where cords from blinds or drapes may strangle a child. Child may fall out of window. **DO NOT** place cords, straps or similar items that could become wound around the child's neck in or near the crib.

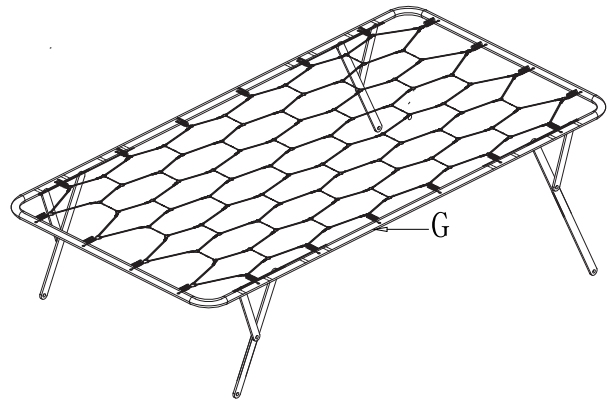
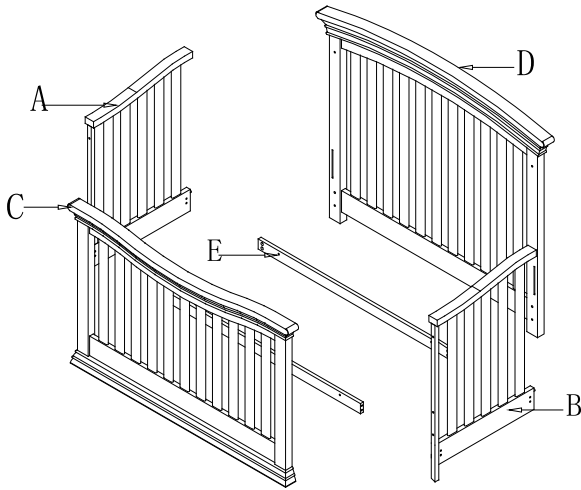
! FALL HAZARD

- When child is able to pull to a standing position set matter to lowest position and remove bumper pads, large toys and other objects that could serve as steps for climbing out.
- When child is able to climb out or reaches the height of 35 in. (90 cm), the crib shall no longer be used and can be converted to the transitional bed.

CAUTION : ANY MATTRESS USED IN THIS CRIB MUST BE AT LEAST 27 1/4" (69CM) x 51 5/8" (131 CM) WITH A THICKNESS NOT EXCEEDING 6" (15CM).

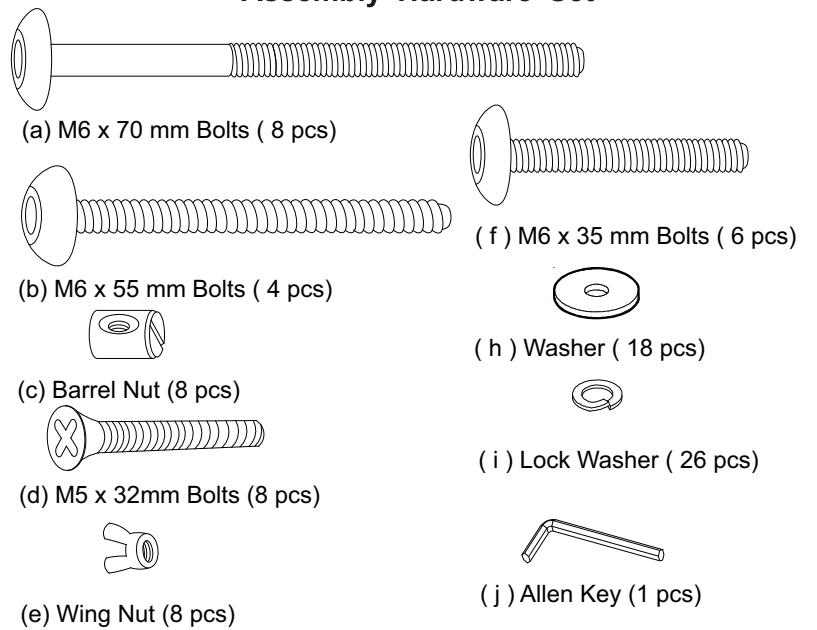
- Ensure a safe environment for your child by checking regularly, (that every component is properly and securely in place) before placing your child in the crib. Make sure that all bolts and fasteners are tight.

Crib Assembly Parts



- (A) Left End (1 pcs)
- (B) Right End (1 pcs)
- (C) Foot Board (1 pcs)
- (D) Head Board (1 pcs)
- (E) Mattress Support Bar (2 pcs)
- (G) Mattress Support (1 pcs)

Assembly Hardware Set



Crib Assembly

1 Step 1

Use 8 pcs Bolt (a) with 8 pcs Washers(h)&Lock Washers(i) and Barrel Nuts (c) attach Mattress Support Bar (E) to Side Panel (A&B).As shown in Figure 1.



Model shown is example only.
Style may vary.

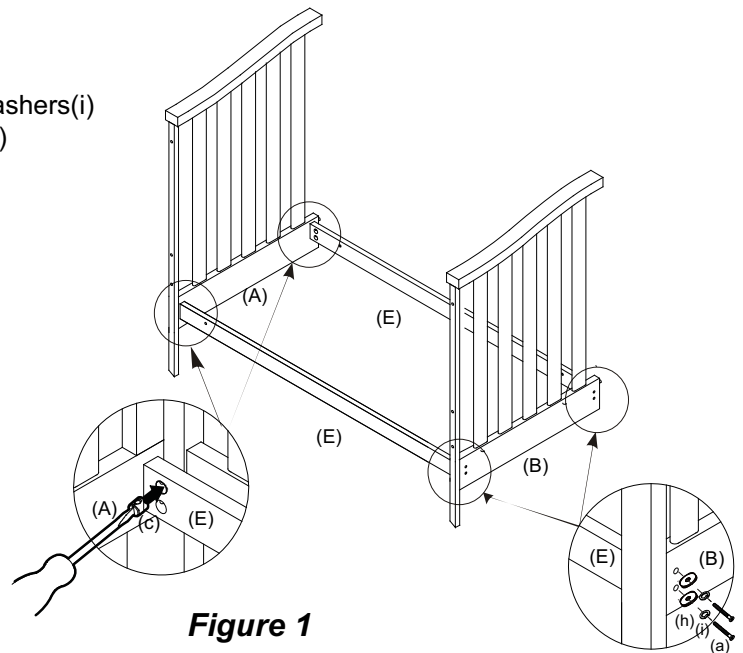
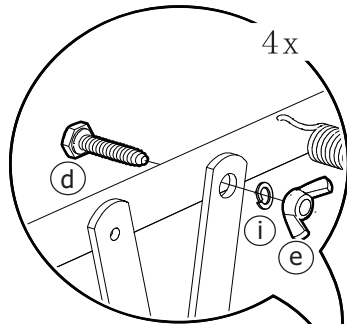


Figure 1

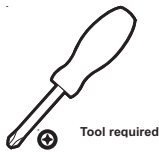
Crib Assembly

2 Step 2

This crib has a high position setup on mattress support (G) for use during your baby's first months. As soon as your baby starts to sit up or pull up, you must use the lowest mattress level.



- 1 Lower level
- 2 Center level
- 3 Higher level



Tool required

Model shown is example only.
Style may vary.

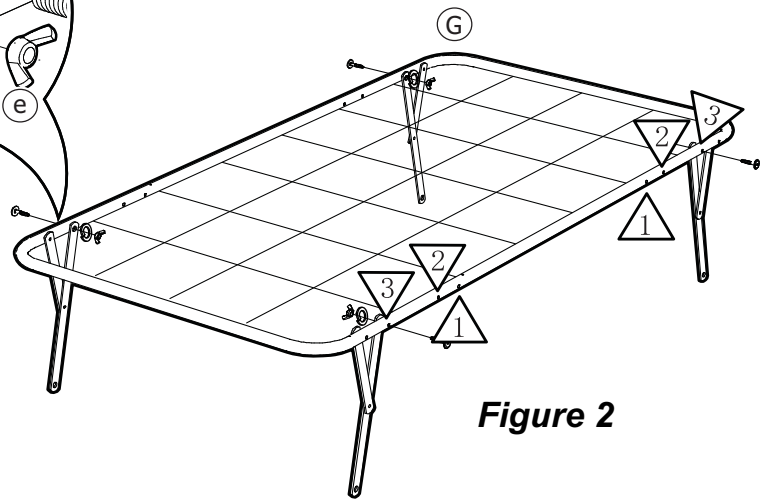


Figure 2

This illustration show the higher level.

3 Step 3

Use 4 pcs Bolt (d) & 4 pcs Wing Nut (e) & 4pcs Lock Washers (i) attach Mattress Support (G) to Mattress Support Bar(E). As shown in Figure 3.



Tool required

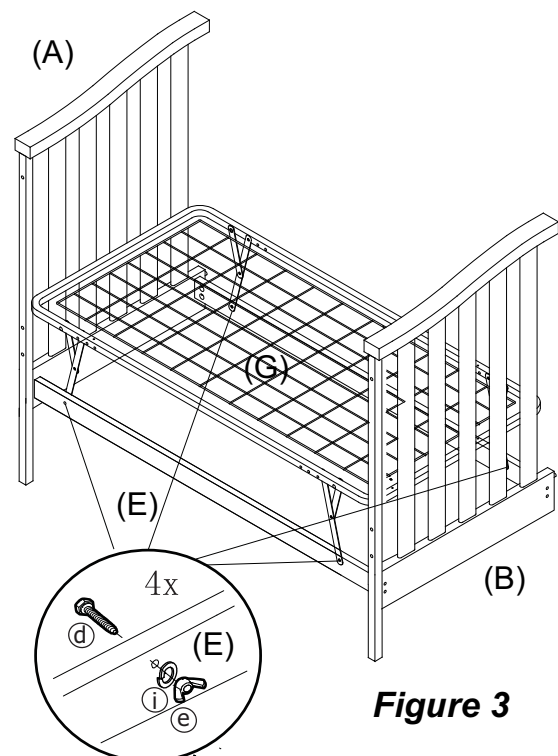


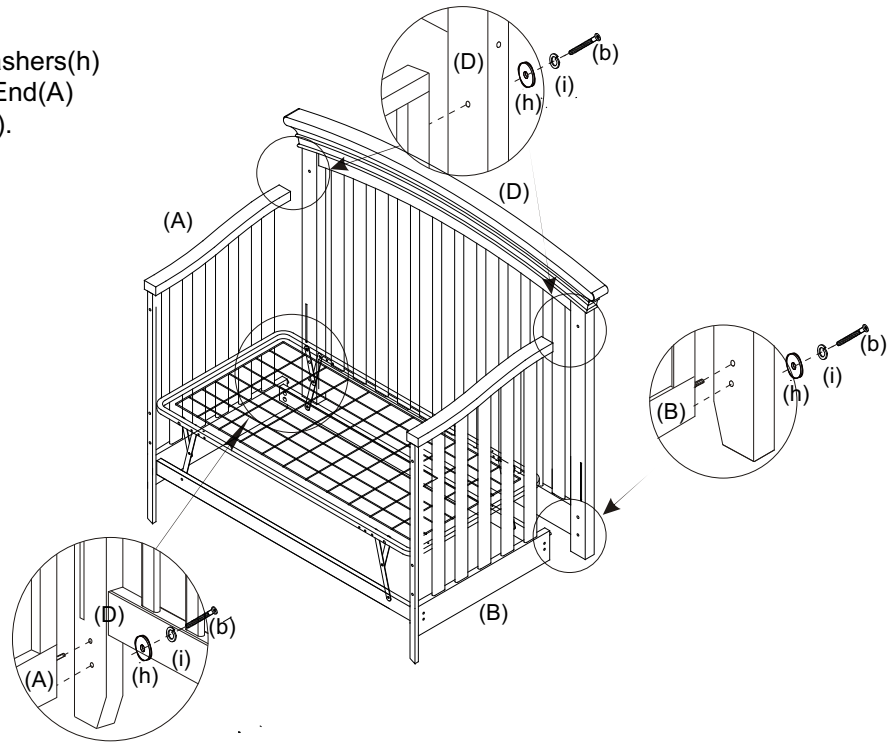
Figure 3

Model shown is example only.
Style may vary.

Crib Assembly

4 Step 4

Use 4 pcs Bolts (b) with 4 pcs Washers(h) & Lock Washers (i) to attach Left End(A) & Right End(B) to Head Board(D).
As shown in Figure 4.

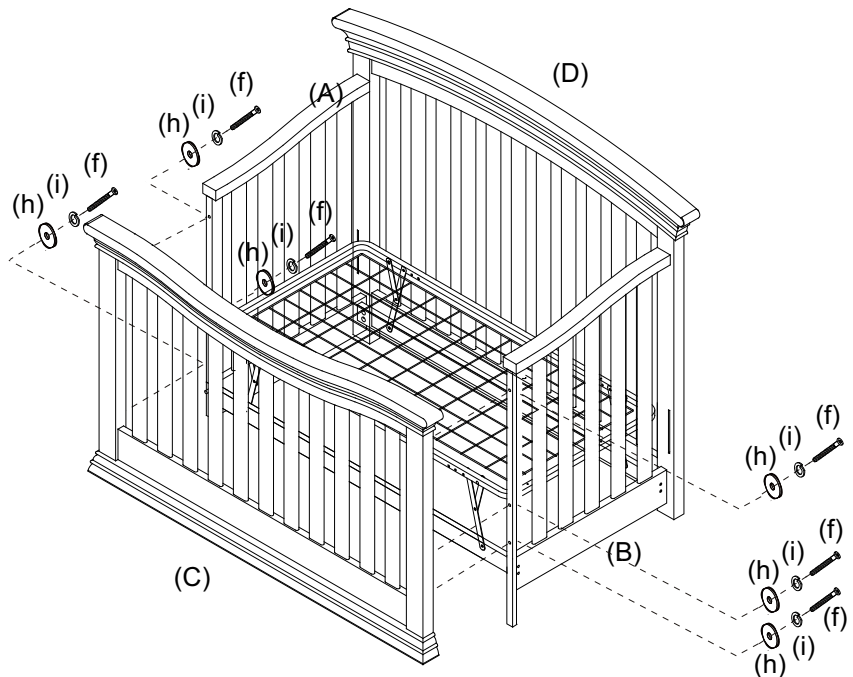


Model shown is example only.
Style may vary.

Figure 4

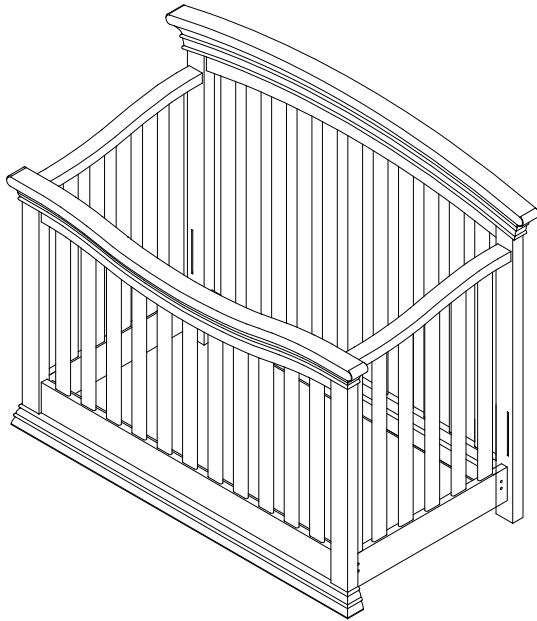
5 Step 5

Use 6 pcs Bolt (f) & 6 pcs Washers(h) & 6 pcs Lock Washers(i) attach Foot Board(C) to Left End (A) & the Right End (B).
As shown in Figure 5.



Model shown is example only.
Style may vary.

Figure 5



Model shown is example only.
Style may vary.

FINALLY CHECK

- PRIOR TO USING THE CRIB, ENSURE ALL BOLTS ARE TIGHTENED. DO NOT OVER TIGHTEN.
- ENSURE THAT THE MATTRESS IS THE RECOMMENDED SIZE.
- ENSURE THE MATTRESS BASE IS LOCATED AT THE CORRECT LEVEL TO SUIT THE CHILD.
- CRIB IS NOW READY FOR USE.

TODDLER BED and FULL SIZE BED ASSEMBLY (Option Purchase)

Note: The Toddler rail (#136) and Adult rail (#215) are sold separately to convert the crib to a Toddler bed and a full size bed for your choose.

Contact the store where you purchased the crib or visit www.sorellefurniture.com to locate a dealer near you.

Disassembling Crib for Storage

To disassemble crib for storage, follow assembly steps in reverse.

Store all parts and hardware together in a safe place. Store the instruction manual in the supplied envelope attached to mattress support base for future reference for reassembly.

Cleaning and Storage

To clean, use only mild household soap and warm water. **DO NOT** use bleach or detergent. **DO NOT** use abrasive cleaners which can scratch the finish. Use clean soft cloths to wash, rinse and dry. With proper care, the quality finish will last a long time. Wood surfaces may be treated with a light application of a good grade of non-toxic furniture polish. Read contents on back of polish to make sure polish will not harm unit.

Store all parts from Crib, which are not used for Full Size Headboard, in original carton(s) (if available) to prevent damage and allow reuse.