



By Sorelle - A Division of C & T International, Inc.

46 Whelan Road, East Rutherford, N.J.07073 U.S.A.

Tel, +1(201) 531 1919 Fax, +1(201) 531 1920

Website: www.sorellefurniture.com

Florence Crib W/ Toddler Rail

Assembly Instruction



Important Information:

Read all instructions **BEFORE** assembling crib.

KEEP INSTRUCTIONS FOR FUTURE USE.

Crib Warnings**⚠️ WARNING:**

- *Infants can suffocate on soft bedding. Never add a pillow or comforter. Never place additional padding under an infant.
- *Failure to follow these warnings and the assembly instructions could result in serious injury or death. **DO NOT** use this crib if you cannot exactly follow the accompanying instructions.
- *To reduce the risk of SIDS, pediatricians recommend healthy infants be placed on their backs to sleep, unless otherwise advised by your physician.
- ***Strangulation Hazard: STRINGS CAN CAUSE STRANGULATION! Do not** place items with a string around a child's neck, such as hood strings or pacifier cords. **Do not** suspend strings over a crib or attach strings to toys.
- ***Strangulation Hazard:** To help prevent strangulation tighten all fasteners. A child can trap parts of the body or clothing on loose fasteners.
- ***Strangulation Hazard: Do not** place crib near window or patio door where cords from blinds or drapes may strangle a child.
- ***Fall Hazard:** When child is able to pull to a standing position, set mattress to lowest position and remove bumper pads, large toys and other objects that could serve as steps for climbing out. This crib has an adjustable mattress support. For the convenience of the parent when the baby is very small, the mattress support may be used in the highest position. Important: with the mattress support and mattress in the highest position, be absolutely sure that the top of the front crib side is at least 3 inches higher than the top surface of the mattress. If it is not, lower the mattress support and the mattress to the next highest position.
- ***Fall Hazard:** Stop using crib when child begins to climb out or reaches a height of 35in. (89cm), whichever occurs first. The child should be placed in a youth or regular bed.
- *Check this product for damaged hardware, loose joints, loose bolts or other fasteners, missing parts, or sharp edges before and after assembly and frequently during use. Securely tighten loose bolts and other fasteners. **Do not use crib** if any parts are missing, damaged or broken. Contact C&T International Inc. for replacement parts and instructional literature if needed. Do not substitute parts.
- *Follow warnings on **all** products in a crib.
- *If refinishing, use a non-toxic finish specified for children's products.
- ***Never** use plastic shipping bags or other plastic film as mattress covers because they can cause suffocation.
- *Infants can suffocate in gaps between crib sides and a mattress that is too small.
- *Ensure a safe environment for the child by checking regularly, before placing the child in the crib, that every component is properly and securely in place.
- *To avoid head injury, do not allow any child to play underneath the crib.
- ***Never** add an accessory such as a bassinet or changing table that extends over the sleeping area.

CAUTION : ANY MATTRESS USED IN THIS CRIB MUST BE AT LEAST 27 1/4" (69CM) x 51 5/8" (131 CM) WITH A THICKNESS NOT EXCEEDING 6" (15CM).

Toddler Bed Warnings

⚠️ WARNING

INFANTS HAVE DIED IN TODDLER BEDS FROM ENTRAPMENT.

Openings in and between bed parts can entrap head and neck of a small child.

NEVER use bed with children younger than 15 months.

ALWAYS follow assembly instructions.

The maximum user weight is 50lbs (22.7kg)

⚠️ WARNING

STRANGULATION HAZARD

NEVER place bed near windows where cords from blinds or drapes may strangle a child.

NEVER suspend strings over a bed.

NEVER place items with a string, cord, or ribbon, such as hood strings or pacifier cords, around a child's neck. These items may catch on bed parts.

⚠️ CAUTION

ENTRAPMENT HAZARD

To avoid dangerous gaps, any mattress used in this bed shall be a full-size crib mattress at least 51 5/8 in (1310mm) in length, 27 1/4 in (690mm) in width and 4 in (100mm) in thickness. The mattress thickness must not exceed 6 in (150mm).

NOTES ON ASSEMBLY:

-During the assembly process whenever using screws or bolts, check each by placing the screw/bolt on the diagram of the item which is drawn actual size and design. Be sure to use the proper size and shape specified in the instructions.

-To assemble this unit you may be required to place the unit on it's side and face. It is strongly recommended that assembly is done on a soft, non-abrasive surface to avoid damaging the finish.

NOTES ON USE:

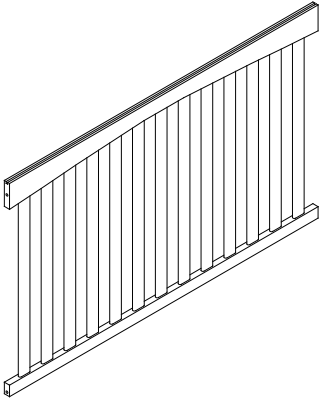
Keep children and others safe by following these simple rules:

- **Do not** allow any child to play on furniture
- **Do not** allow climbing on any piece of furniture.
- **Do not** allow hanging from any piece of furniture.
- Always monitor your child's activity when in the nursery.

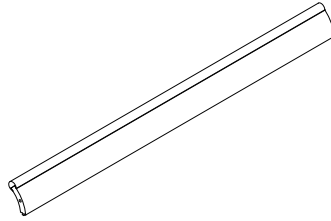
NOTES ON CARE AND MAINTENANCE:

- **Do not** scratch or chip the finish.
- Inspect the product periodically, contact C&T International Inc. for replacement parts or questions.
- **Do not** store the product or any parts in extreme temperatures and conditions such as a hot attic or a damp, cold basement. These extremes can cause a loss of structural integrity.
- To preserve the luster of the high quality finish on your product, it is recommended to place a doily or felt pad under any items you place on the finish.
- Clean with a damp cloth, then a dry cloth to preserve the original luster and beauty of this fine finish.
- Do not** use abrasive chemicals.
- Do not** spray cleaners directly onto furniture.
- Lift slightly when moving on carpeting to prevent leg breakage.
- Use of a vaporizer near furniture will cause wood to swell and finish to peel.

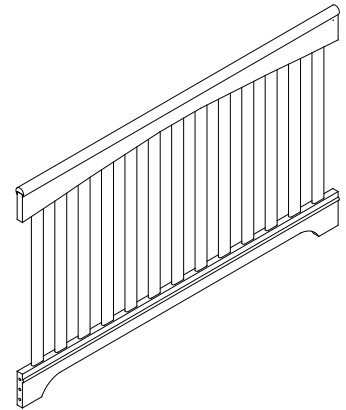
Crib Assembly Parts



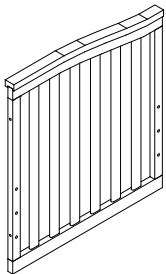
(A) HeadBoard (1 pc)



(A1) HeadBoard Top Rail (1 pc)



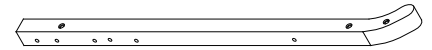
(B) FootBoard (1 pc)



(C) Side Frame (2 pcs)



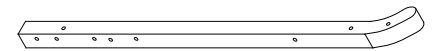
(DRF)Right Front Corner Post (1 pc)



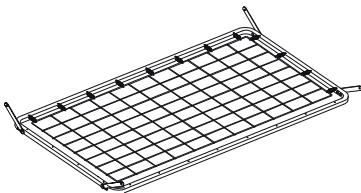
(ERB)Right Back Corner Post (1 pc)



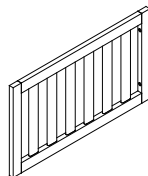
(DLF)Left Front Corner Post (1 pc)



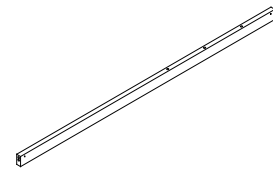
(ELB)Left Back Corner Post (1 pc)



(F) Mattress Support (1 pc)

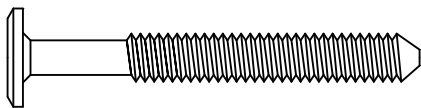
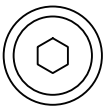


(H) GuardRail (1 pc)

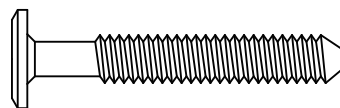
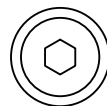


(H1) Stabilizer Bar (1 pc)

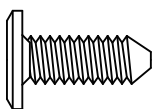
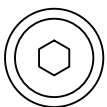
Hardware List



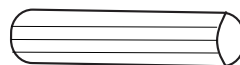
(a) M6 x 50mm Allen bolt (12 pcs)



(b) M6 x 42mm Allen bolt (8 pcs)



(c) M6 x 17mm Allen bolt (4 pcs)



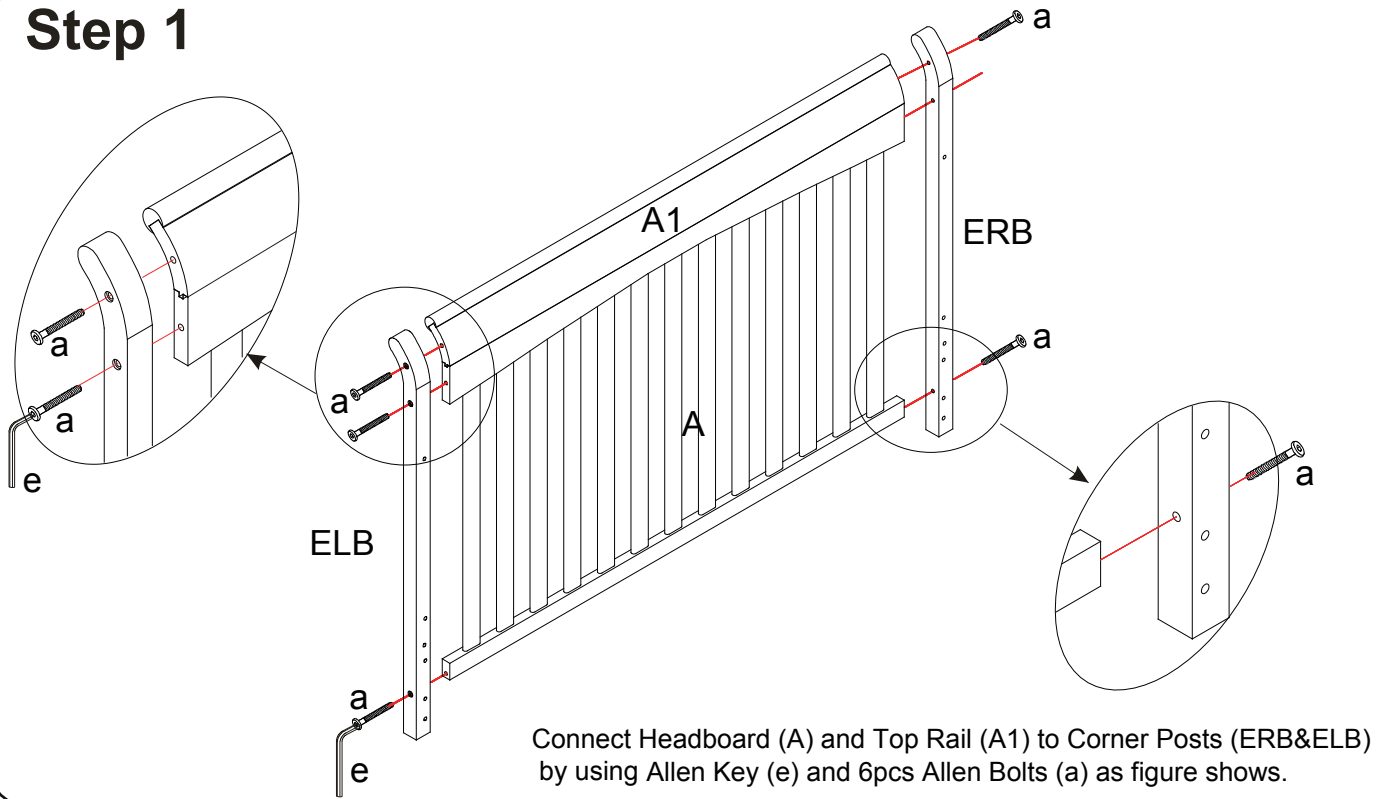
(d) Wood Dowel (6 pcs)



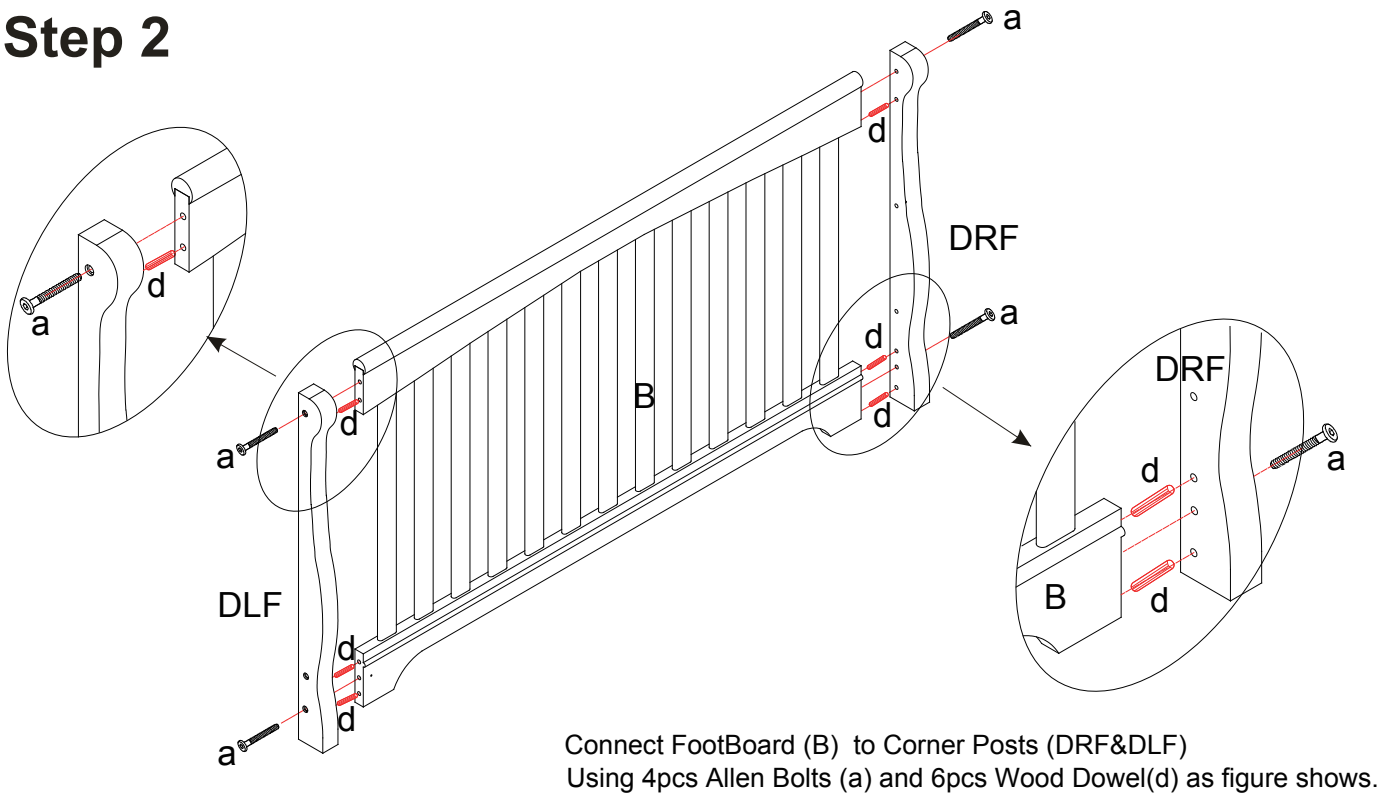
(e) Allen Key (1 pcs)

Crib Assembly Steps

Step 1

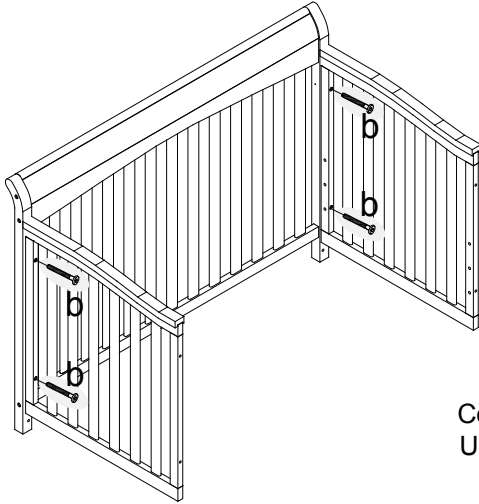


Step 2



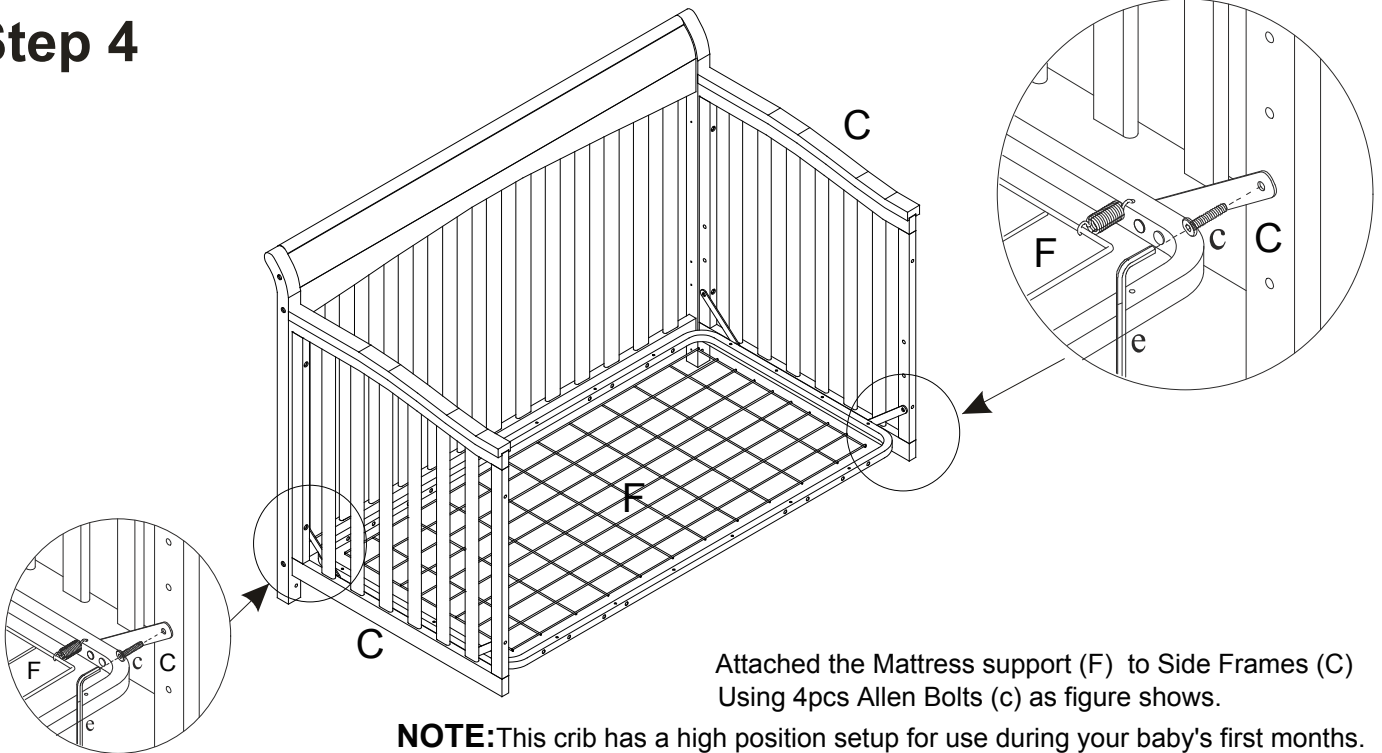
Crib Assembly Steps

Step 3



Connect Side Frames (C) to Corner Posts (ERB&ELB) Using 4pcs Allen Bolts (b) as figure shows.

Step 4



Attached the Mattress support (F) to Side Frames (C) Using 4pcs Allen Bolts (c) as figure shows.

NOTE: This crib has a high position setup for use during your baby's first months. As soon as your baby starts to sit up, you must use the lowest mattress level.

Step 5



Attached Front Frame to Side Frames (C) Using 4pcs Allen Bolts (b) as figure shows.



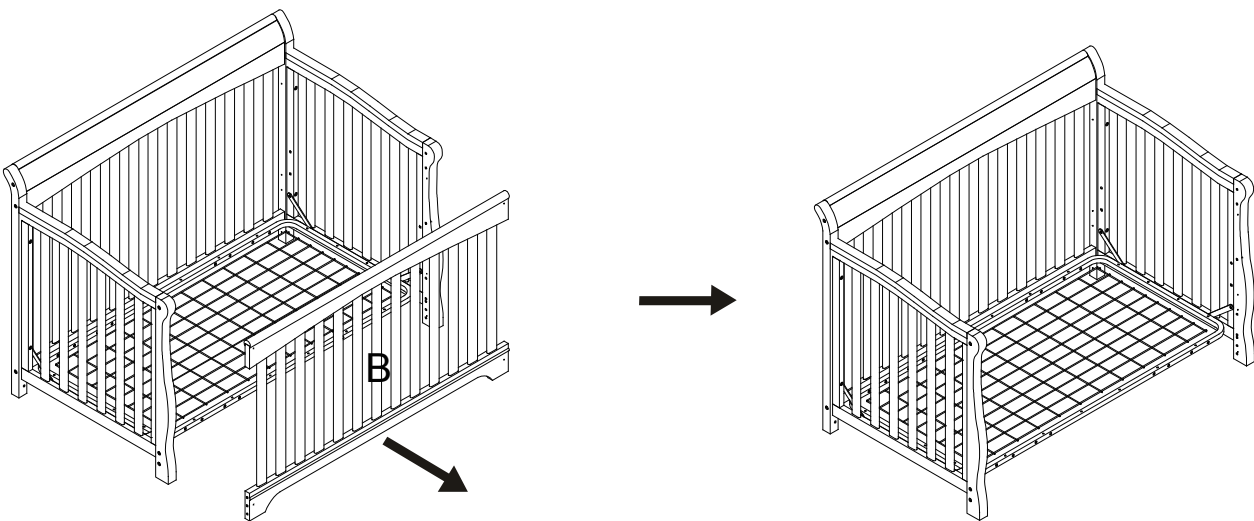
Your crib is now ready to use.

Toddler Bed Conversion

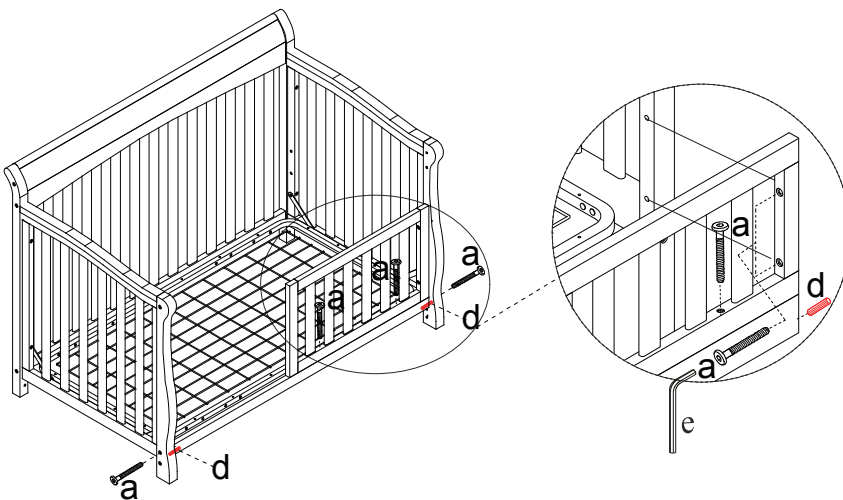
⚠ WARNING: SEE PAGE 3 FOR TODDLER BED WARNINGS

The mattress support must be in the lowest positions.
Store all hardware safely.
Read all warnings on page 3.

Step 1



Move out the FootBoard (B) by loosening Allen Bolts (a) and Wood Dowels (d).
Install the Guardrail and Stabilizer Bar to the Crib as figure.



Install the Guardrail and Stabilizer Bar to the Crib using 6 pcs Allen Bolts (a)
and 2 pcs Wood dowels (d) as figure.

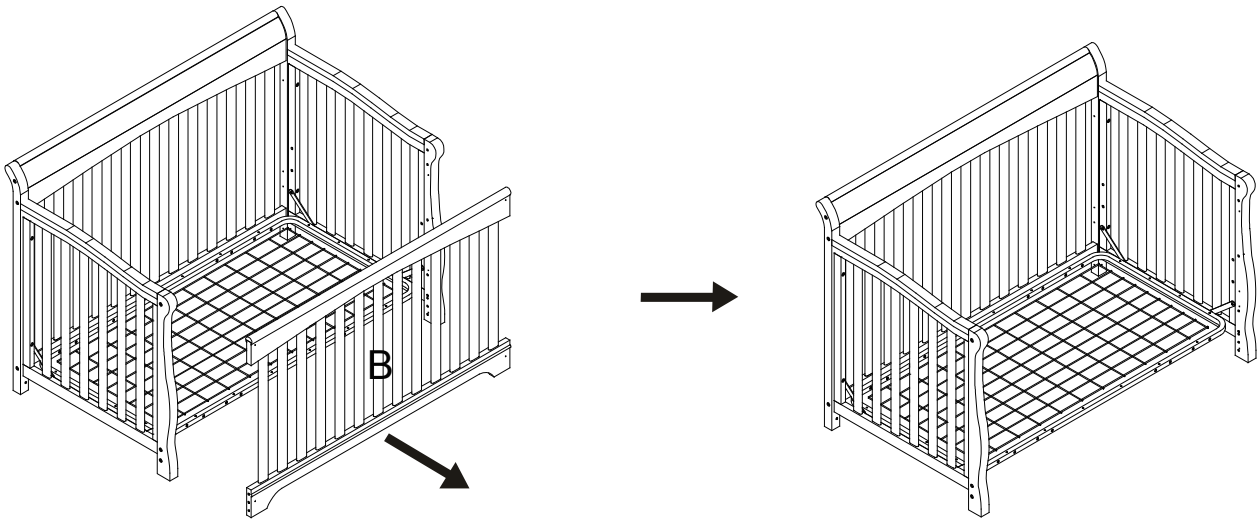
Day Bed or Love seat sofa Conversion

The mattress support must be in the lowest positions.
Store all hardware safely.

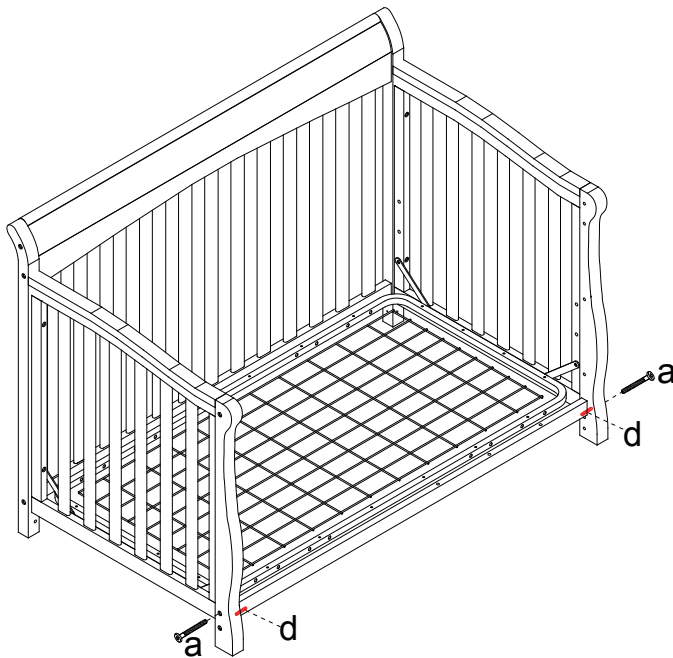
Step 2

⚠ Stabilizer bar must be used when converted to a Day bed or Love seat sofa.

NOTE: The Day bed or Love seat sofa not for adults



Move out the FootBoard (B) by loosening Allen Bolts (a) and Wood Dowels (d).



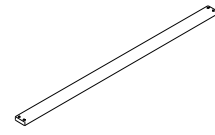
Install the Stabilizer Bar to the Crib using 2pcs Allen Bolts (a) and 2pcs Wood dowels(d) as figure.

Fullsize Bed Conversion (Optional)

Additional Parts and Hardware (215# Adult Rail Not included, sold separately)



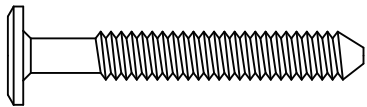
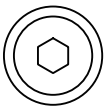
(A) 215# Bed Rail (2 pcs)



(B) 215# Mattress Support Bar (4 pcs)



(C) 215# Adaptor (4pcs)



(a) M6 x 45mm Allen bolt (8 pcs)

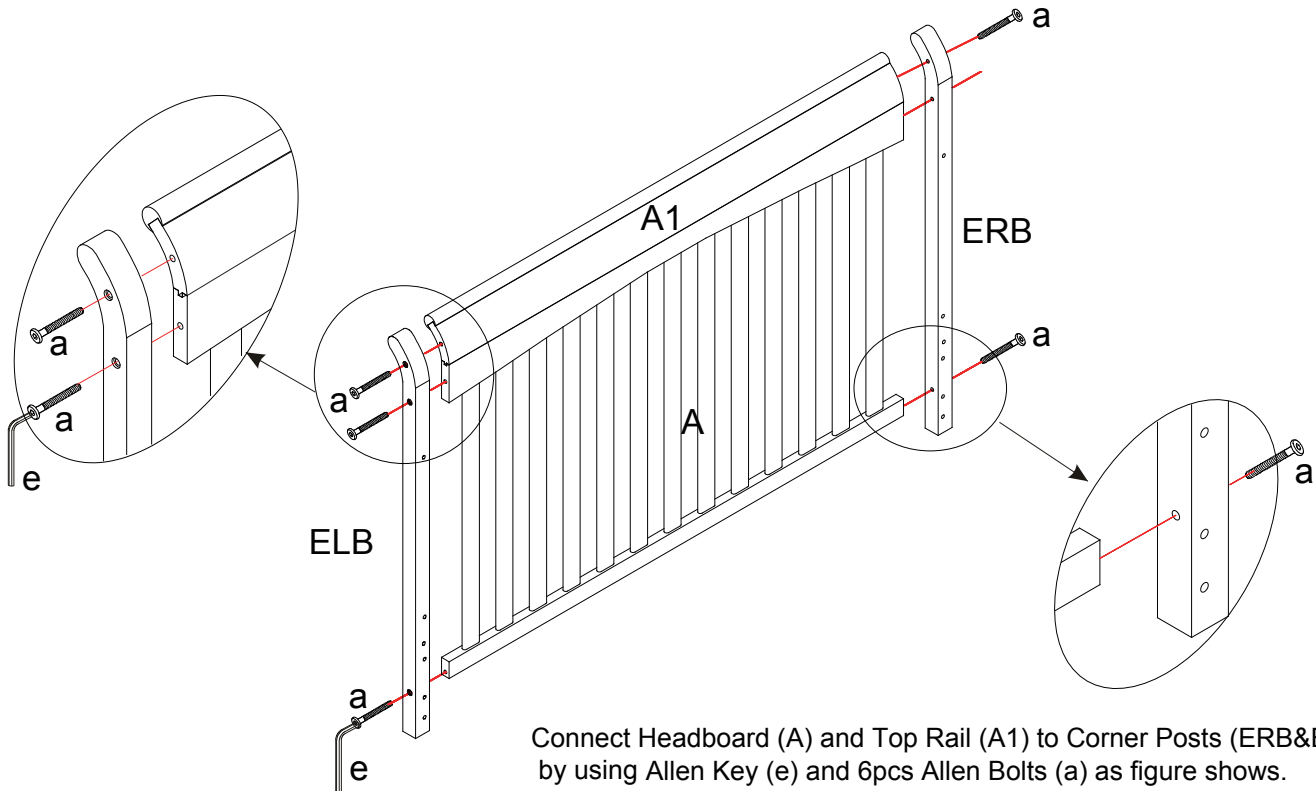


(b) Ø4 X 30mm Phillips Screw (16 pcs)



(e) Allen Key (1 pcs)

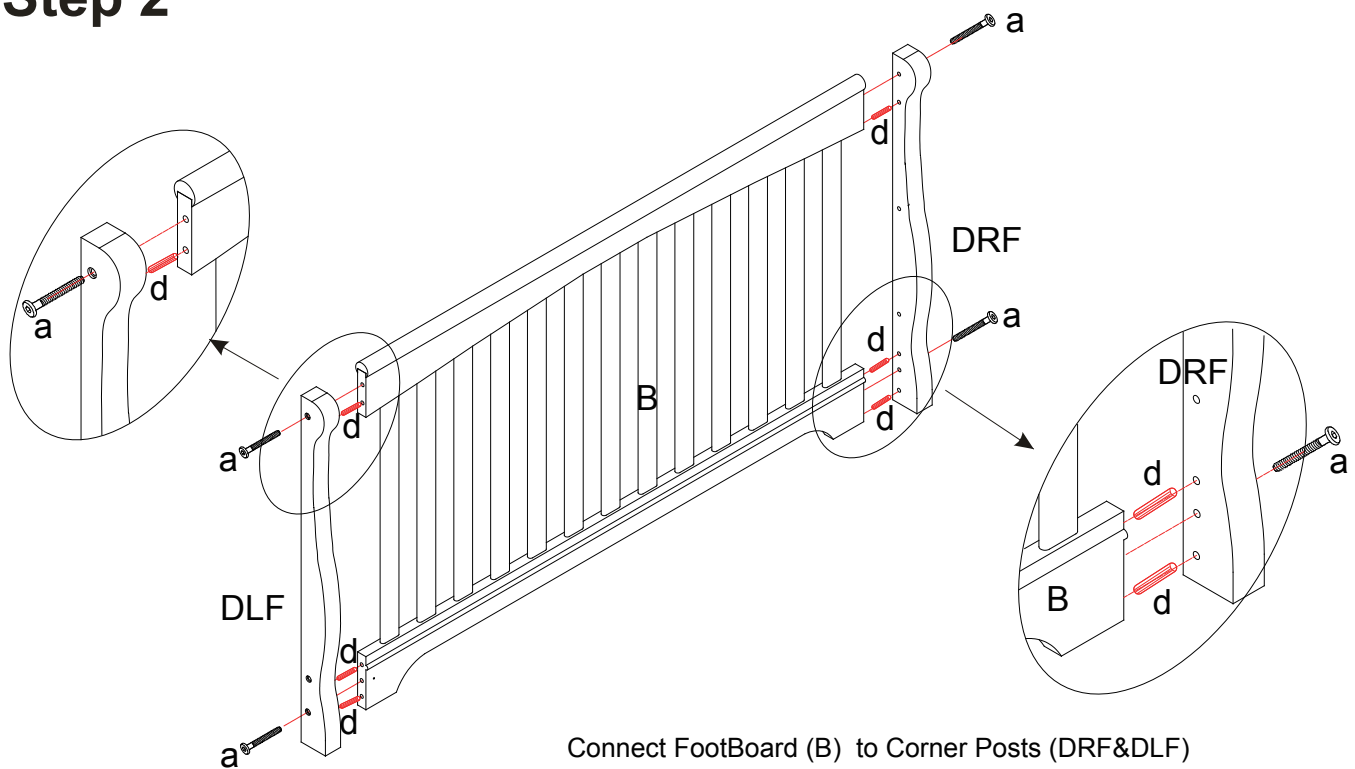
Step 1



Connect Headboard (A) and Top Rail (A1) to Corner Posts (ERB&ELB) by using Allen Key (e) and 6pcs Allen Bolts (a) as figure shows.

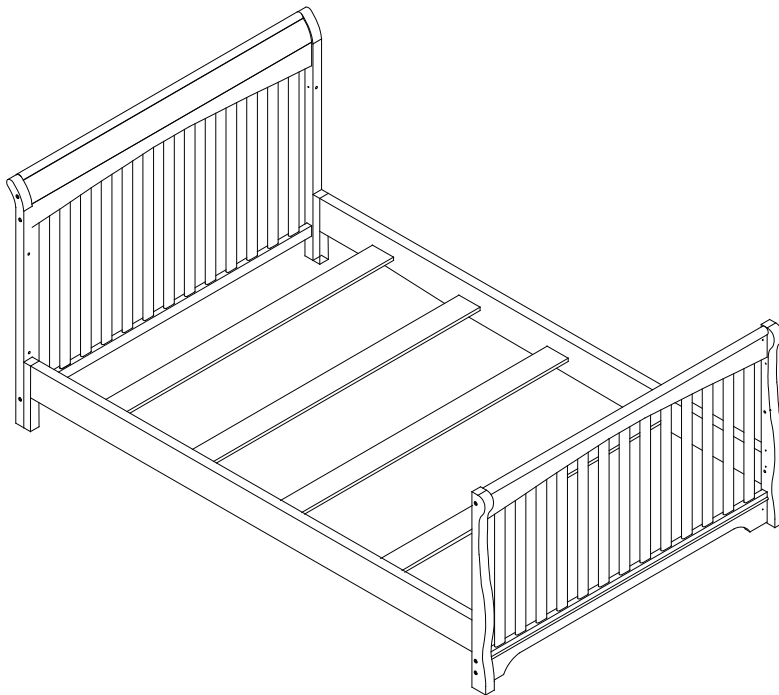
Fullsize Bed Conversion (Optional)

Step 2



Connect FootBoard (B) to Corner Posts (DRF&DLF)
Using 4pcs Allen Bolts (a) and 6pcs Wood Dowel(d) as figure shows.

Step 3



Attach Bed Frame to the Headboard (From Step 1) and Footboard (From Step 1&2).
Follow all instructions supplied with the 215# Adult Rail System. **NOTE:** 215# Adult Rail System is not included. Please see your crib retailer, visit WWW.Sorellefurniture.com or contact C&T International Inc. for more information.