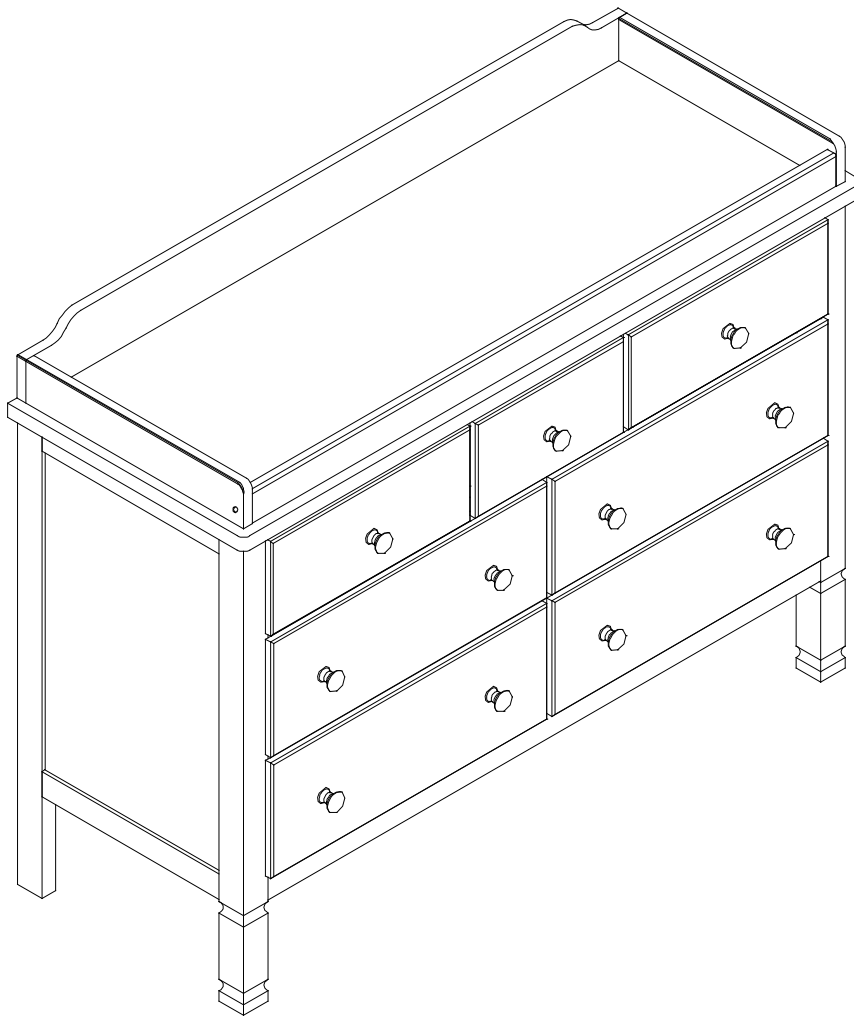




By Sorelle - A Division of C&T International, Inc.
46 Whelan Road, East Rutherford, N. J. 07073 U. S. A.
Tel, +1(201)531 1919 Fax, +1(201)531 1920
Website: www.sorellefurniture.com

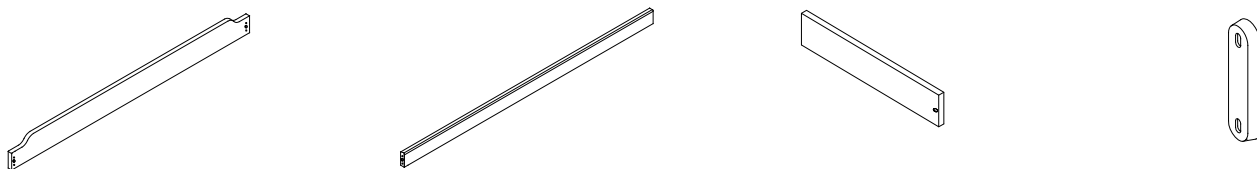
Bedford Combo Assembly Instruction



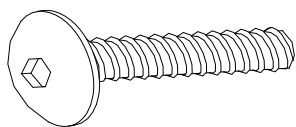
Important Information:

Thank you for selecting a C&T product. To ensure the best performance from your Combo, please read these instructions carefully.
Carefully remove and lay out all parts. Familiarize yourself with all diagrams.
Hardware enclosed in the sack should correspond with hardware list. Be sure all are included and quantities are correct. Store this instruction manual for future reference.

Assembly parts and hardware



(A) Back Cross Bar (1pc) (B) Front Cross Bar (1pc) (C) Side Cross Bar (2pcs) (D) Connecting Wood (2pcs)



(a) 1/4" x 25mm Bolts (8 pcs)



(b) Allen Key (1 pcs)

Assembly

1 Step 1

Use 4 pcs Bolt (a) to attach the Side Cross Bar (C) to the Back Cross Bar (A) & Front Cross Bar (B). As shown in Figure 1.

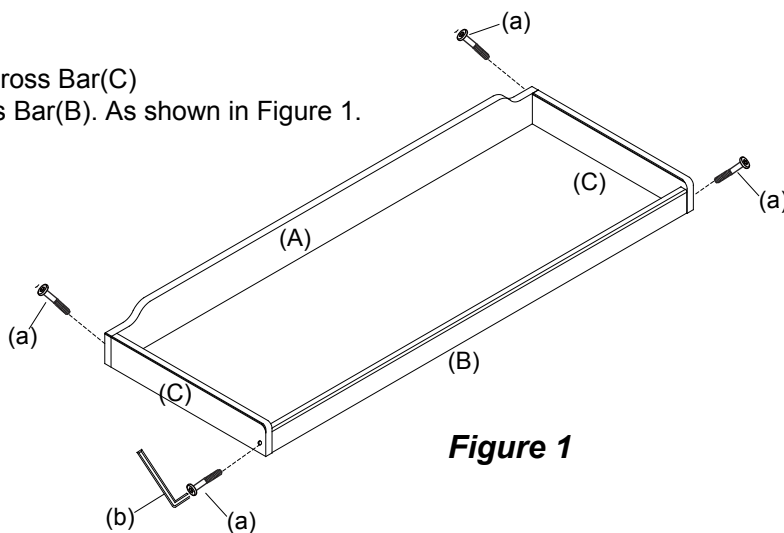


Figure 1

Step 2

Use 4 pcs Bolt (a) to attach Back Cross Bars (A) to the Combo. As shown in Figure 2.

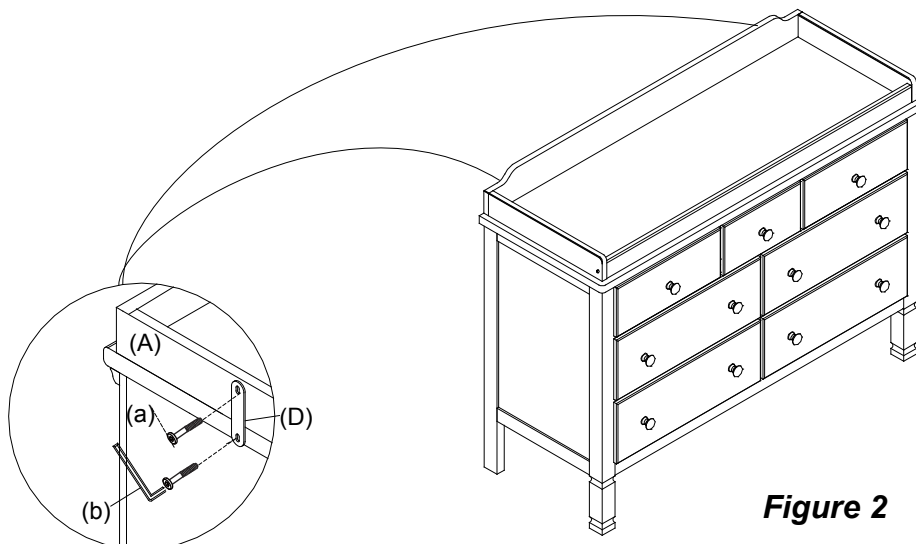
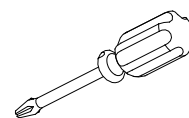


Figure 2



⊕ Tool required