



By Sorelle - A Division of C & T International, Inc.
46 Whelan Road, East Rutherford, N.J.07073 U.S.A.
Tel, +1(201) 531 1919 Fax, +1(201) 531 1920
Website: www.sorellefurniture.com

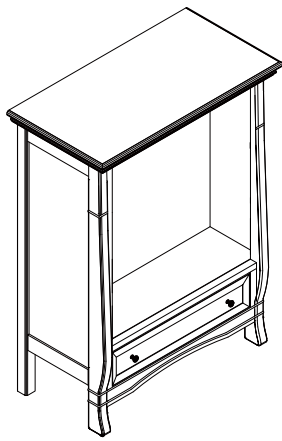
Montgomery Bookcase Assembly Instruction



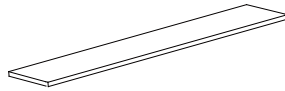
Important Information:

Before assembly, **read** these instructions. Make sure all preassembled parts are tight. Store this instruction manual in envelope for future reference.

Assembly Parts and Hardware



(A) Bookcase (x1)



(B) Adjustable Shelf (x2)

(a) Shelf Support (x8)



(b) Ø3.5 X 15mm Phillips Screw (x8)



Assembly Step

Step

Legs and Shelf Assembly

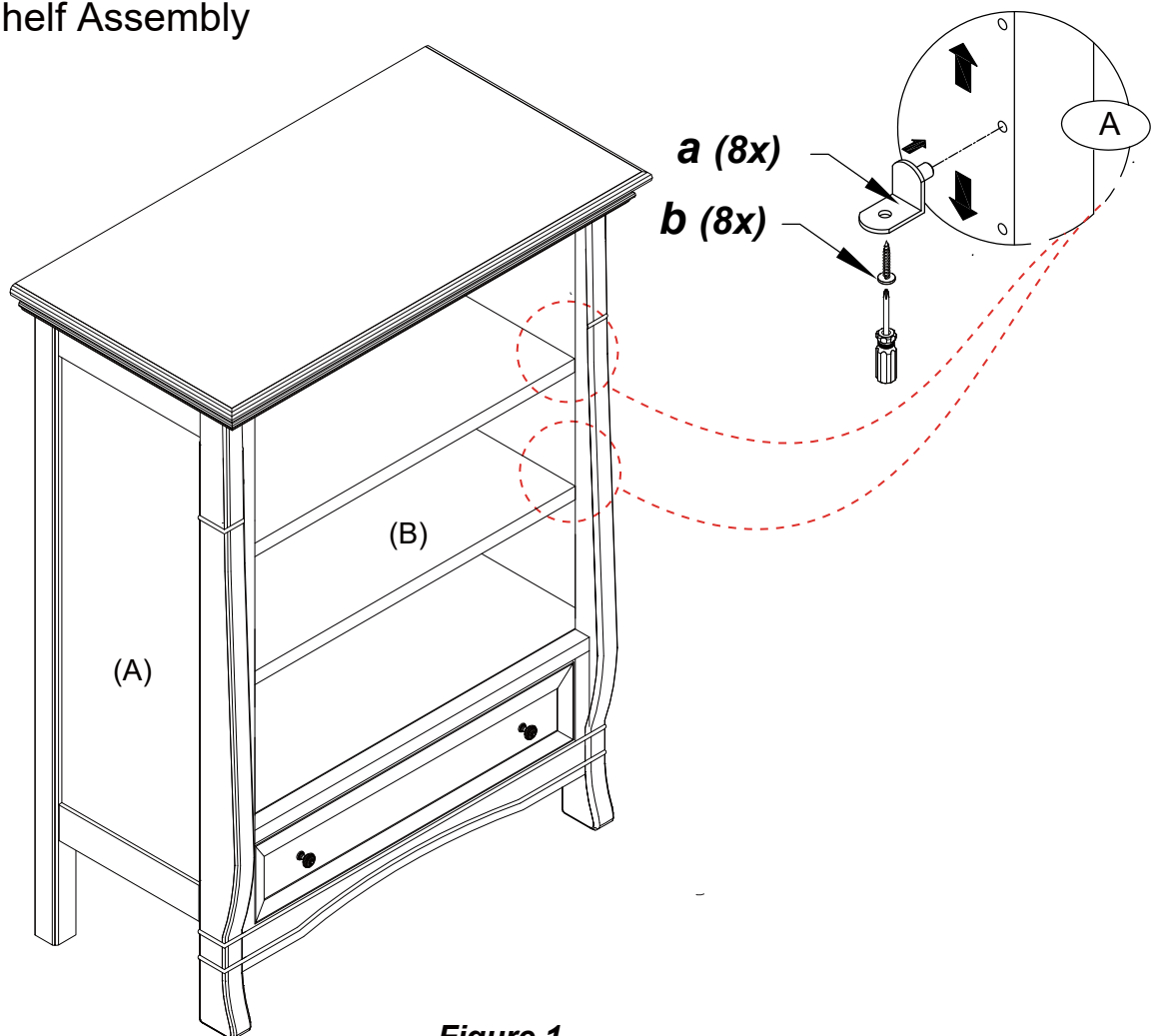


Figure 1



⊕ Tool required