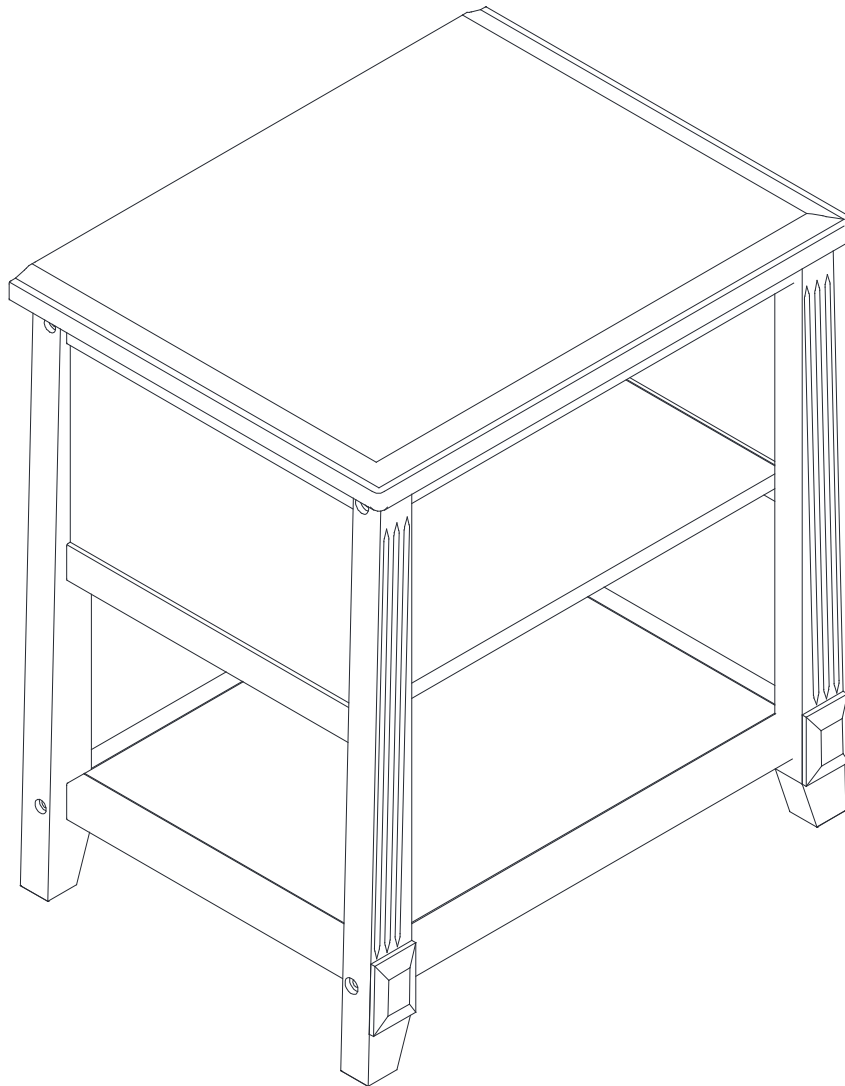




By Sorelle - A Division of C&T International, Inc.
46 Whelan Road, East Rutherford, N. J. 07073 U. S. A.
Tel, +1(201)531 1919 Fax, +1(201)531 1920
Website: www.sorellefurniture.com

Berkly Nightstand

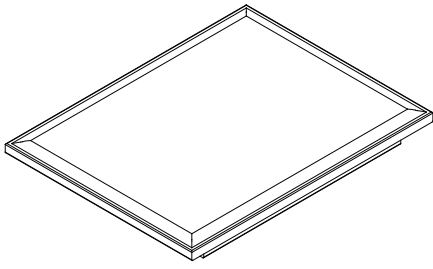
Assembly Instruction



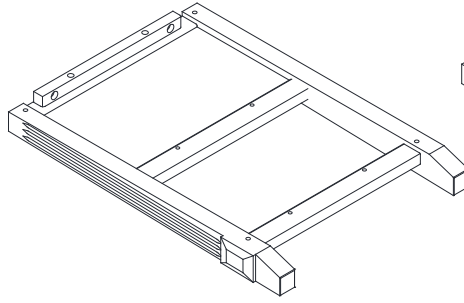
Important Information:

Before assembly, **read** these instructions. Make sure all preassembled parts are tight. Store this instruction manual for future reference.

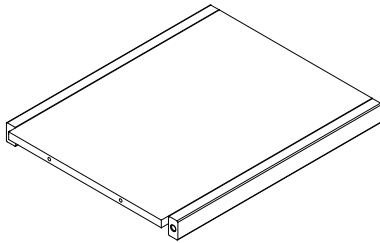
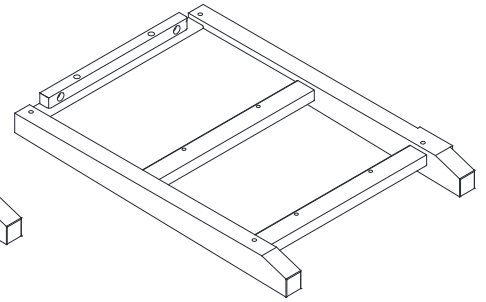
Assembly Parts



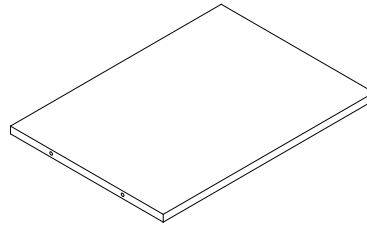
(A) Top panel (1 pc)



(B) Side panels (2 pcs)

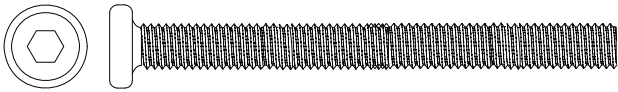


(C) Bottom Panel (1 pc)

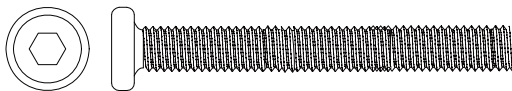


(D) Fixed Shelf (1 pc)

Assembly Hardware



(a) 1/4" * 2-1/2" Allen Bolt (4 pcs)



(b) 1/4" * 2" Allen Bolt (4 pcs)

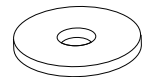


(c) 1/4" * 1-1/2" Allen Bolt (4 pcs)

(d) Allen Key (1PC)



(e). Flat Washer (12 pcs)



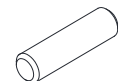
(f). Lock Washer (12 pcs)



(g). Wood dowels (4 pcs)



(h). Metal Pin (8 pcs)



Nightstand Assembly

1

Attach Bottom panel (C) and fixed shelf (D) to side panels (B), using eight (8) Metal Pins (h) .See Figure 1.

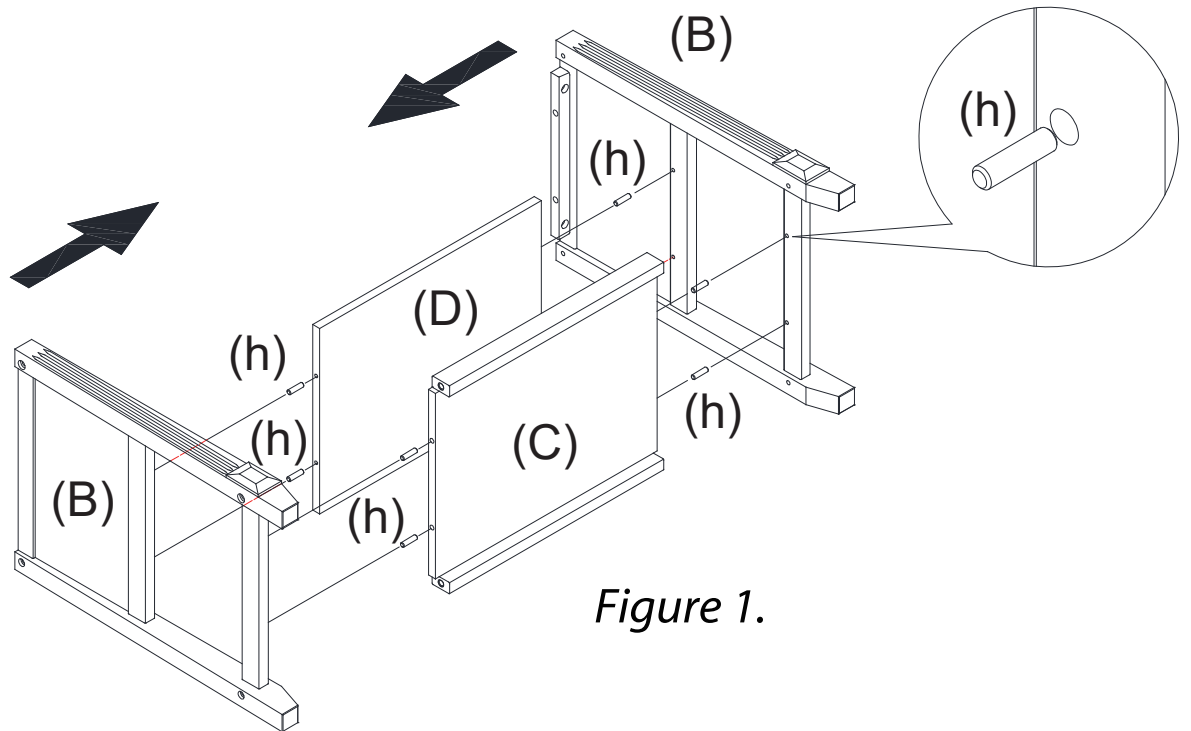


Figure 1.

2

Attach Bottom panel (C) and fixed shelf (D) to side panels (B), by using Four (4) Allen head Bolt(a)&Four (4) Washer (f)& Four(4) Spring Washer (e).Use Allen key to tighten bolts. See Figure 2.

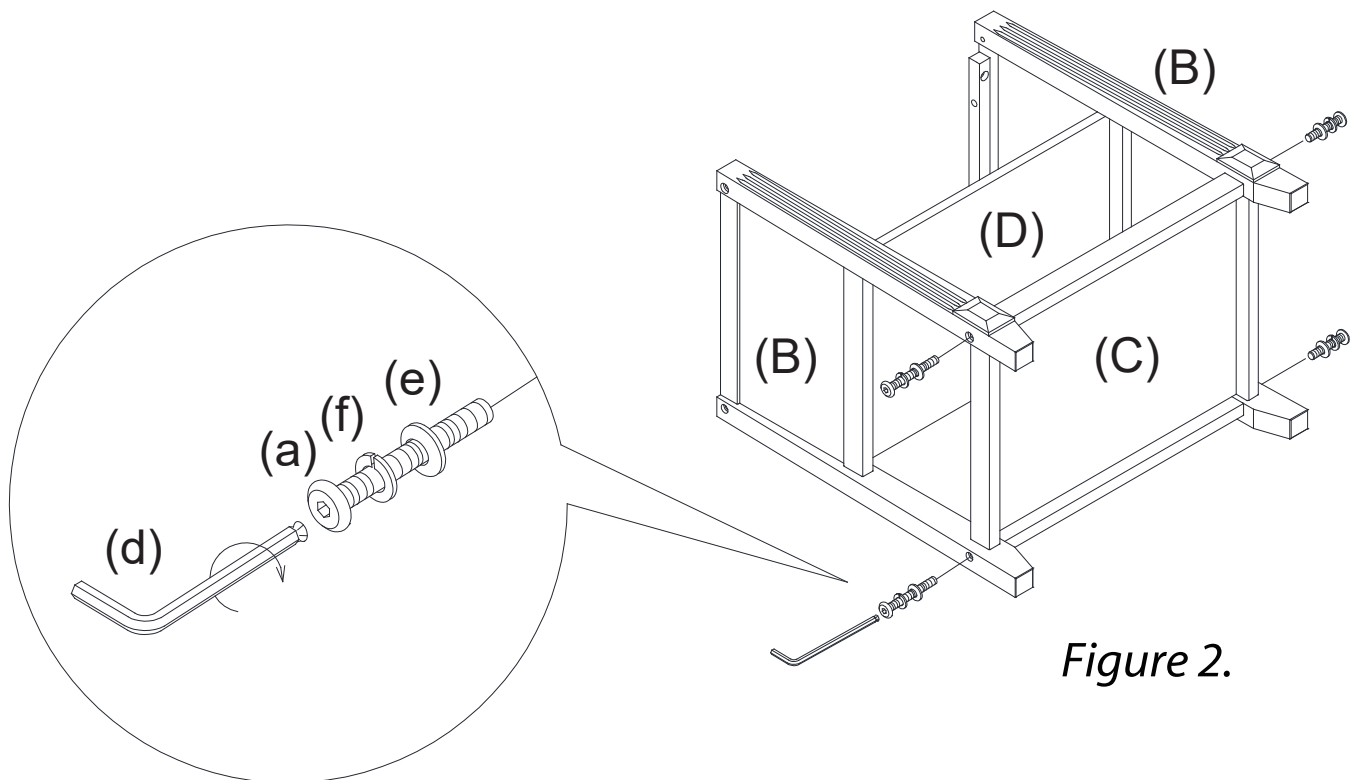


Figure 2.

Nightstand Assembly

- 3** Attach Top panel (A) , by using Four (4)Allen head Bolt(c)&Four (4) Washer (f)& Four(4) Spring Washer (e), using Four (4) wood dowels . Use Allen key to tighten bolts。 See Figure 3.

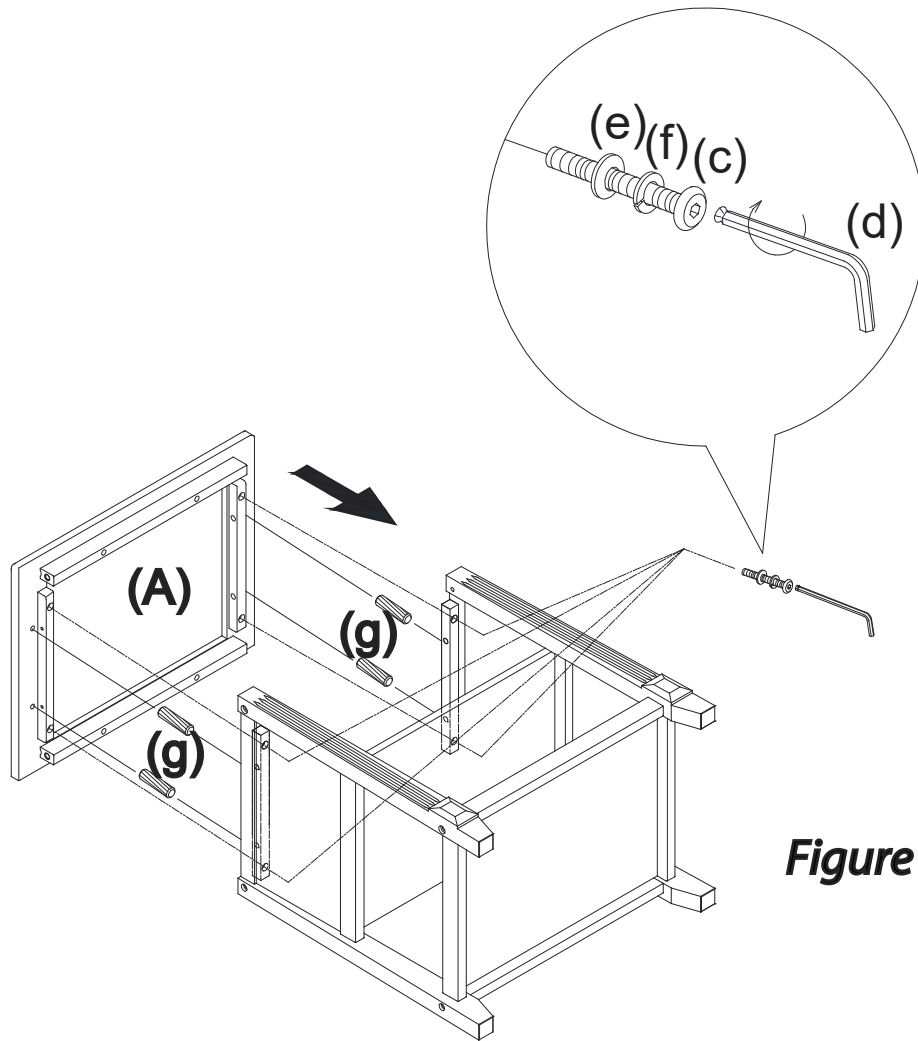


Figure 3.

- 4** Attach Top panel (A) , by using Four (4)Allen head Bolt(b)&Four (4) Washer (f)& Four(4) Spring Washer (e), Use Allen key to tighten bolts。 See Figure 4.

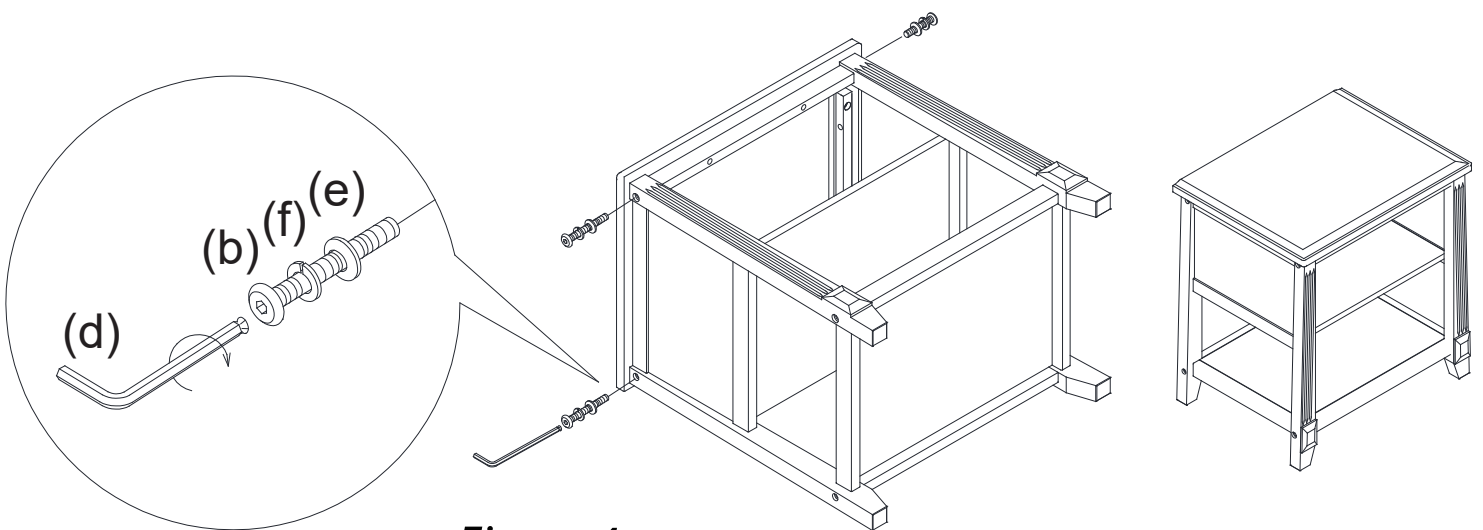


Figure 4.