



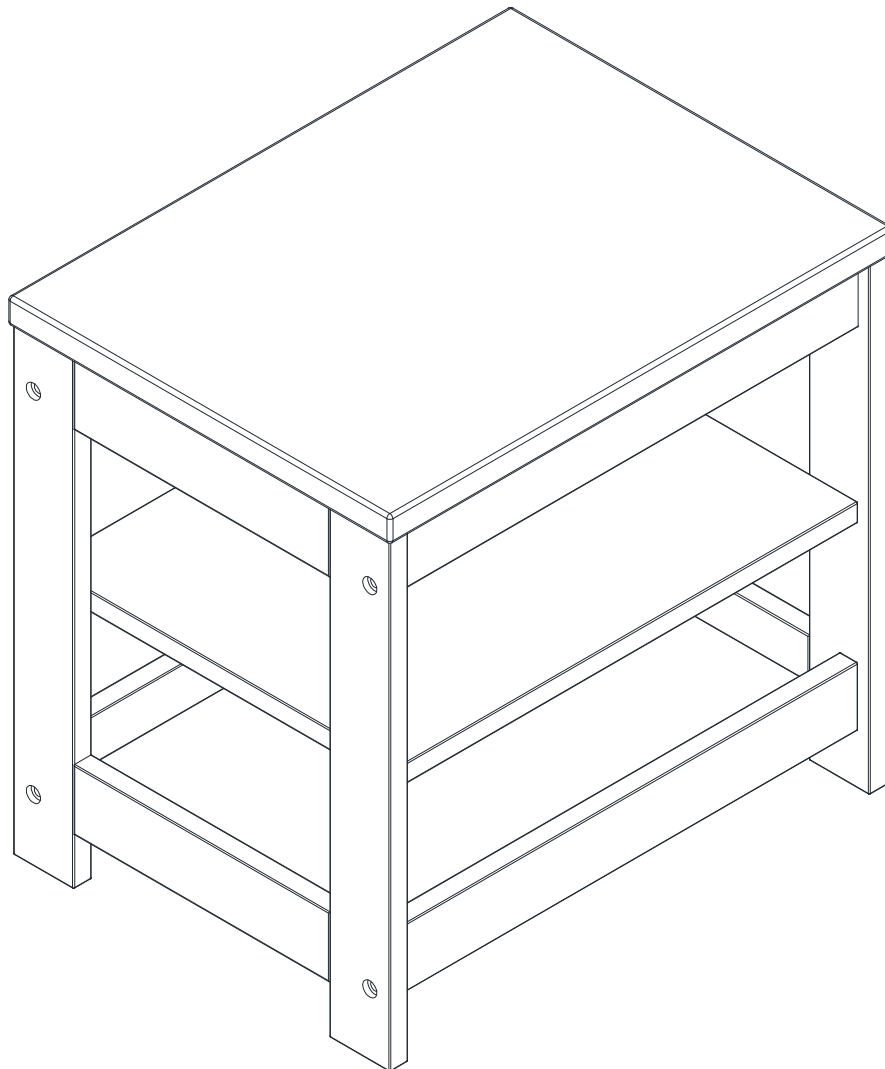
By Sorelle - A Division of C & T International, Inc.

46 Whelan Road, East Rutherford, N.J.07073 U.S.A.

Tel, +1(201) 531 1919 Fax, +1(201) 531 1920

Website: www.sorellefurniture.com

41000 SIERRA NIGHTSTAND Assembly Instruction



Important Information:

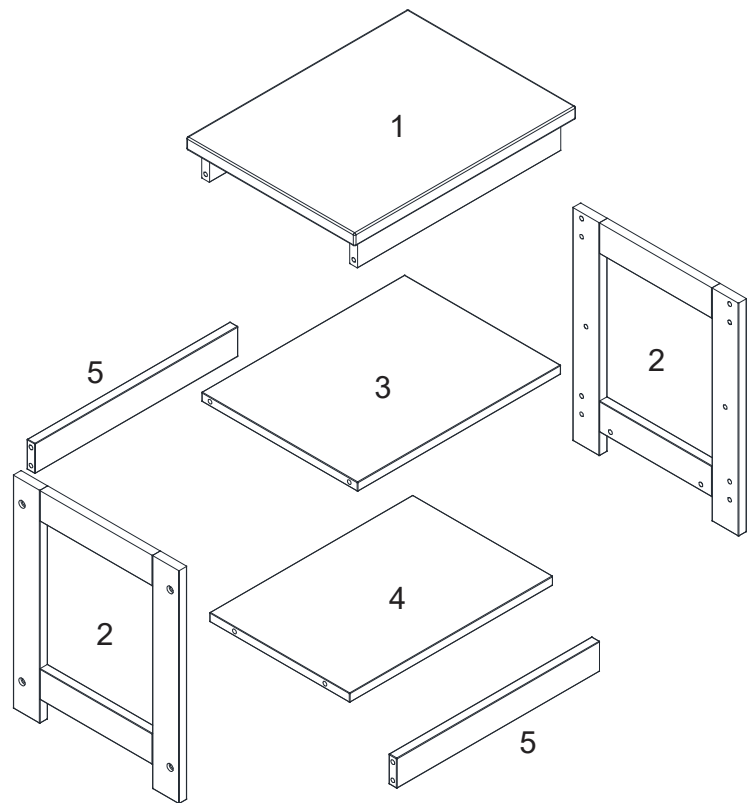
Read all instructions **BEFORE** assembling.

KEEP INSTRUCTIONS FOR FUTURE USE.

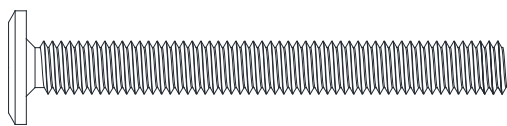
ASSEMBLY INSTRUCTIONS

PARTS LIST

No.	Qty	Description
1	1	Top Panel
2	2	Side Frame
3	1	Middle Shelf
4	1	Bottom Shelf
5	2	Bottom Rail



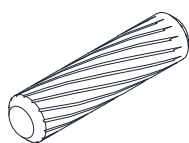
HARDWARE LIST



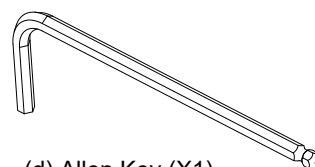
(a) M6 x 55mm Bolts (X8)



(b) Barrel Nut (X8)



(c) 30mm Wood Dowel (X16)



(d) Allen Key (X1)

Assembly Steps

Step 1 Left Side Frame Assembly

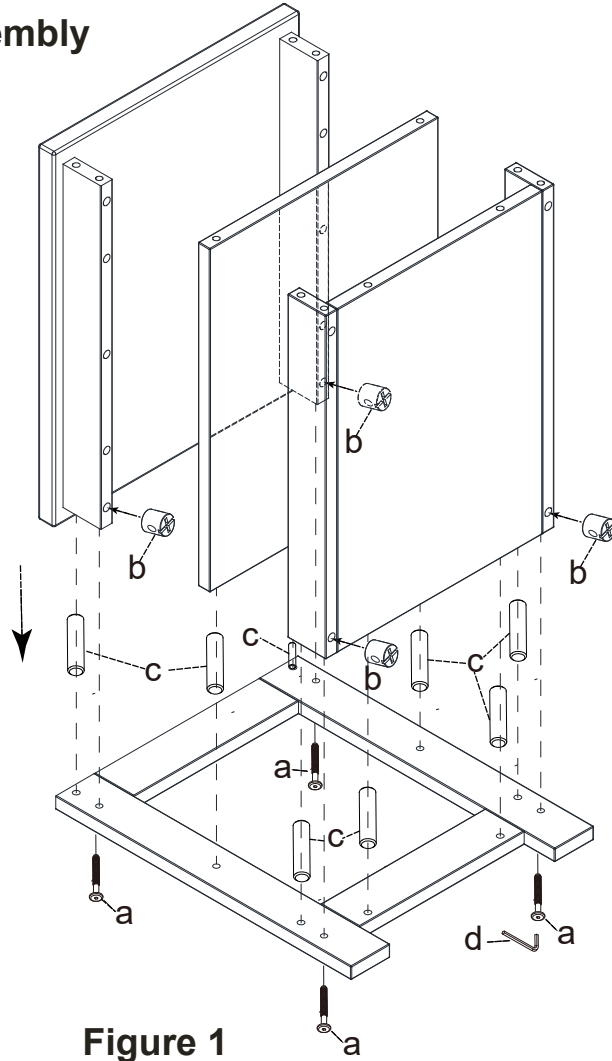


Figure 1

Step 2 Right Side Frame Assembly

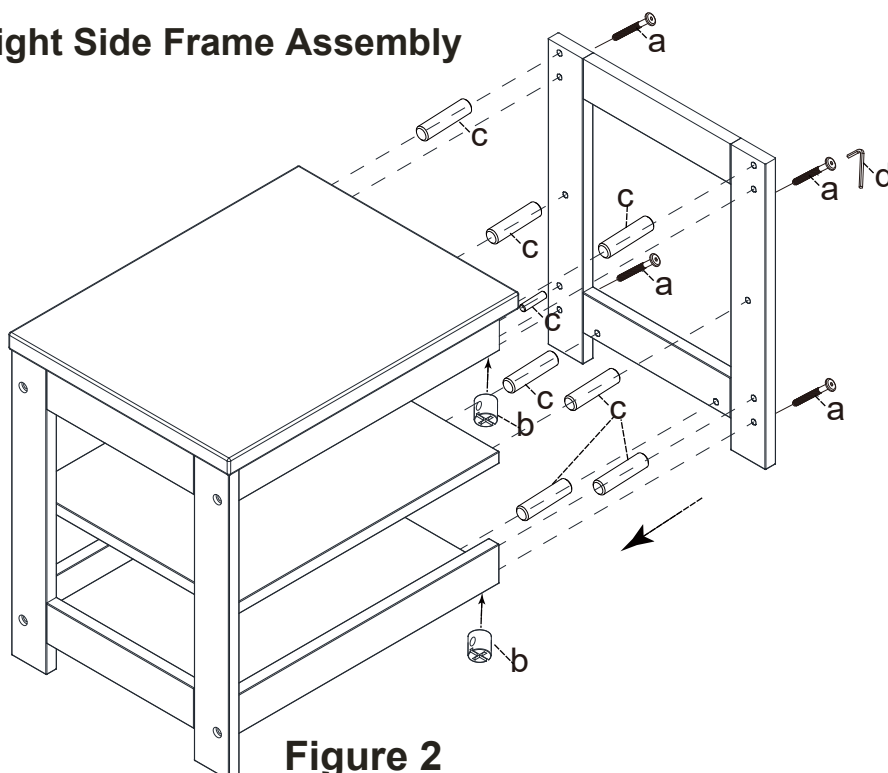


Figure 2

Assembly Steps

Step 3 Tight all Bolts

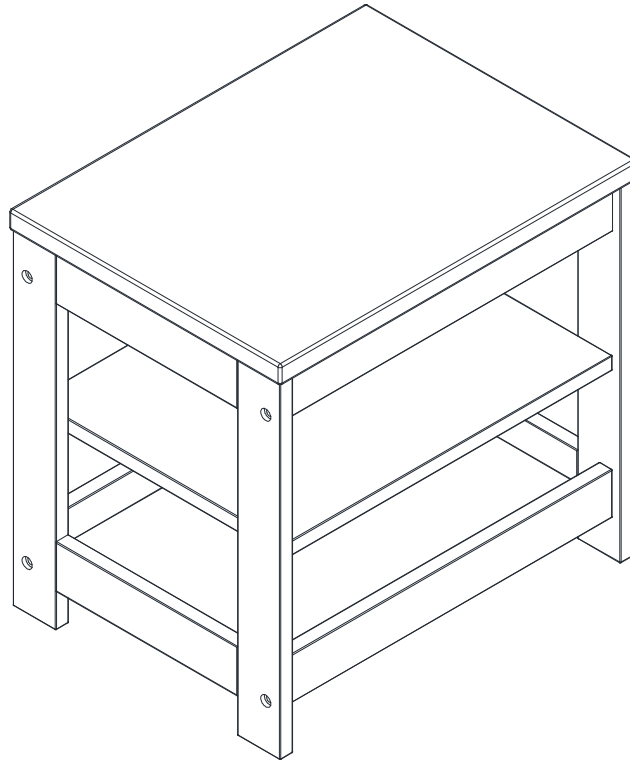


Figure 3