



IMPORTED BY C&T International, Inc. / IMPORTE` PAR de C&T International, Inc.
105 Stonehurst Ct Northvale, NJ 07647 U.S.A. Tel, 201- 531-1919 Fax, 201- 531-1920
CANADA ADDRESS:
3453, DU PRESIDENT KENNEDY LAC MEGANTIC, QUEBEC, CANADA G6B 2Y4
Website: www.sorellefurniture.com / Site Internet : www.sorellefurniture.com

Uptown Acrylic Crib Assembly Instruction



Important Information:

Read all instructions **BEFORE** assembling crib.
KEEP INSTRUCTIONS FOR FUTURE USE.

Crib Warnings

WARNING

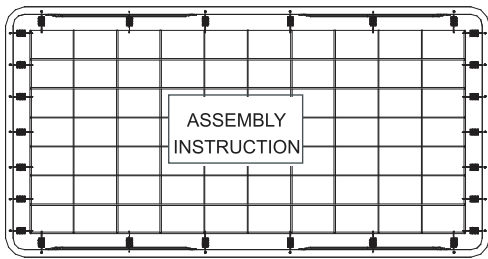
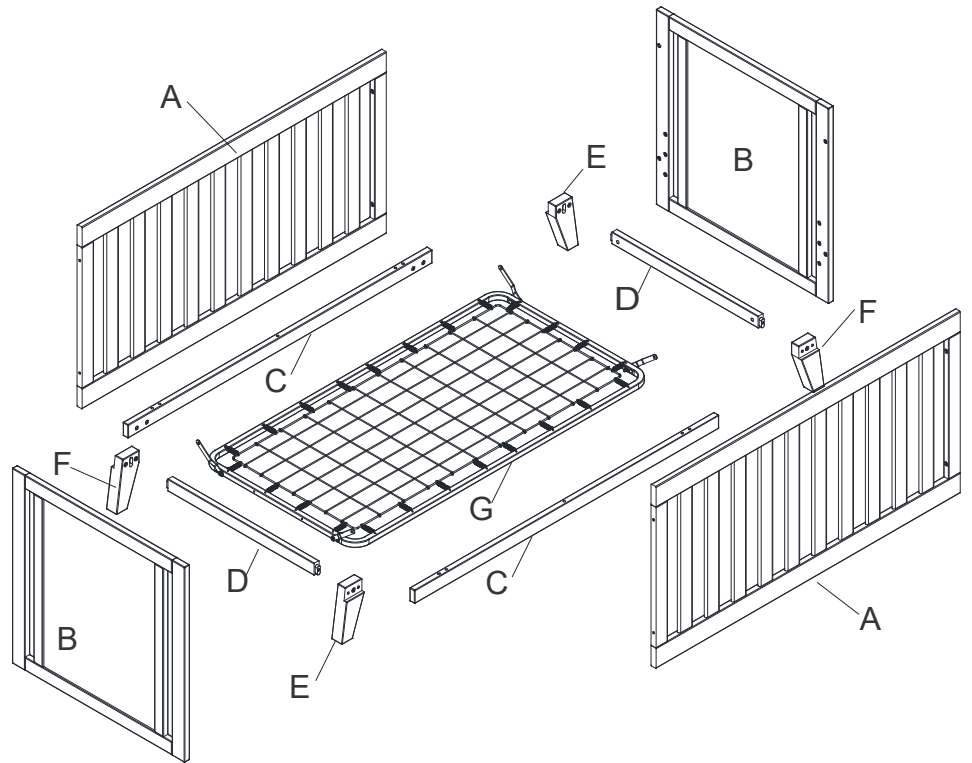
- *Infants can suffocate on soft bedding. Never add a pillow or comforter. Never place additional padding under an infant.
- *Failure to follow these warnings and the assembly instructions could result in serious injury or death. DO NOT use this crib if you cannot exactly follow the accompanying instructions.
- *To reduce the risk of SIDS, pediatricians recommend healthy infants be placed on their backs to sleep, unless otherwise advised by your physician.
- ***Strangulation Hazard: STRINGS CAN CAUSE STRANGULATION! Do not** place items with a string around a child's neck, such as hood strings or pacifier cords. **Do not** suspend strings over a crib or attach strings to toys.
- ***Strangulation Hazard:** To help prevent strangulation tighten all fasteners. A child can trap parts of the body or clothing on loose fasteners.
- ***Strangulation Hazard: Do not** place crib near window or patio door where cords from blinds or drapes may strangle a child.
- ***Fall Hazard:** When child is able to pull to a standing position, set mattress to lowest position and remove bumper pads, large toys and other objects that could serve as steps for climbing out. This crib has an adjustable mattress support. For the convenience of the parent when the baby is very small, the mattress support may be used in the highest position.
- ***Fall Hazard:** Stop using crib when child begins to climb out or reaches a height of 35in. (89cm), whichever occurs first. The child should be placed in a youth or regular bed.
- *Check this product for damaged hardware, loose joints, loose bolts or other fasteners, missing parts, or sharp edges before and after assembly and frequently during use. Securely tighten loose bolts and other fasteners. **Do not use crib** if any parts are missing, damaged or broken. Contact C&T International Inc./Sorelle for replacement parts and instructional literature if needed. Do not substitute parts.
- *Follow warnings on **all** products in a crib.
- *If refinishing, use a non-toxic finish specified for children's products.
- ***Never** use plastic shipping bags or other plastic film as mattress covers because they can cause suffocation.
- *Infants can suffocate in gaps between crib sides and a mattress that is too small.
- *Ensure a safe environment for the child by checking regularly, before placing the child in the crib, that every component is properly and securely in place.
- *To avoid head injury, do not allow any child to play underneath the crib.
- ***Never** add an accessory such as a bassinet or changing table that extends over the sleeping area.

CAUTION : ANY MATTRESS USED IN THIS CRIB SHALL BE AT LEAST 27 1/4" (69CM) x 51 5/8" (131 CM) WITH A THICKNESS NOT EXCEEDING 6" (15CM).

Crib Assembly Parts

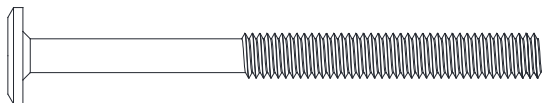
Parts list

No.	Qty.	Description
A	2	Side Frame
B	2	End Frame
C	2	Longer Bars
D	2	Shorter Bars
E	2	Left Legs
F	2	Right Legs
G	1	Mattress Support

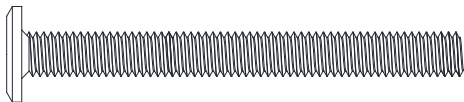


G

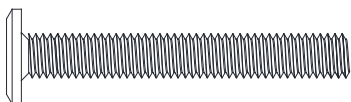
Assembly Hardware Set



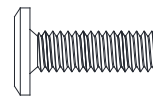
a. Allen head bolt 70mm (10 pcs)



b. Allen head bolt 60mm (8 pcs)



c. Allen head bolt 45mm (8 pcs)



d. Allen head bolt 17mm (4 pcs)



e . Nuts (4 pcs)



f . Wooden dowel (4 pcs)



g. Allen Wrench (1 pc)

Important: In order to properly assemble the crib, carry out the operations in order specified. Failure to assemble the crib in the manner recommended order can make the crib hazardous.

Assembly Steps

Step 1

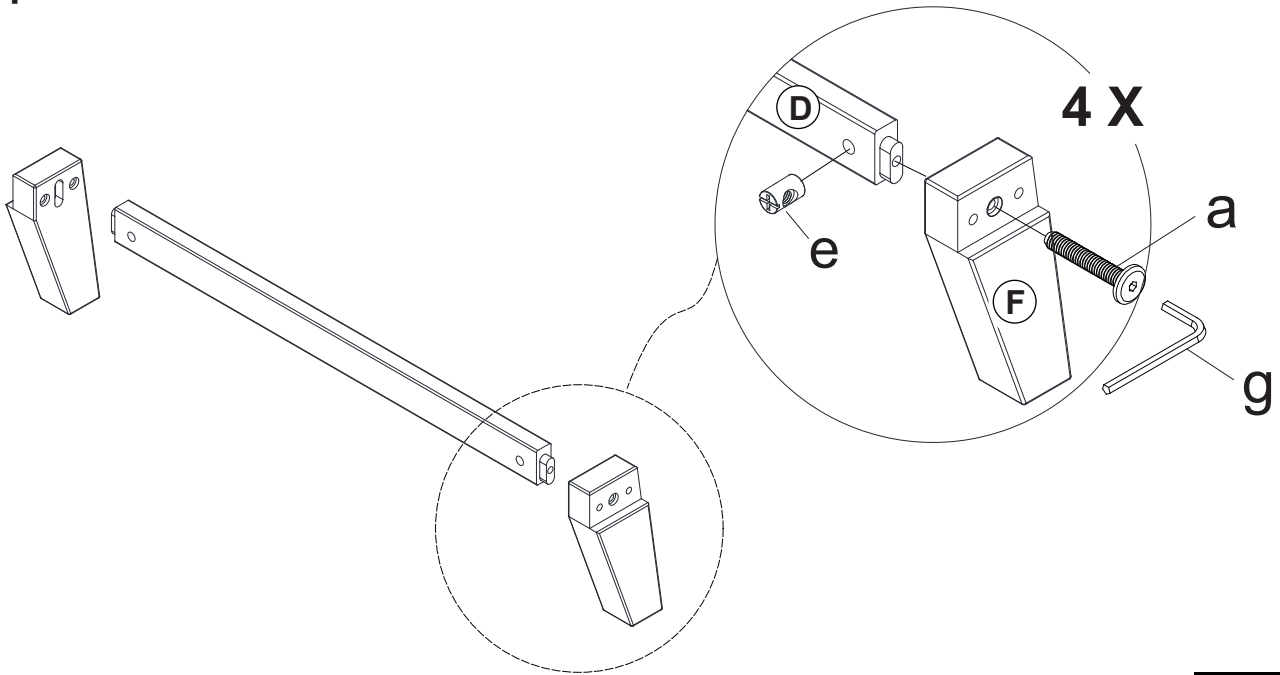


Figure 1:

Step 2

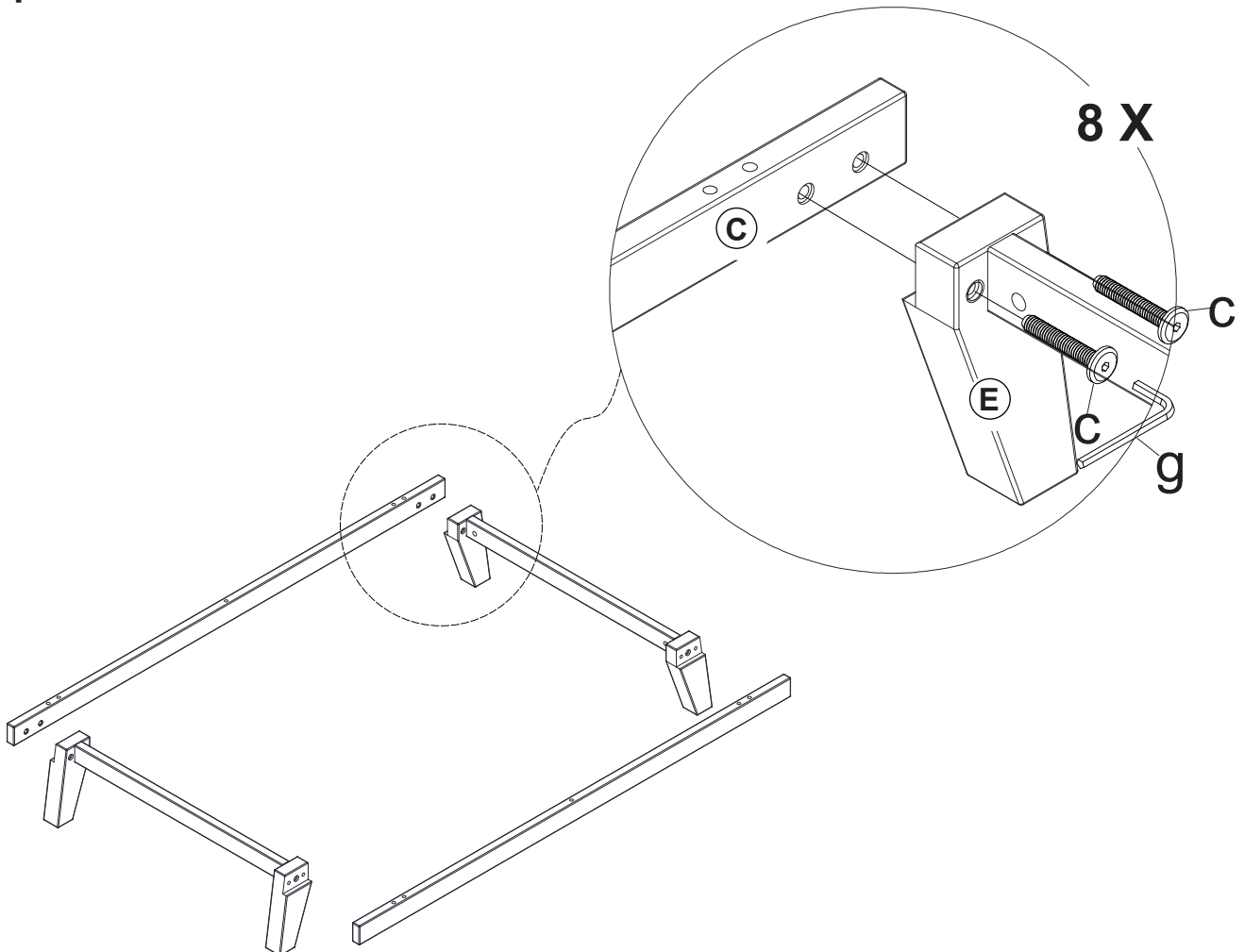


Figure 2:

Assembly Steps

Step 3

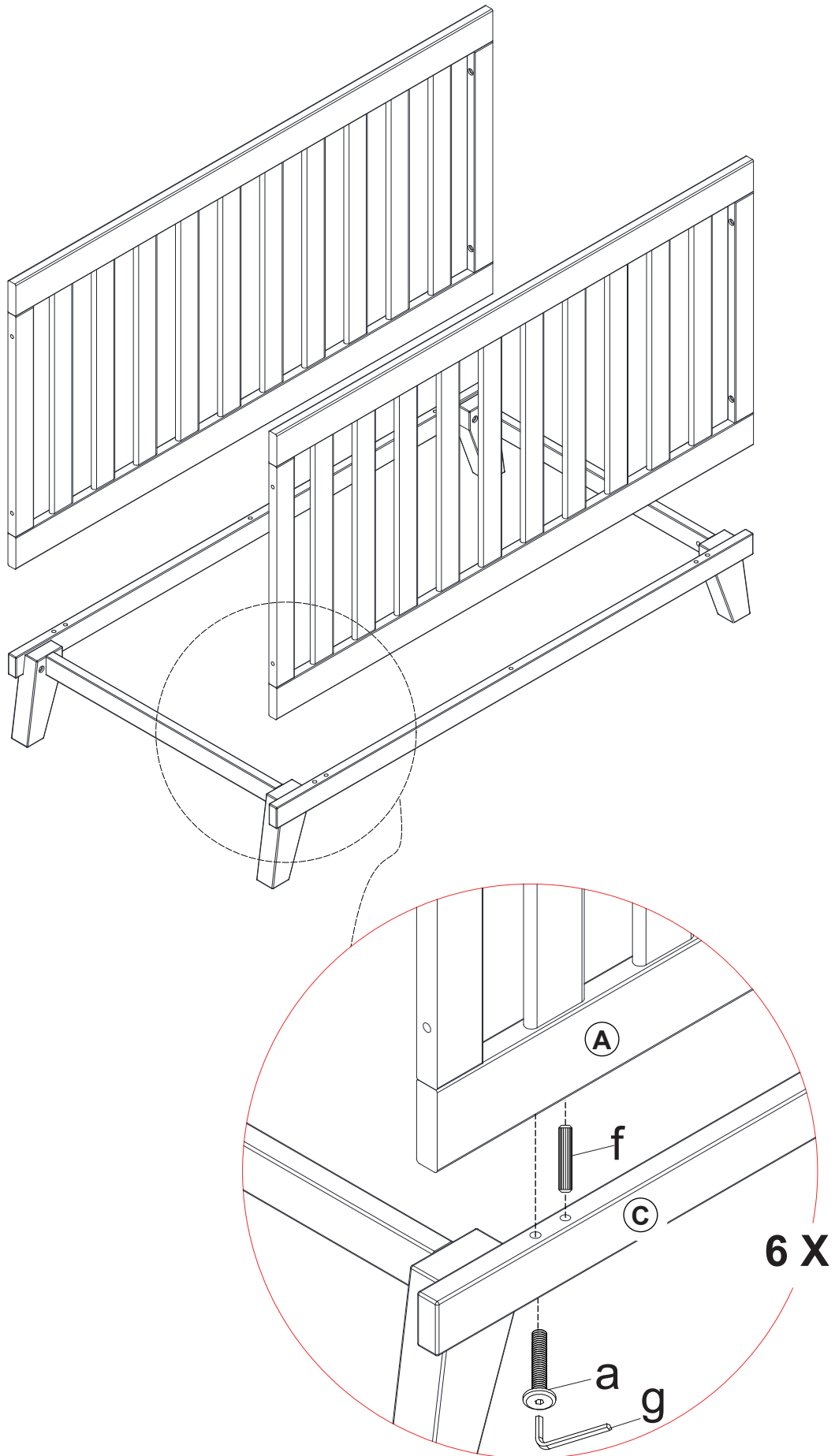


Figure 3:

Assembly Steps

Step 4

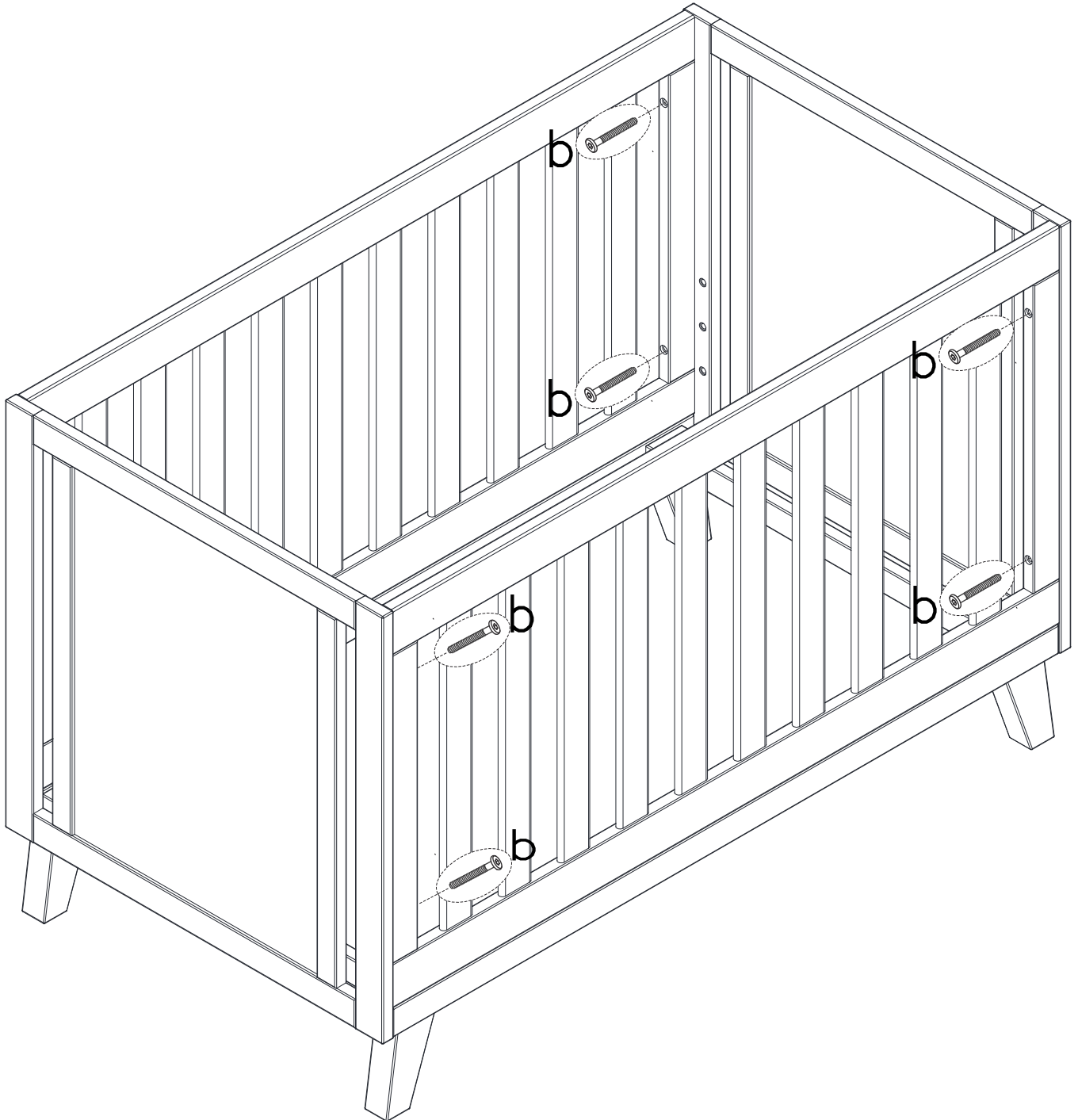
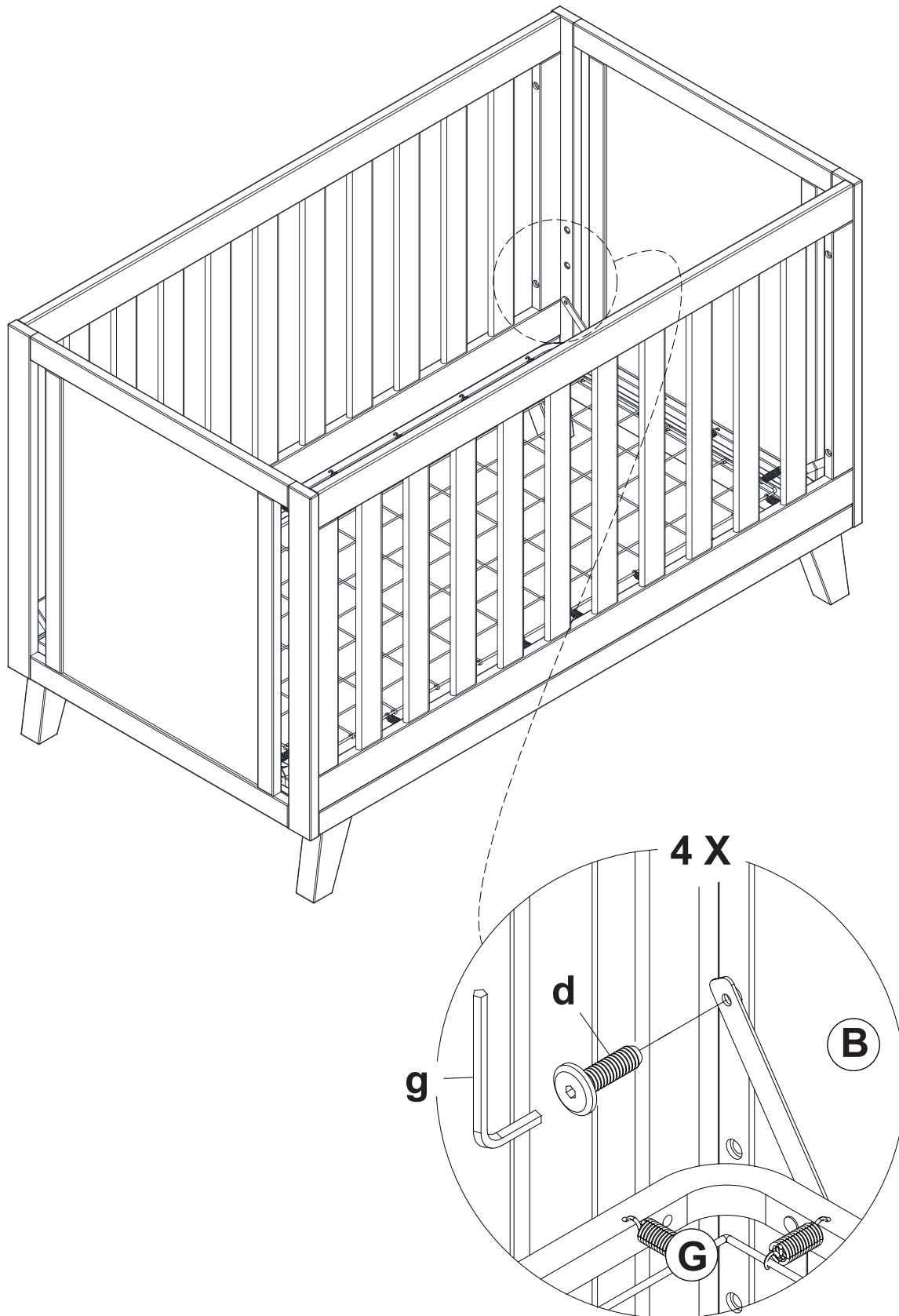


Figure 4:

Assembly Steps

Step 5



FINALLY CHECK

- PRIOR TO USING THE CRIB, ENSURE ALL BOLTS ARE TIGHTENED. DO NOT OVER TIGHTEN.
- ENSURE THAT THE MATTRESS IS THE RECOMMENDED SIZE.
- ENSURE THE MATTRESS BASE IS LOCATED AT THE CORRECT LEVEL TO SUIT THE CHILD.
- CRIB IS NOW READY FOR USE.

Figure 5: