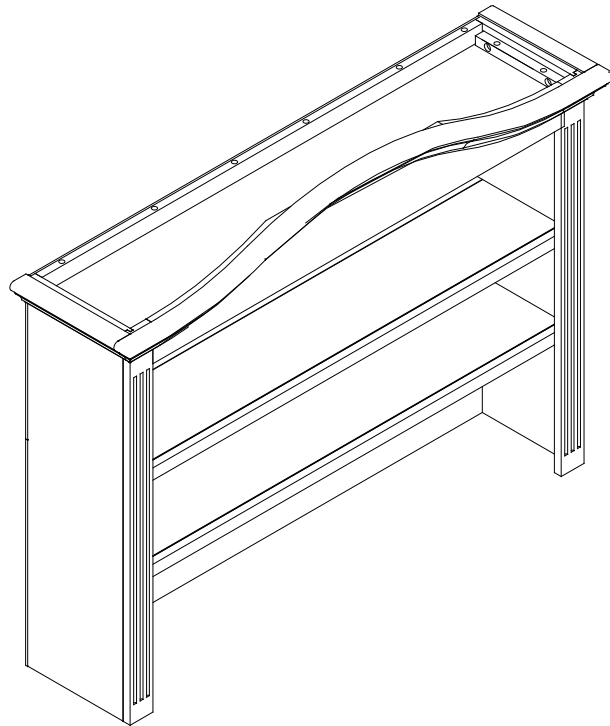




A Division of C & T International Inc.
46 Whelan Road East Rutherford, N. J. 07073 U. S. A.
Tel: +1 (201) 531 1919 Fax: +1 (201) 531 1920
Website: www.sorellefurniture.com

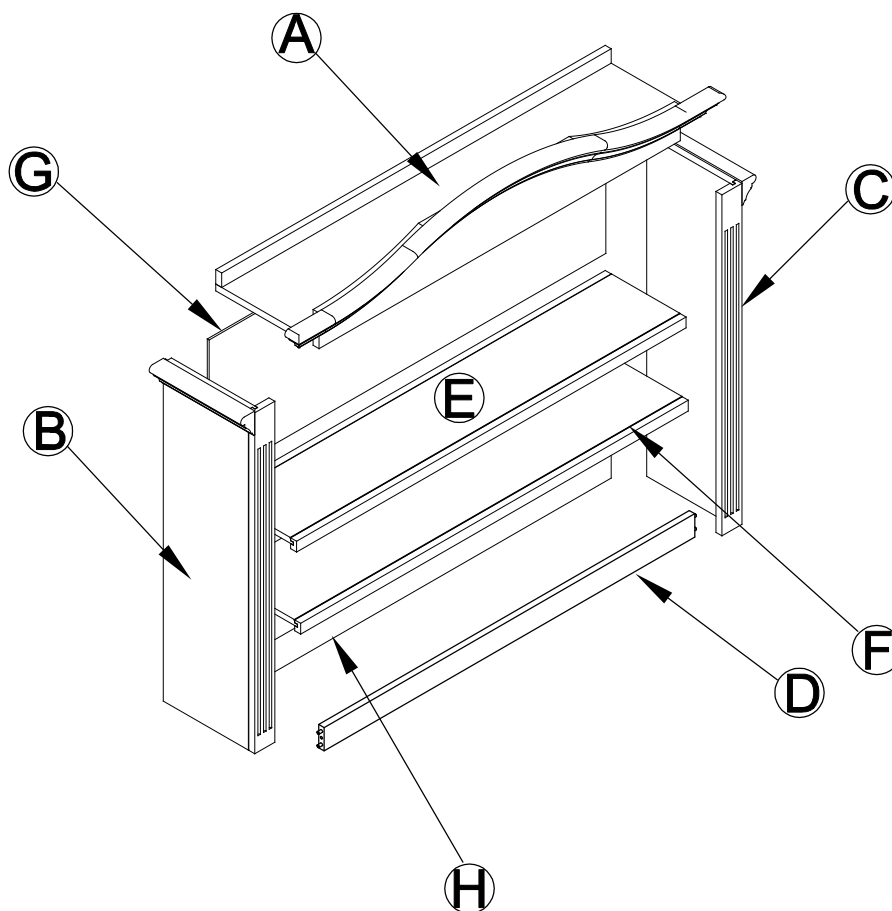


Providence Hutch

Important Information:

Before assembly, **read** these instructions. Make sure all preassembled parts are tight. Store this instruction manual for future reference.

Providence Hutch Assembly Parts



- (A) Top panel (1 pc)
- (B) Left Side panel (1 pcs)
- (C) Right Side panel (1 pcs)
- (D) Back- Bottom Rail (1pc)
- (E) Fixed Shelf (1 pc)

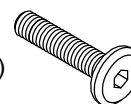
- (F) Adjustable Shelf (1 pc)
- (G) Upper Back Panel (1 pc)
- (H) Down Back Panel (1 pc)

Assembly Hardware

(a) Shelf Support (4 pcs)



(f) M6*25MM Allen Bolt (8 pcs)



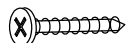
(b) Ø3.5 X 15mm Phillips Screw (4 pcs)



(g) Flat Washer (8 pcs)



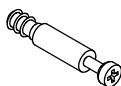
(c) Ø3.5 X 15mm Phillips Screw (46 pcs)



(h) Spring Washer (8 pcs)



(d) Cam Bolt (4 pcs)



(i) Allen Key (1 pc)



(e) Cam Lock (4 pcs)



Providence Hutch Assembly

- 1** Insert Four (4) Cam Bolt(d) to Side panel(B&C). See Figure 1.

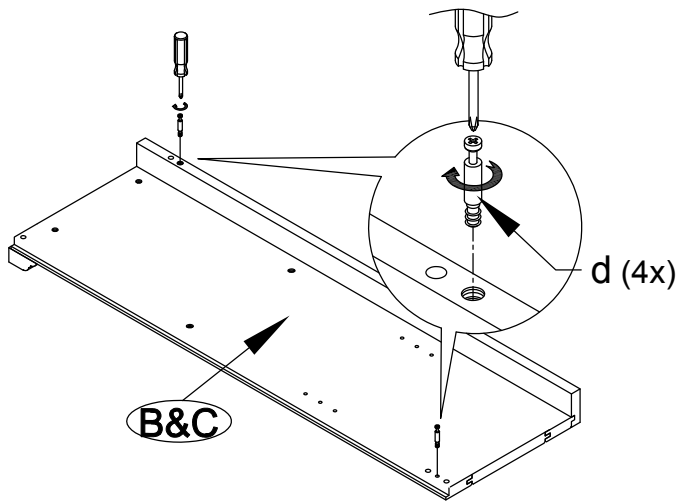


Figure 1.

- 2** Attach the Top panel(A)& the Back Bottom Rail(D) to Side panel(B&C) See Figure 2.

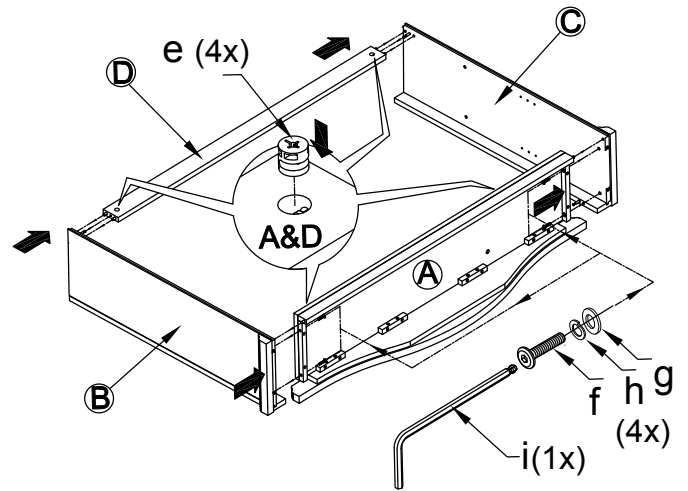


Figure 2.

- 3** Attach the Fixed Shelf (E) to Side panel(B&C) See Figure 3.

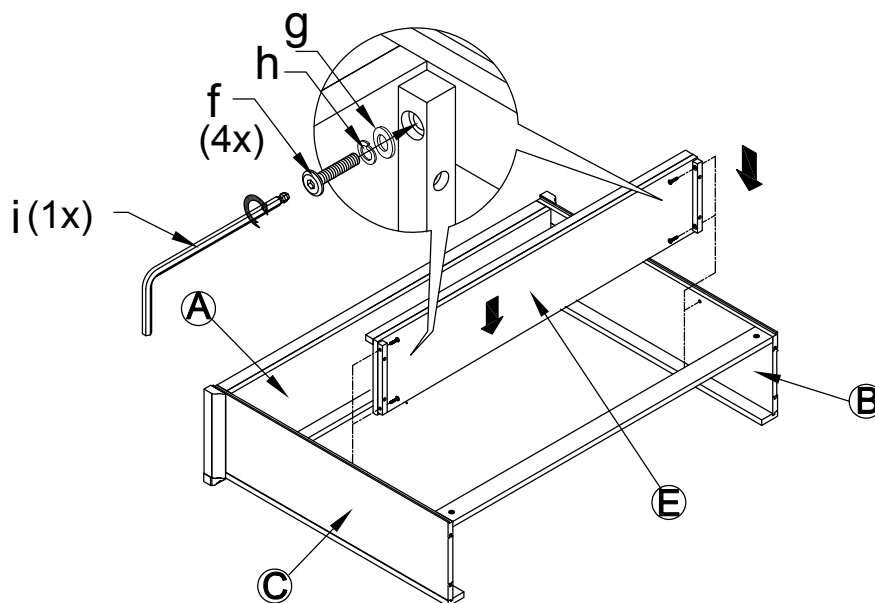
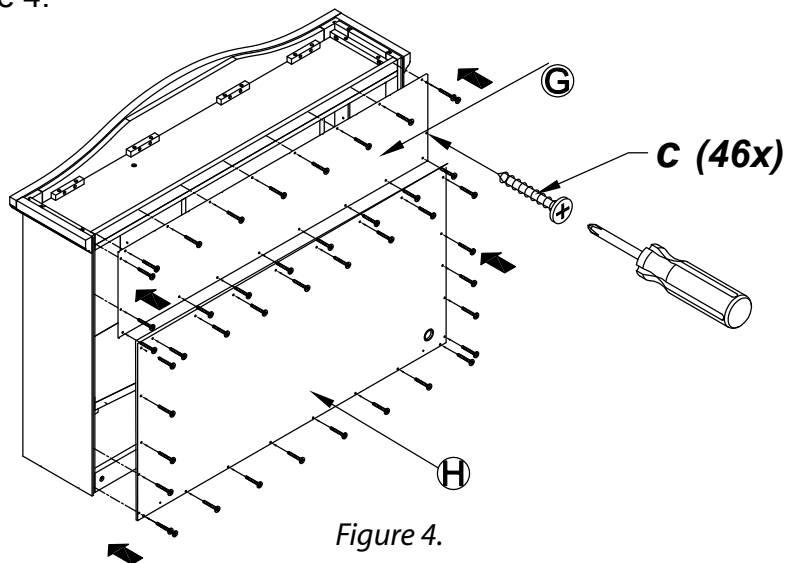


Figure 3.

Providence Hutch Assembly

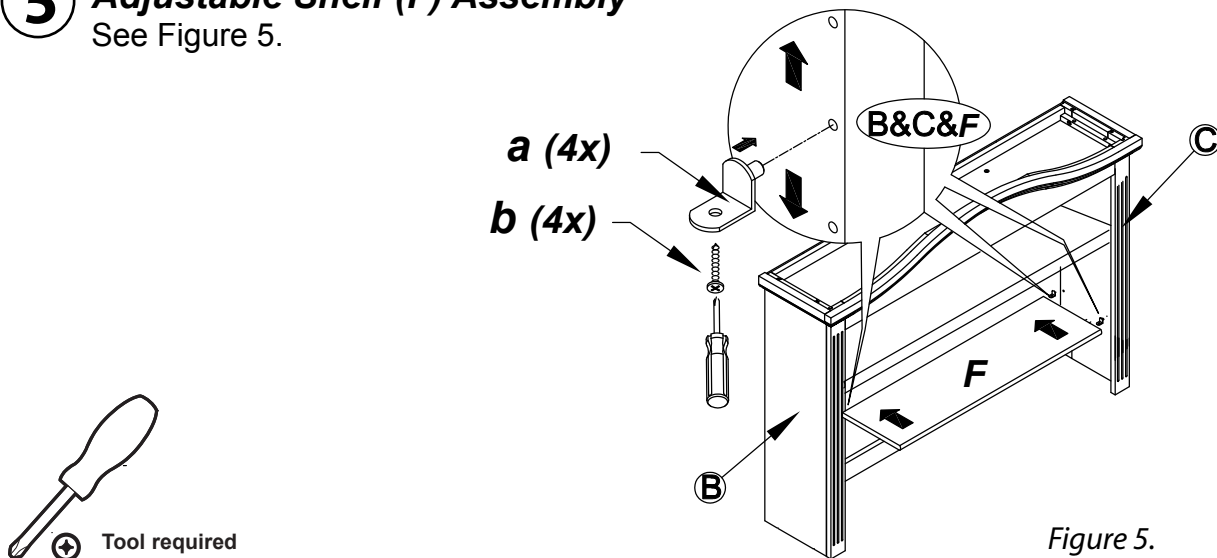
4 Back Panel Assembly

See Figure 4.



5 Adjustable Shelf (F) Assembly

See Figure 5.



6 Hutch with Combo

See Figure 6.

