



IMPORTED BY C&T International, Inc. / IMPORTE PAR de C&T International, Inc.

105 Stonehurst Ct Northvale, NJ 07647 U.S.A. Tel, 201- 531-1919 Fax, 201- 531-1920

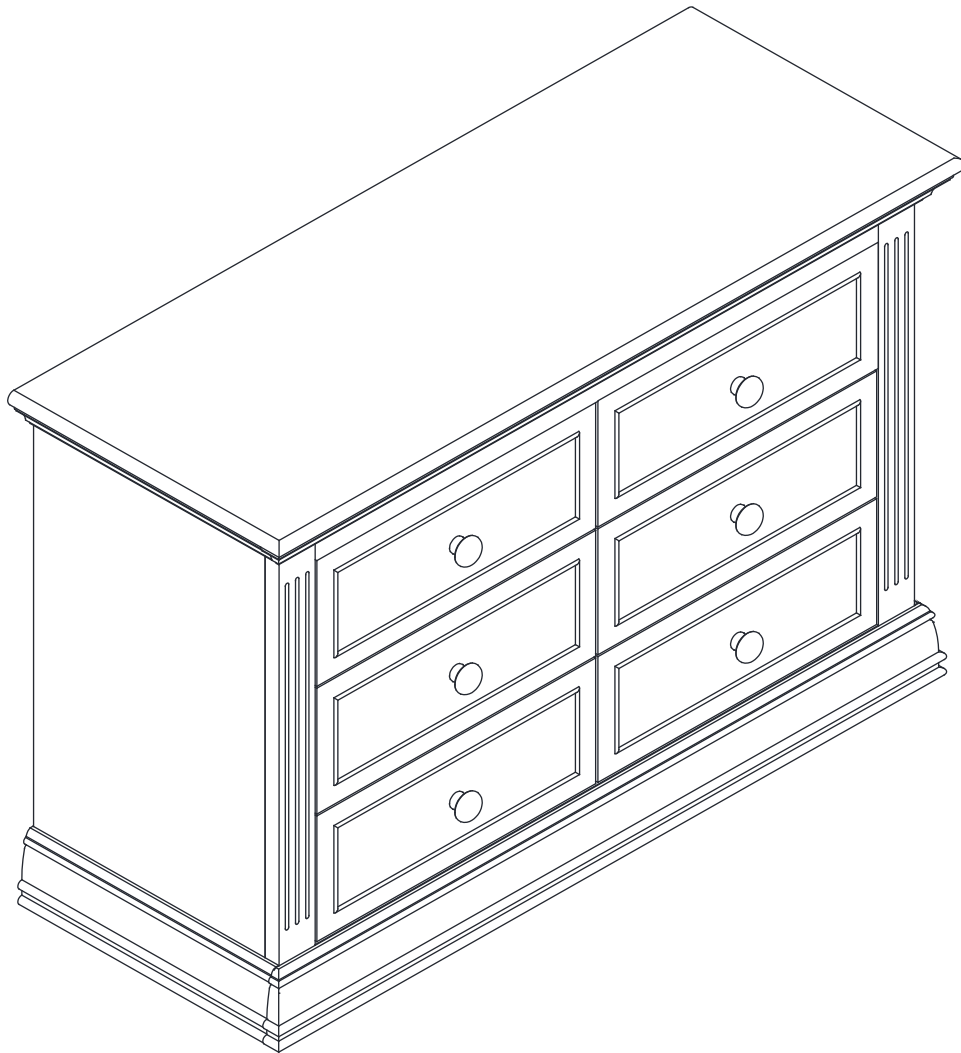
**CANADA ADDRESS:**

3453, DU PRESIDENT KENNEDY LAC MEGANTIC, QUEBEC, CANADA G6B 2Y4

Website: [www.sorellefurniture.com](http://www.sorellefurniture.com) / Site Internet : [www.sorellefurniture.com](http://www.sorellefurniture.com)

## **Paxton&Modesto Double Dresser**

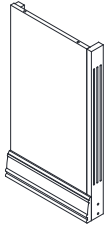
### **Assembly Instruction**



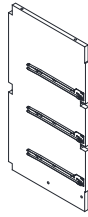
### **Important Information:**

Read all instructions **BEFORE** assembling.  
**KEEP INSTRUCTIONS FOR FUTURE USE.**

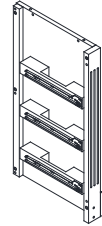
## Assembly Parts



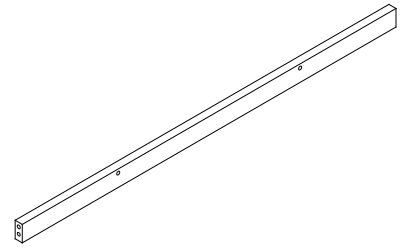
(A) Left Side Panel (x1)



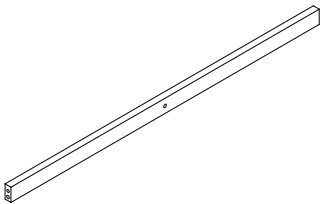
(B) Middle Panel (x1)



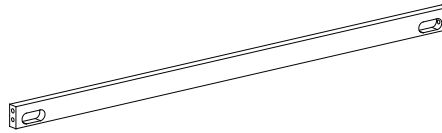
(C) Right Side Panel (x1)



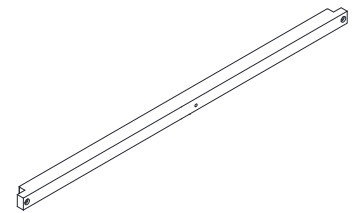
(D) Back -Top Rail (x1)



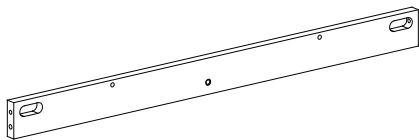
(E) Back- Middle Rail ( x1 )



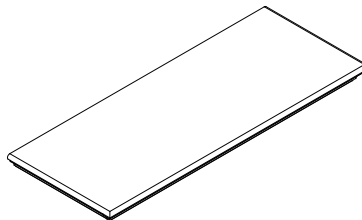
(F) Back - Bottom Rail ( x1 )



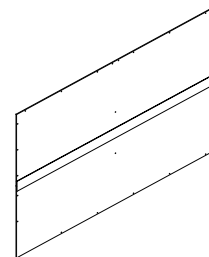
( G ) Front - Middle Rail ( x2 )



( H ) Front Top Rail ( x1 )



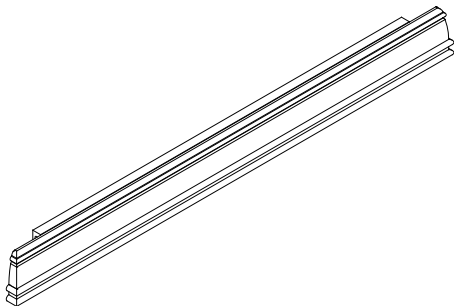
( I ) Top Frame ( x1 )



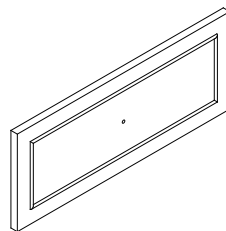
( J ) BackPanel ( x1 )



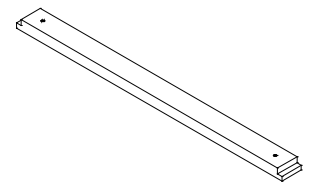
( K ) Center Leg ( x1 )



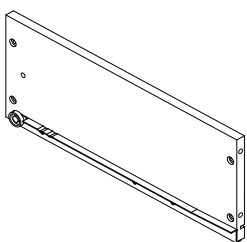
( L ) Front- Bottom Rail ( x1 )



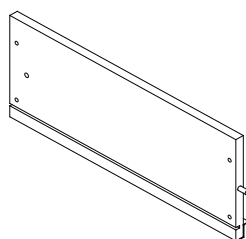
( R ) Drawer Front ( x6 )



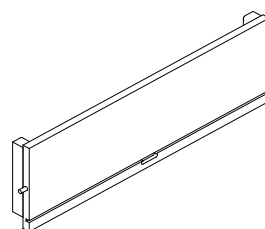
(R5) Drawer Bottom Support (x6)



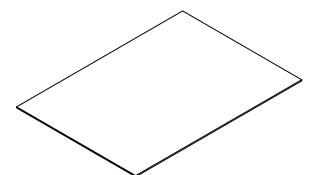
(R1) Drawer Left (x6)



(R2) Drawer Right (x6)



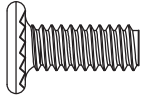
(R3) Drawer Back (x6)



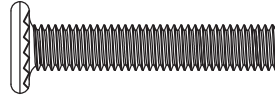
(R4) Drawer Bottom (x6)

**Assembly Parts**

**Hardware list**



(a) 1/4 x 15mm Allen bolt (4 pcs)



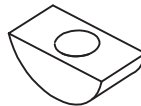
( b ) 1/4 x 32mm Allen bolt (19 pcs)



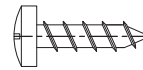
( c ) Flat Washer ( 13pc)



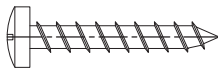
( d ) Spring Washer ( 23pcs)



( e ) Half moon washer (10 pcs)



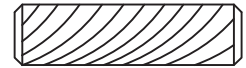
( f ) Ø4 X 15mm Phillips Screw (24 pcs)



(g ) Ø4 X 25mm Phillips Screw (48 pcs)



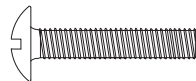
( h ) Ø3.5 X 12mm Screw (18 pcs)



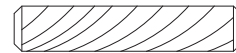
( i ) Ø8 X 30mm Wooden dowel (20 pcs)



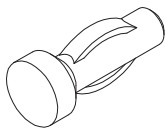
( j ) knob (6pcs)



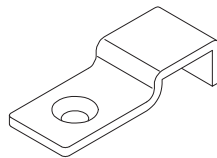
( k ) 5/32 Allen bolt (6pcs)



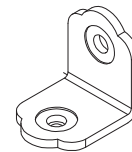
( m ) Ø6 X 30mm wooden dowel (24 pcs)



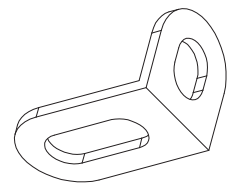
(n) plastic connector (10 pcs)



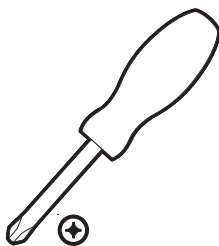
( o ) Metal Connector A ( 6 pcs)



( p ) Metal Connector B ( 6 pcs)



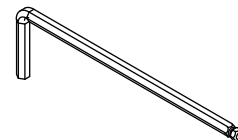
( q ) Metal Connector C ( 2 pcs)



( t ) Screwdriver (1 pc)



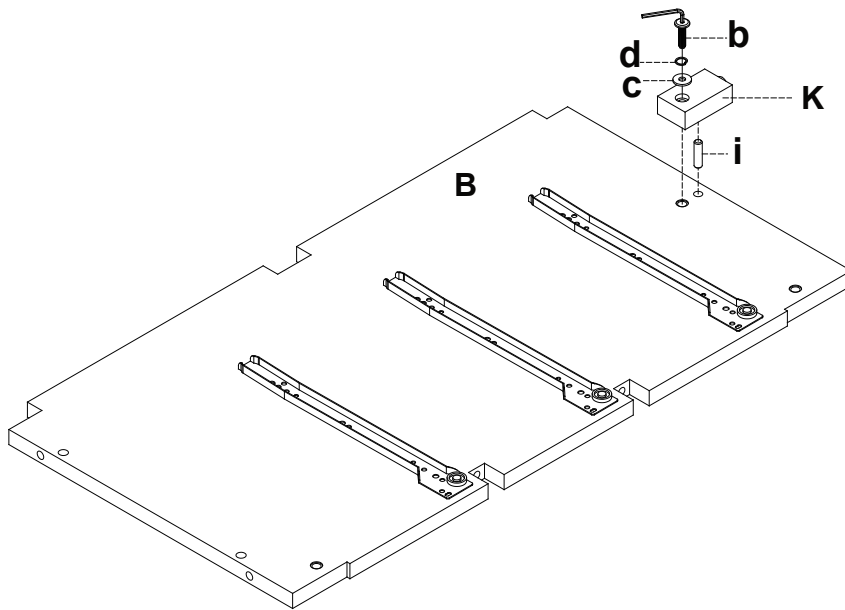
( r ) Wall Strap Kit (1 pc)



( s ) Allen Key (1 pc)

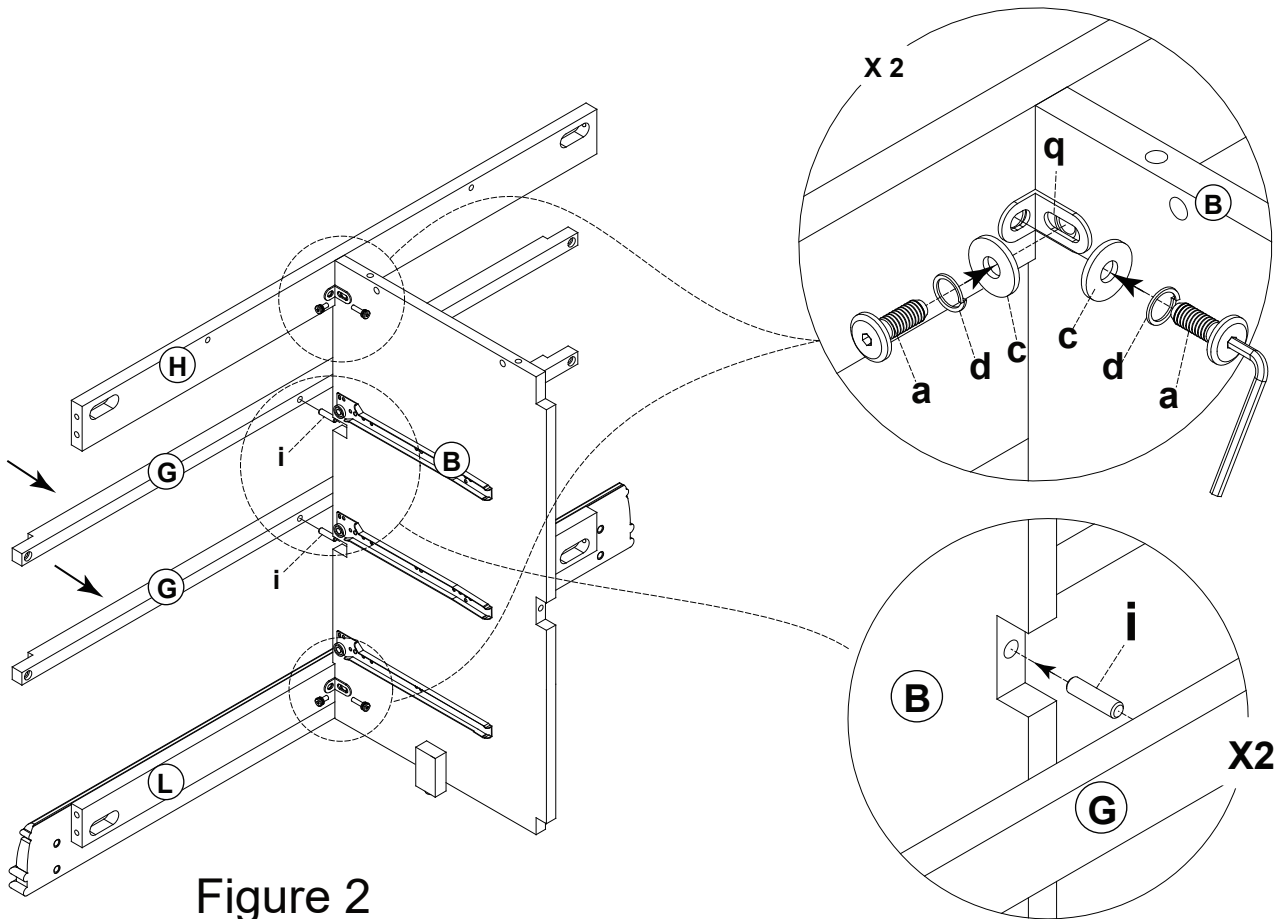
**Paxton&Modesto Double Dresser Assembly**

- 1 Attach center leg (K) to Middle panel (B) as Figure 1.



**Figure 1**

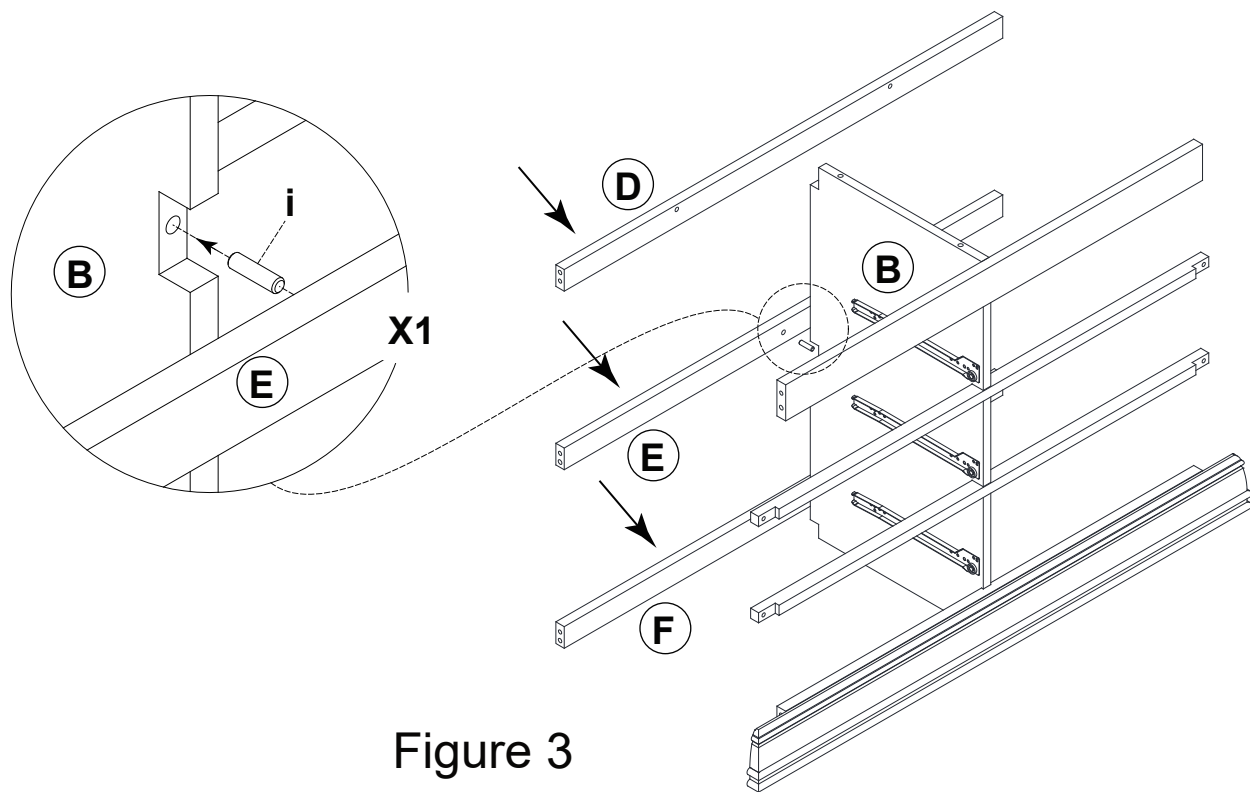
- 2 Attach Front Rails (H&G&L) to Middle panel (B) as Figure 2.



**Figure 2**

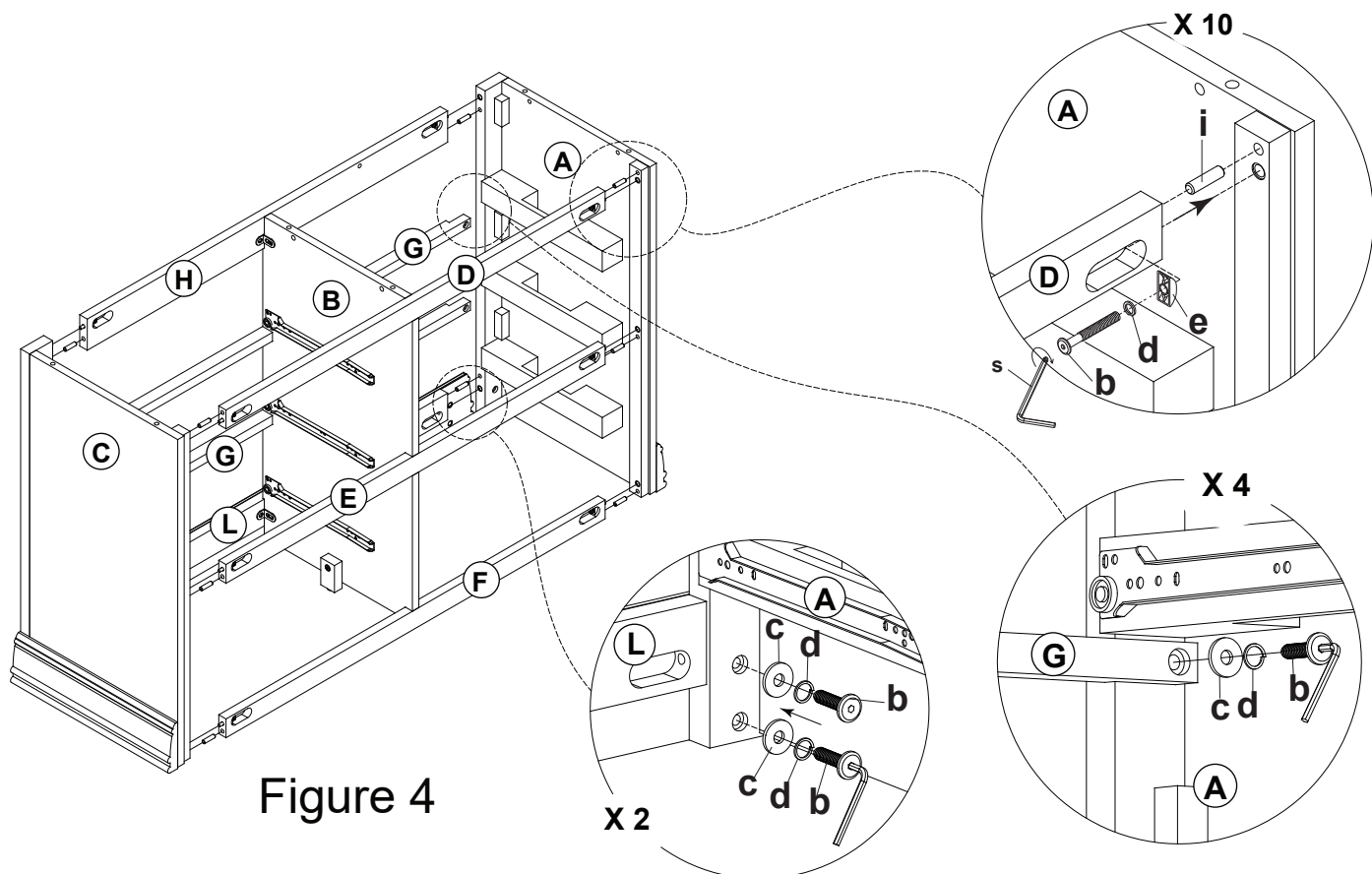
**Paxton&Medesto Double Dresser Assembly**

**3** Attach Back Rails(D&E&F) to Middle Panel(B) as Figure 3.



**Figure 3**

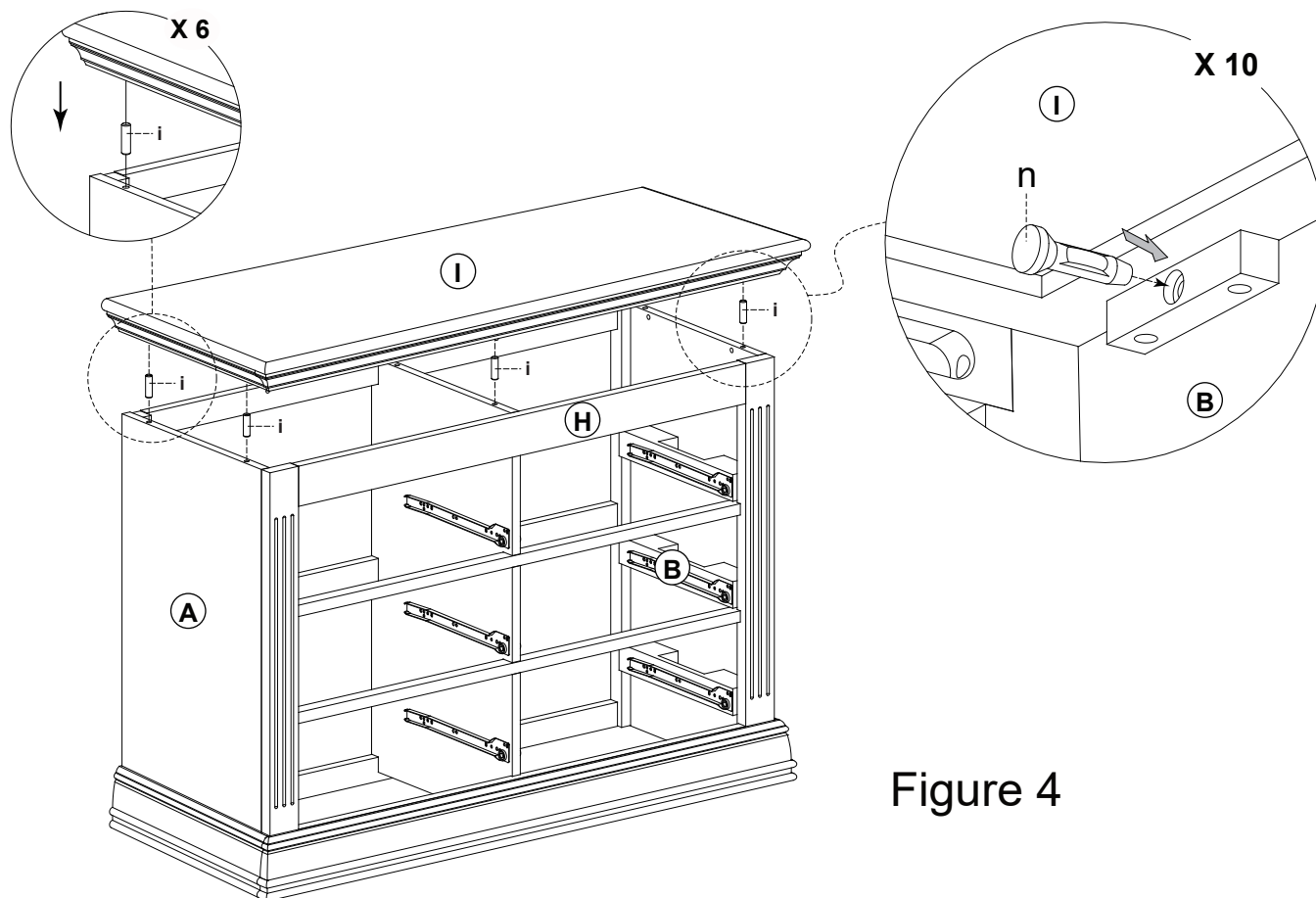
**4** Attach Left side panel(C) and Right side panel (A) to Rails as Figure 4.



**Figure 4**

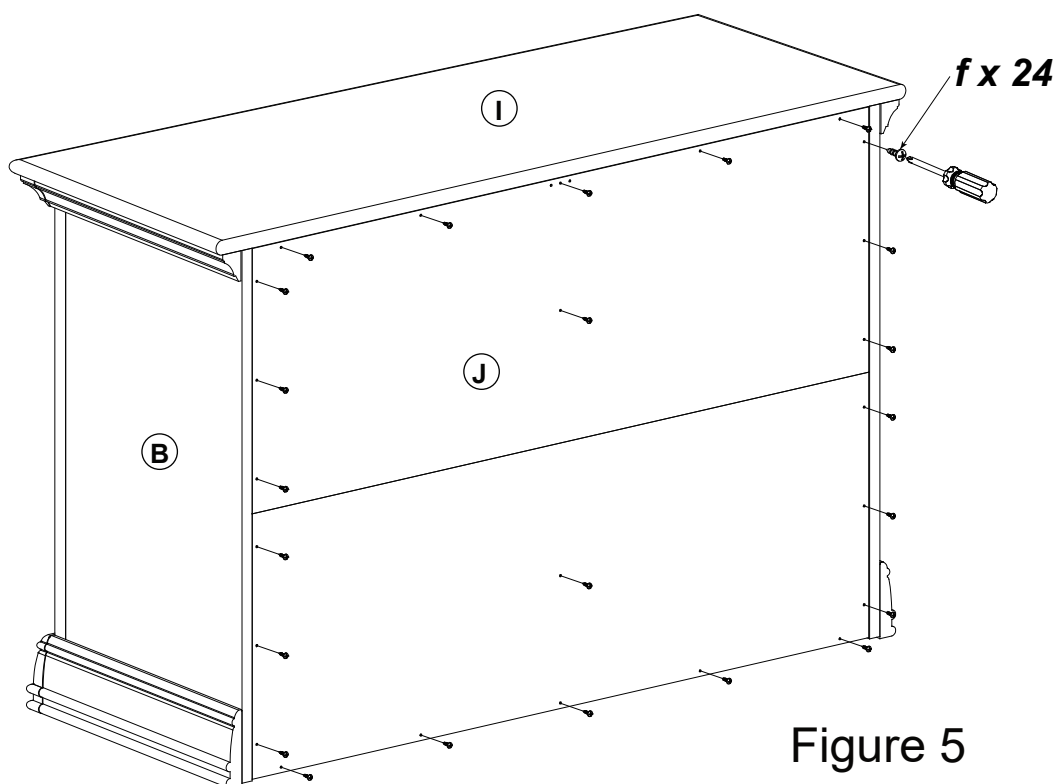
**Paxton&Medesto Double Dresser Assembly**

**4** Attach Top Frame (I) to Dresser as Figure 4.



**Figure 4**

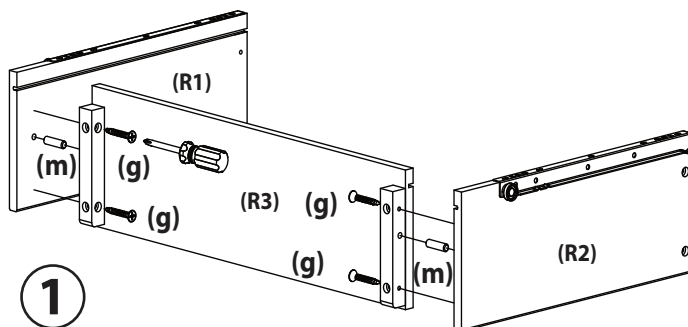
**5** Attach Back- Upper Panel (J) to Dresser using 24 Phillips Screws (f) as Figure 5.



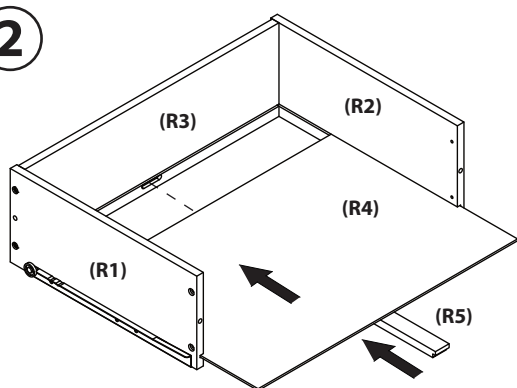
**Figure 5**

## Drawer Assembly

1. Working on a padded flat surface, attach Drawer Sides (R1&R2) to Drawer Back (R3) with Drawer Screw (g). *Figure 1*

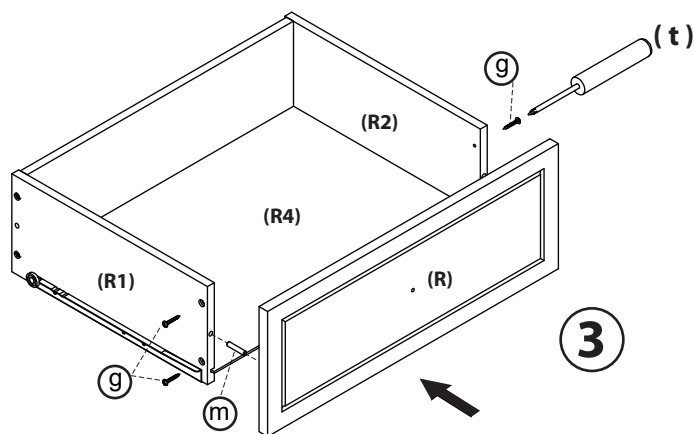


2

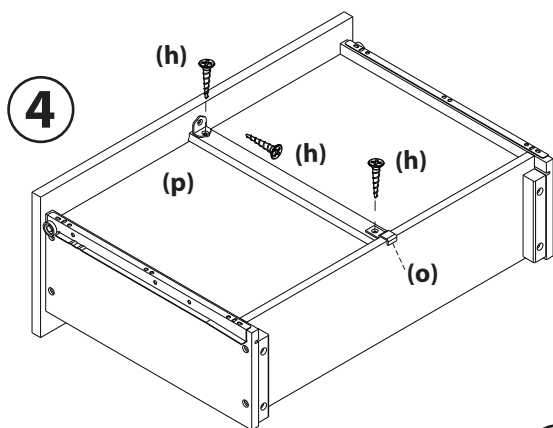


2. Sliding the drawer bottom into the groove on the drawer side panels (R1&R2) & the drawer back panel (R3). Then Insert the drawer bottom support (R5) into the opening on the drawer back panel (R3) as Figure 2.

3. Assembly the Drawer Front Panel (R) as Figure 3.



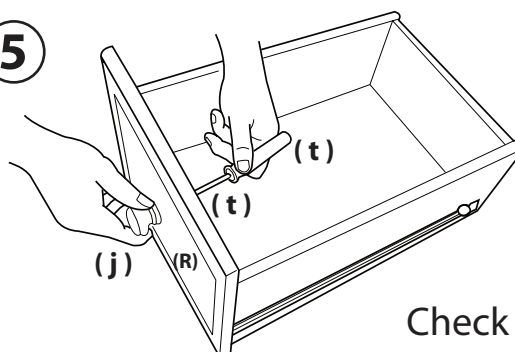
4



4. Attach Metal Connector A (o) and Metal Connector B (p). *Figure 4*

5. Install the Knob (j) on Drawer Front Panel (R) as Figure 5

5



**Repeat for all drawers.  
Set drawers aside for  
later use.**

Check all screws for  
tightness.

## Paxton&amp;Medesto Double Dresser Assembly

- ⑥ Assembly the drawer as Figure 6.

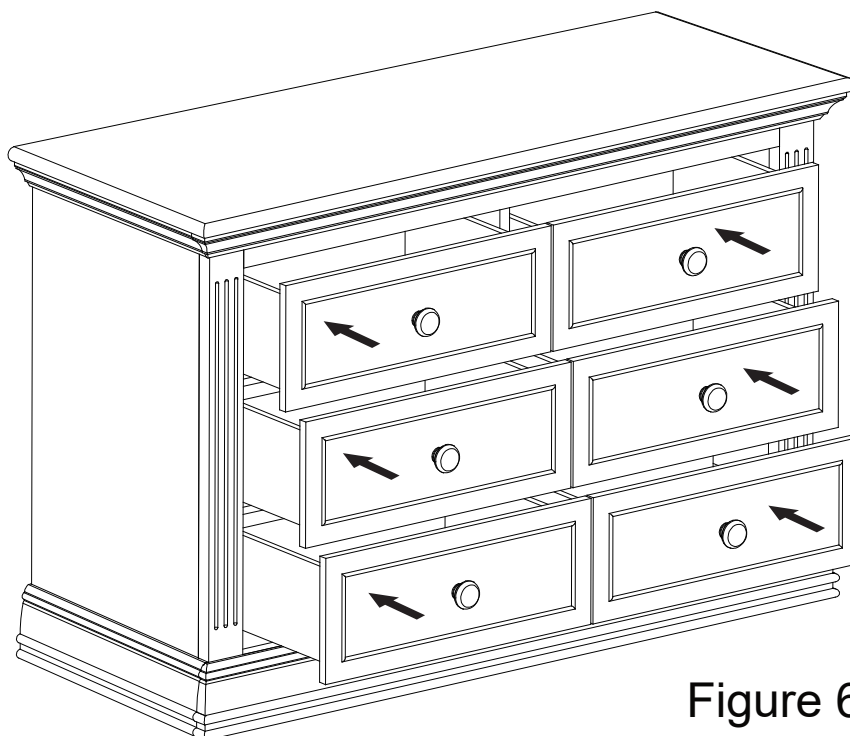


Figure 6

**NOTES ON ASSEMBLY:**

-During the assembly process whenever using screws or bolts, check each by placing the screw/bolt on the diagram of the item which is drawn actual size and design. Be sure to use the proper size and shape specified in the instructions.

-To assemble this unit you may be required to place the unit on it's side and face. It is strongly recommended that assembly is done on a soft, non-abrasive surface to avoid damaging the finish.

**NOTES ON USE:**

Keep children and others safe by following these simple rules:

- **Do not** allow any child to play on furniture
- **Do not** allow climbing on any piece of furniture.
- **Do not** allow hanging from any piece of furniture.
- Always monitor your child's activity when in the nursery.

**NOTES ON CARE AND MAINTENANCE:**

- **Do not** scratch or chip the finish.
- Inspect the product periodically, contact C&T International Inc. for replacement parts or questions.
- **Do not** store the product or any parts in extreme temperatures and conditions such as a hot attic or a damp, cold basement. These extremes can cause a loss of structural integrity.
- To preserve the luster of the high quality finish on your product, it is recommended to place a doily or felt pad under any items you place on the finish.
- Clean with a damp cloth, then a dry cloth to preserve the original luster and beauty of this fine finish.
- Do not** use abrasive chemicals.
- Do not** spray cleaners directly onto furniture.
- Lift slightly when moving on carpeting to prevent leg breakage.
- Use of a vaporizer near furniture will cause wood to swell and finish to peel.